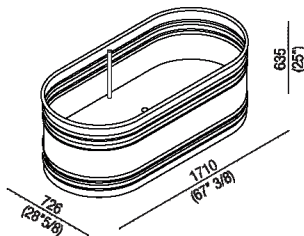




Bathtub
 AVAS0911_

Patricia Urquiola, 2008

Steel free-standing bathtub, restyling of the old-fashioned baths.



Finishes

-  White
-  White/dark grey
-  White/light grey

Materials

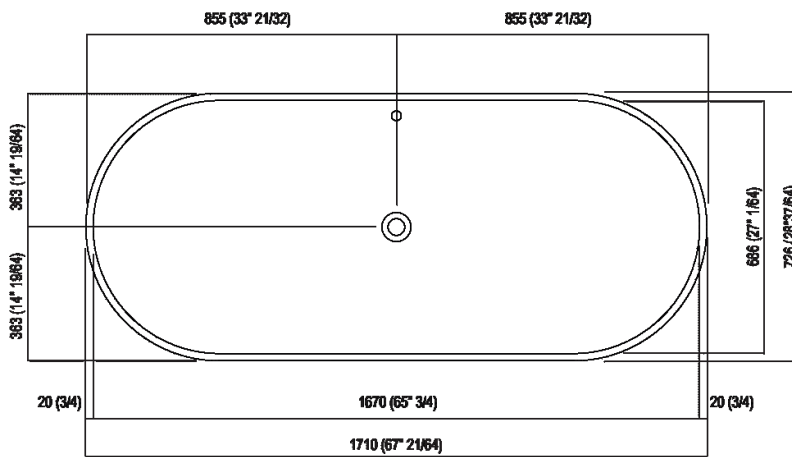
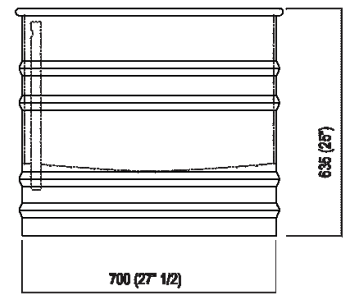
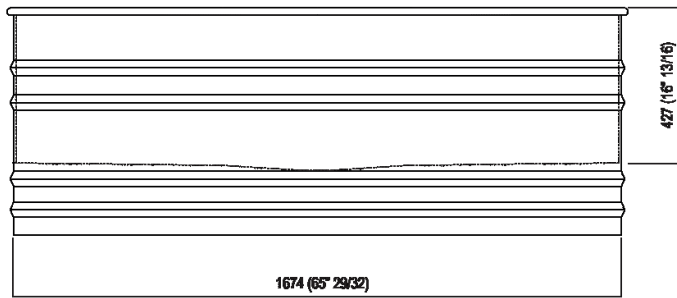
-  Steel

Oval steel bathtub painted white (RAL9003) with dark grey (RAL7021) or light grey (RAL7044) exterior. With external overflow system painted white. Backrest and shelf in iroko wood available as accessories, to be installed on bathtub edge. The two-coloured model can be made in a colour chosen by the client, price to be calculated. The bath must be fitted with waste trap .MET0433WU (.MET0434 for bathtubs on display).

Height:	63.5 cm	25" inches
Length:	171 cm	67" 3/8 inches
Weight:	85 kg	187 lbs
Depth:	72.6 cm	28" 5/8 inches
Capacity:	370 l	98 gal
Packaging:	87 x 185 x 70 cm	34" 2/8 x 72" 7/8 x 27" 4/8 inches
Total weight:	115 kg	254 lbs

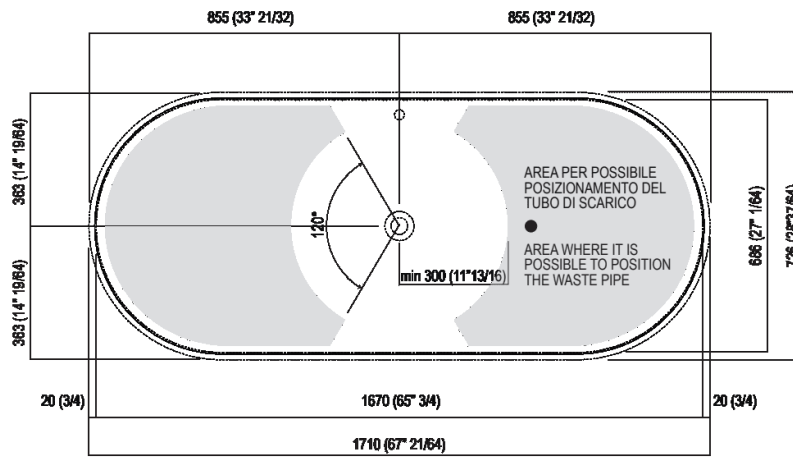


Main dimensions



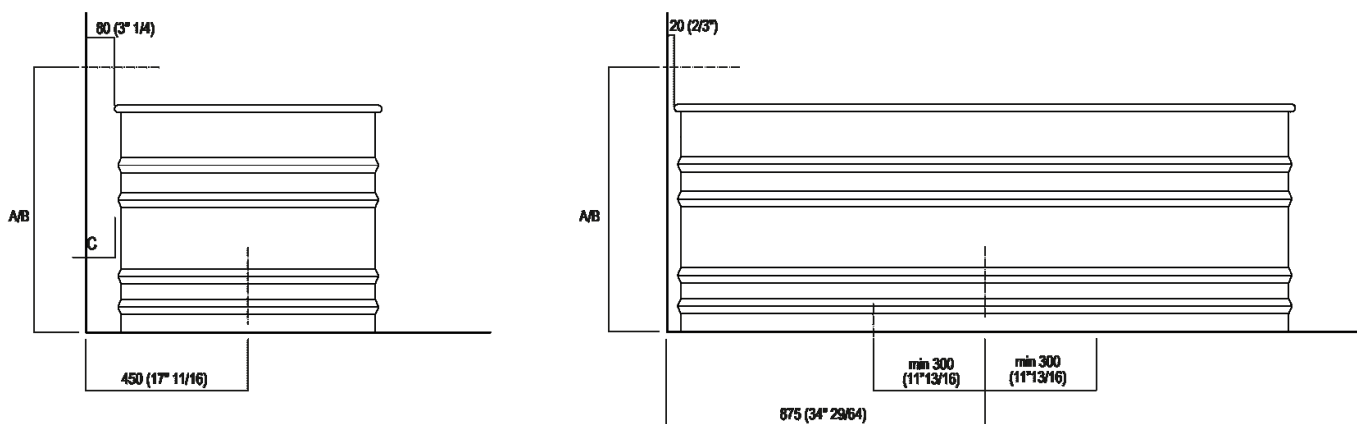


Drain pipe position





Dimensions for wall mounted taps

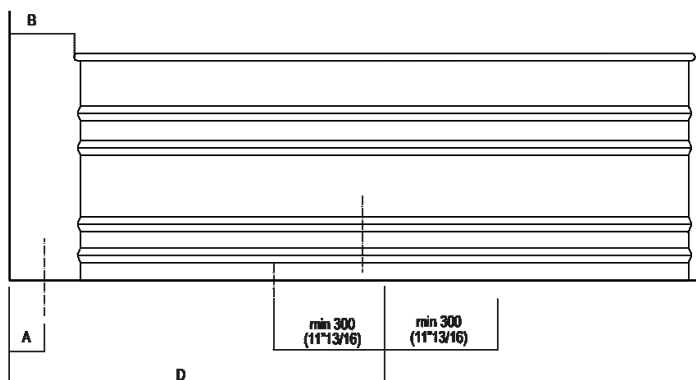
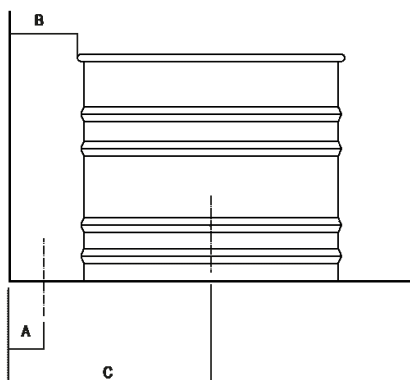


	A*	B**	C
FEZ 2 (EFEZ027)	730 (28 ⁴⁷ /64)	-	80 (3 ⁵ /32)
LIMÓN (ELIM443)	730 (28 ⁴⁷ /64)	-	80 (3 ⁵ /32)
MEMORY (EMEM324, EMEM343)	730 (28 ⁴⁷ /64)	-	80 (3 ⁵ /32)
(EMEM 342)	730 (28 ⁴⁷ /64)	-	50 (1 ³¹ /32)
MEMORY MIX (EMIX437)	730 (28 ⁴⁷ /64)	-	50 (1 ³¹ /32)
SQUARE (ERUB1117)	-	730 (28 ⁴⁷ /64)	50 (1 ³¹ /32)
(ERUB1118)	-	730 (28 ⁴⁷ /64)	80 (3 ⁵ /32)
SEN (ESEN0912V)	-	780 (30 ⁴⁵ /64)	50 (1 ³¹ /32)

* insegnese gruppo / axial distance for tap
 ** filo inferiore gruppo / Tap's lower edge



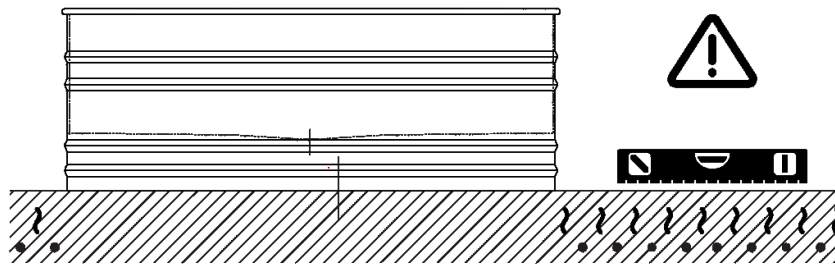
Dimensions for freestanding spouts



	A	B	C	D
FEZ 2 (EFEZ026, .MET855) (EFEZ028)	90 (3"35/64) 135 (5"5/16)	170 (6"11/16) 230 (9"1/6)	536 (21"7/64) 595 (23"27/64)	1025 (40"23/64) 1065 (41"59/64)
LIMÓN (ELIM425)	135 (5"5/16)	230 (9"1/6)	595 (23"27/64)	1065 (41"59/64)
MEMORY (EMEM325)	135 (5"5/16)	230 (9"1/6)	595 (23"27/64)	1065 (41"59/64)
MEMORY MIX (EMIX425)	135 (5"5/16)	230 (9"1/6)	595 (23"27/64)	1065 (41"59/64)
LIMÓN / MEMORY / MEMORY MIX (EMEM327)	90 (3"35/64)	210 (8"17/64)	560 (22"3/64)	1065 (41"59/64)
SQUARE (ERUB1112, ERUB01115)	90 (3"35/64)	170 (6"11/16)	536 (21"7/64)	1025 (40"23/64)
SEN (ESEN0911, ESEN0977)	90 (3"35/64)	140 (5"33/64)	515 (20"9/32)	1000 (39"3/8)



Note



**La vasca deve essere installata su un pavimento perfettamente piano.
The bathtub must be positioned on a flat floor surface.**

**Evitare di realizzare impianti di riscaldamento nell'area sottostante la vasca.
Avoid the installation of floor heating plants in the area under the bathtub.**