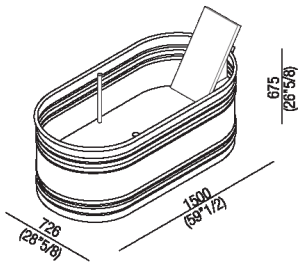




Bathtub with backrest in iroko  
 AVAS0912\_I

Patricia Urquiola, 2013

Steel free-standing bathtub of 155 cm length.



**Finishes**

-  White
-  White/dark grey
-  White/light grey

**Materials**

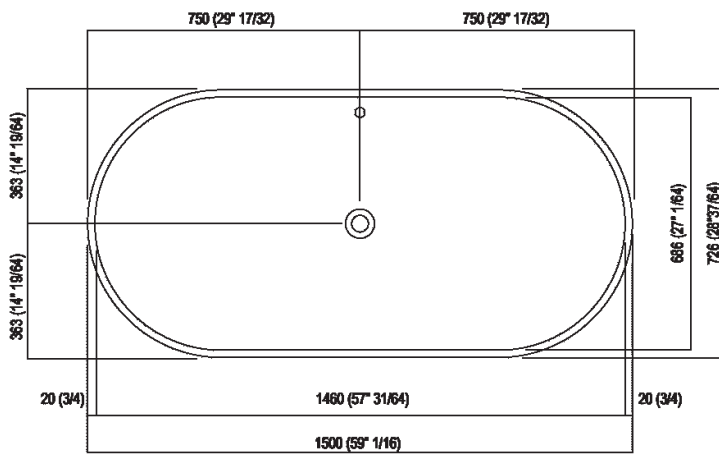
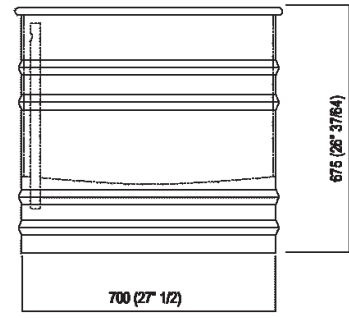
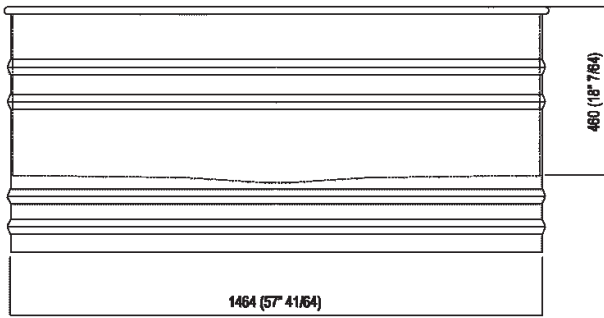
-  Steel

Oval steel bathtub painted white (RAL9003) with dark grey (RAL7021) or light grey (RAL7044) exterior. With external overflow system painted white. Available in two measures: Vieques (cm 171, h cm 62,5 - 67" 3/8, h 24" 5/8) and Vieques XS (cm 155, h cm 67,5 - 59" 1/2, h 26" 5/8). Backrest and shelf in iroko wood available as accessories, to be installed on bathtub edge. The two-coloured model can be made in a colour chosen by the client, price to be calculated. The bath must be fitted with waste trap .MET0433WU (.MET0434 for bathtubs on display).

Height:	67.5 cm	26" 5/8 inches
Length:	150 cm	59" 1/2 inches
Weight:	65 kg	143 lbs
Depth:	72.6 cm	28" 5/8 inches
Capacity:	320 l	85 gal
Packaging:	87 x 165 x 70 cm	34"1/4 x 65" x 27"1/2 inches
Total weight:	88 kg	195 lbs

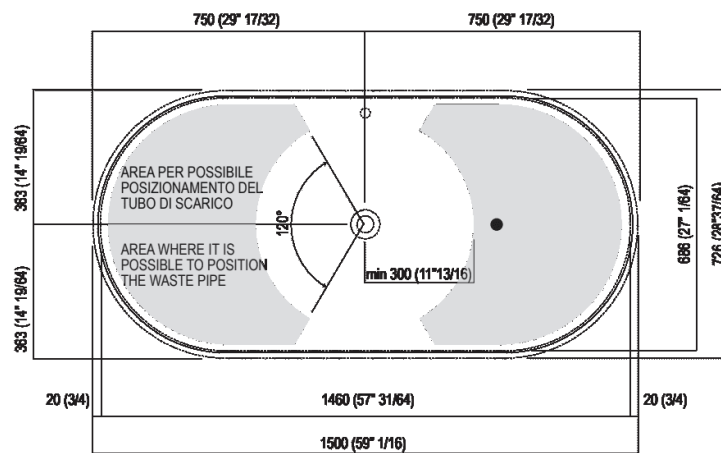


**Main dimensions**



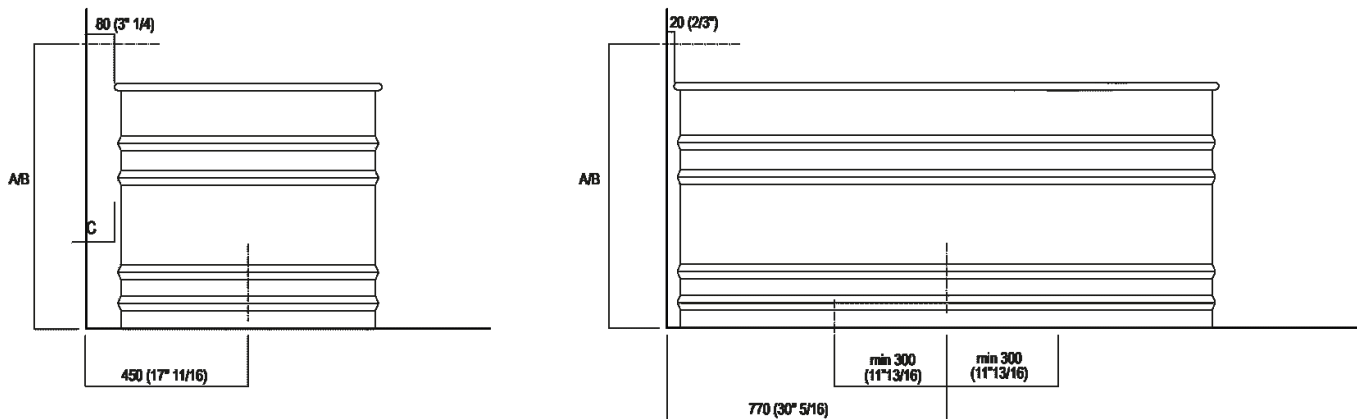


**Dimensions for recess**





Dimensions for wall mounted taps

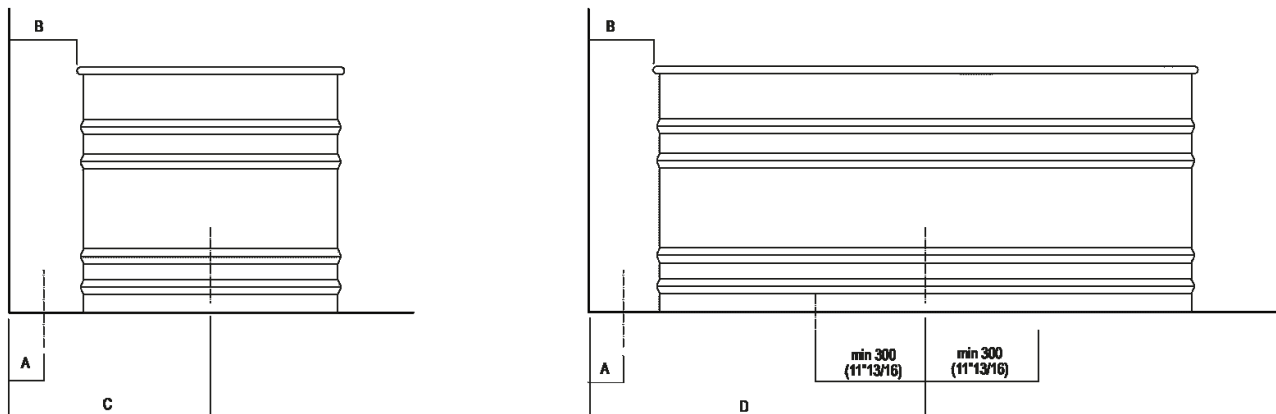


	A*	B**	C
FEZ 2 (EFEZ027)	780 (30*45/64)	-	80 (3*5/32)
LIMÓN (ELIM433)	780 (30*45/64)	-	80 (3*5/32)
MEMORY (EMEM324, EMEM343)	780 (30*45/64)	-	80 (3*5/32)
(EMEM342)	780 (30*45/64)	-	50 (1*31/32)
MEMORY MIX (EMIX437)	780 (30*45/64)	-	50 (1*31/32)
SQUARE (ARUB1117)	-	780 (30*45/64)	50 (1*31/32)
(ERUB1118)	-	780 (30*45/64)	80 (3*5/32)
SEN (ASEN0912V)	-	830 (32*43/64)	50 (1*31/32)

\* increase gruppo / axial distance for tap  
\*\* filo inferiore gruppo / Tap's lower edge



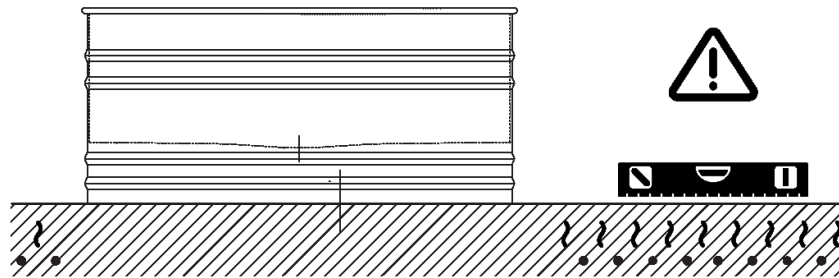
Dimensions for freestanding spouts



	A	B	C	D
FEZ 2 (EFEZ026, .MET855) (EFEZ028)	90 (3 <sup>35</sup> /64) 135 (5 <sup>5</sup> /16)	170 (6 <sup>11</sup> /16) 230 (9 <sup>1</sup> /6)	536 (21 <sup>7</sup> /64) 595 (23 <sup>27</sup> /64)	920 (36 <sup>7</sup> /32) 980 (38 <sup>37</sup> /64)
LIMÓN (ELIM425)	135 (5 <sup>5</sup> /16)	230 (9 <sup>1</sup> /6)	595 (23 <sup>27</sup> /64)	980 (38 <sup>37</sup> /64)
MEMORY (EMEM325)	135 (5 <sup>5</sup> /16)	230 (9 <sup>1</sup> /6)	595 (23 <sup>27</sup> /64)	980 (38 <sup>37</sup> /64)
MEMORY MIX (EMIX425)	135 (5 <sup>5</sup> /16)	230 (9 <sup>1</sup> /6)	595 (23 <sup>27</sup> /64)	980 (38 <sup>37</sup> /64)
LIMÓN / MEMORY / MEMORY MIX (EMEM327)	90 (3 <sup>35</sup> /64)	210 (8 <sup>17</sup> /64)	560 (22 <sup>3</sup> /64)	960 (37 <sup>51</sup> /64)
SQUARE (ERUB1112, ERUB1115,	90 (3 <sup>35</sup> /64)	170 (6 <sup>11</sup> /16)	536 (21 <sup>7</sup> /64)	920 (36 <sup>7</sup> /32)
SEN (ESEN0911, ESEN0977)	90 (3 <sup>35</sup> /64)	140 (5 <sup>33</sup> /64)	515 (20 <sup>9</sup> /32)	890 (35 <sup>3</sup> /64)



Notes



**La vasca deve essere installata su un pavimento perfettamente piano.  
The bathtub must be positioned on a flat floor surface.**

**Evitare di realizzare impianti di riscaldamento nell'area sottostante la vasca.  
Avoid the installation of floor heating plants in the area under the bathtub.**