

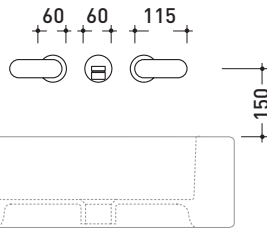
design **LUDOVICA+ROBERTO PALOMBA** and **SERGIO MORI** 2003

113060

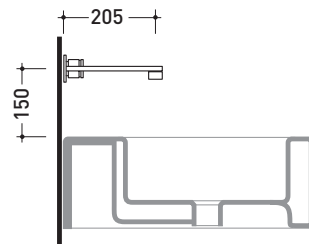
Wall-mounted double-lever basin mixer (stop&go drain included)

Complements: **Line accessories: TWO**
Line accessories: HOOP

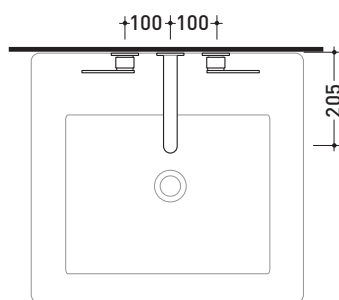
Package dim. **39 x 17 x 8 cm** | Weight **2,8 kg** | Pz. Pallet n° -



vista frontale / frontal view



vista laterale / lateral view



vista zenitale / zenital view

sizes in mm

BRASS: glossy finish

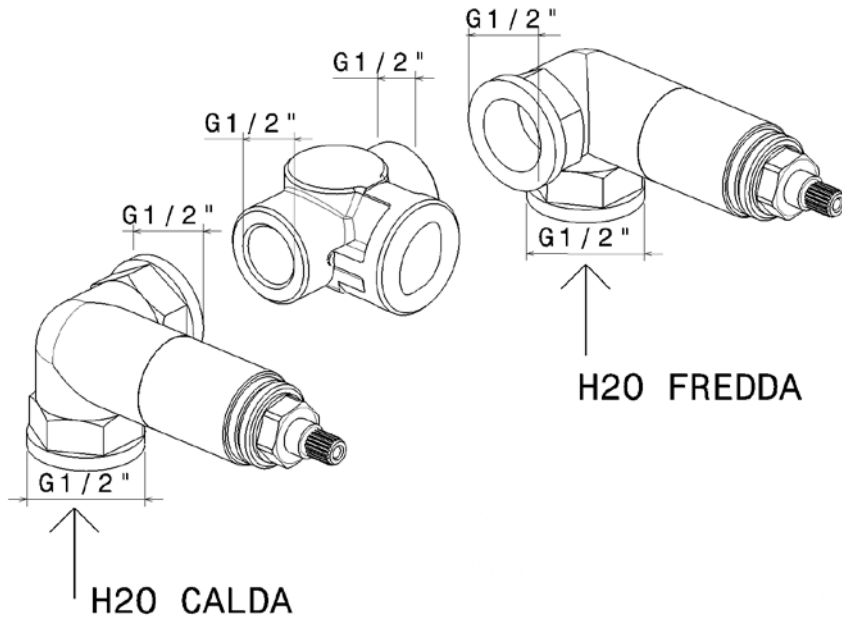


chrome

<http://www.ceramicaflaminia.it/en/products/307-one>

©ceramicaflaminiaspa - All rights reserved. Unauthorized copying, publication, reproduction as well as partial reproduction are prohibited

june 2019



VISTA DALL'ALTO

