



Enveloping armchair with structure in solid walnut, turned, assembled and sanded completely by hand. The structure is continuous to join base and seat, which is made of round and concave multilayer, covered with leather Camoscio and with exposed stitching.

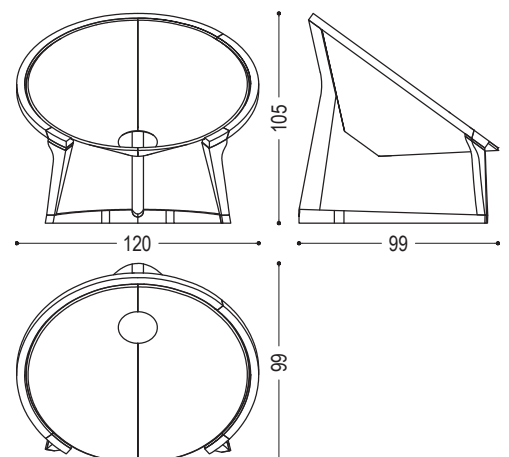
**STANDARD VERSION:** WALNUT AND LEATHER CAMOSCIO (D3)

CODE	SIZE	A1
YIN E YANG LOUNGE CHAIR	W.120 x D.99 x H.105	■

**AVAILABLE FINISHES:**

**A1:** walnut without knots

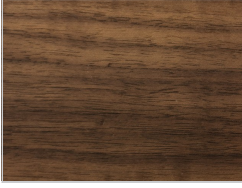
**D3:** leather: camoscio



# YIN & YANG COLLECTION LOUNGE CHAIR | AVAILABLE FINISHES

## WOOD

A1



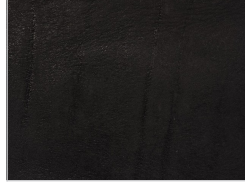
walnut without knots

## LEATHER / FABRIC

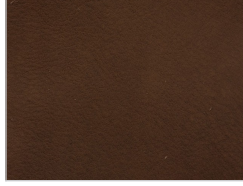
D3



Leather camoscio:  
1



Leather camoscio:  
10



Leather camoscio:  
11



Leather camoscio:  
26



Leather camoscio:  
27



Leather camoscio:  
28



Leather camoscio:  
31