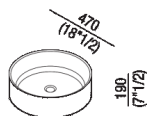








Over countertop washbasin  
 ACER1083\_

Angelo Mangiarotti, 2011 (1970)

Over countertop marble or Cristalplant®  
 biobased washbasin.



**Finishes**

-  White
-  White Carrara
-  Grey Carnico
-  Black Marquina

**Materials**

-  Cristalplant® biobased
-  Marble

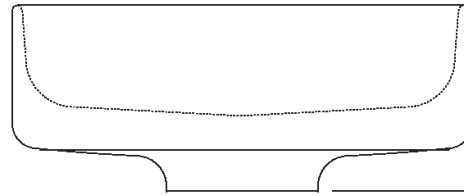
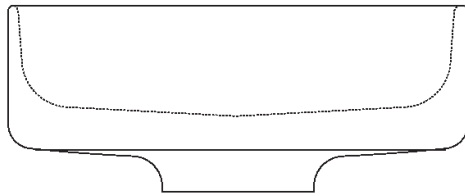
Round over countertop washbasin in white Carrara marble, grey carnico marble, black Marquina marble or in white Cristalplant® biobased with cylindrical segment shaped basin. No tap hole. No overflow. Designed to take waste .MET0563.

Height:	19 cm	7" 1/2 inches
Diameter:	47 cm	18" 1/2 inches
Weight:	9 kg	20 lbs
Packaging:	53 x 53 x 25 cm	20" 7/8 x 20" 7/8 x 9" 7/8 inches
Total weight:	10 kg	22 lbs

Note: The washbasin can be delivered also in stone or marble types on demand, price to be calculated. The above measurements refer to the Cristalplant® biobased version, for the marble version the measurements are: Weight: 53 lbs Packaging: 22" 1/2 x 22" 1/2 x 15" 3/4 Gross weight: 75 lbs



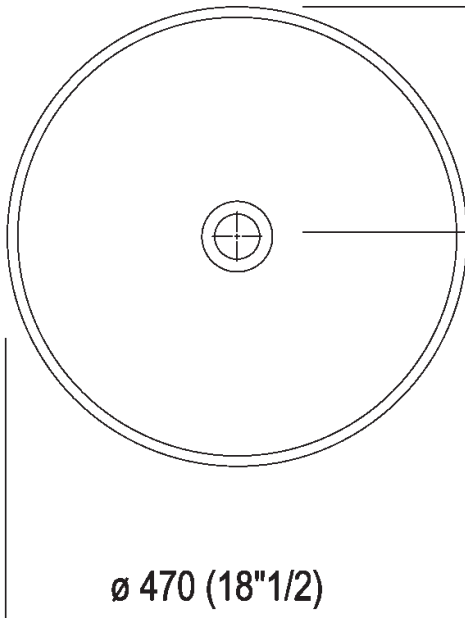
**Main dimensions**



145  
(5"45/64)

190 (7"1/2)

∅ 153  
(6"1/32)

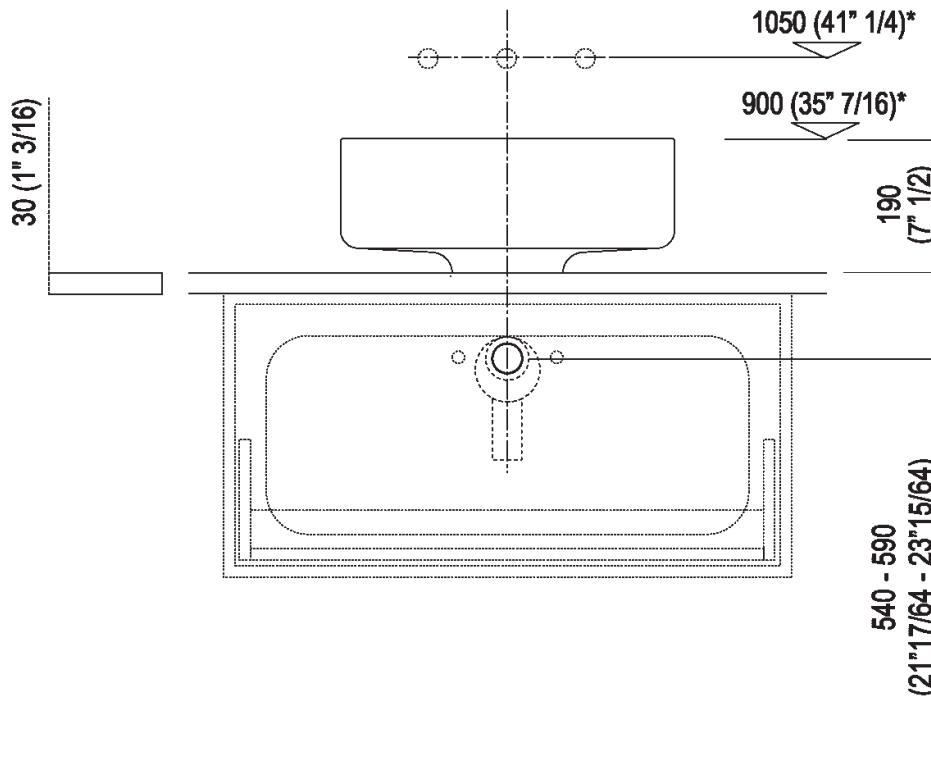


∅ 235 (9"5/8)

∅ 470 (18"1/2)



Installation notes: countertop to be rested on cabinet with thickness cm 3 (1"3/16)



**Scarico per sifone a bottiglia e ad incasso**  
**Drain for bottle trap and concealed waste trap**

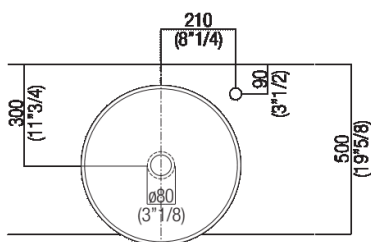
\*h.consigliata / advised h.



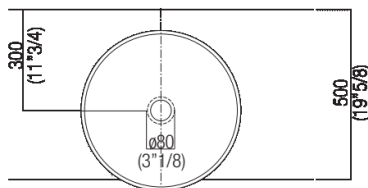
Holes for countertop washbasins and top mounted taps for top

**PIANO cm 50 / COUNTERTOP cm 50**

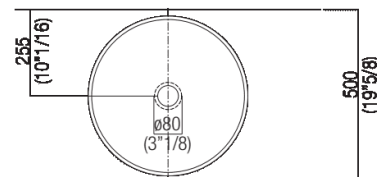
Posizione standard per rubinetto su piano  
Standard position for top mounted tap



Posizione standard per rubinetto a parete  
Standard position for wall mounted tap



Posizione speciale per rubinetto Sen a parete e Square con bocca curva  
Special position for wall mounted tap Sen and Square white curved spout

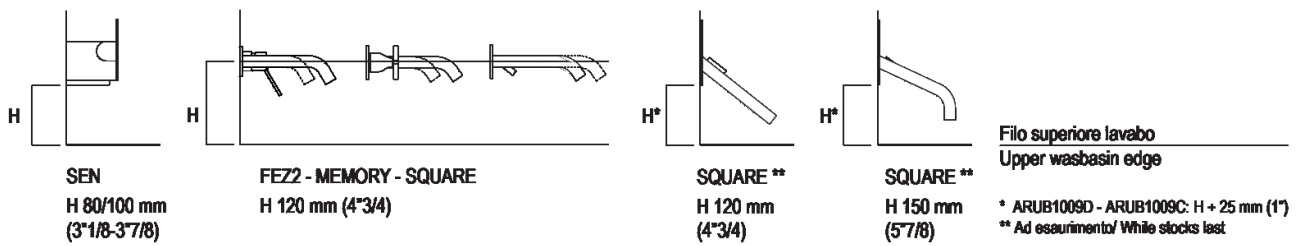




Tap position, recommended height

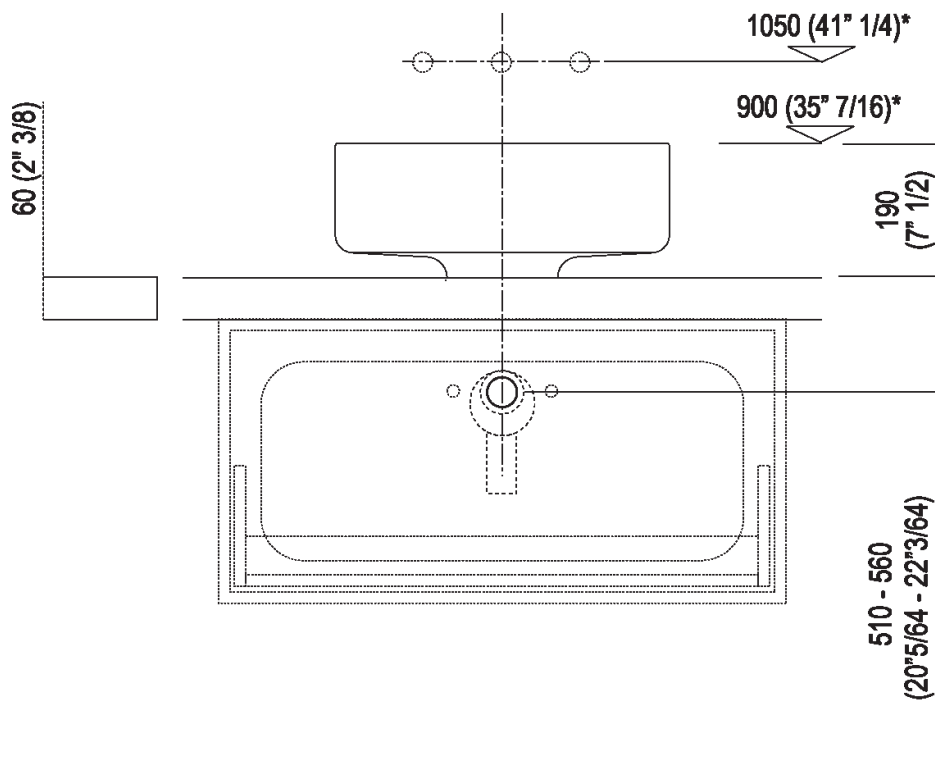
**POSIZIONE RUBINETTERIA / TAP POSITION**

Altezza consigliata / Recommended height





Installation notes: countertop to be rested on cabinet with thickness cm 6 (2"3/8)

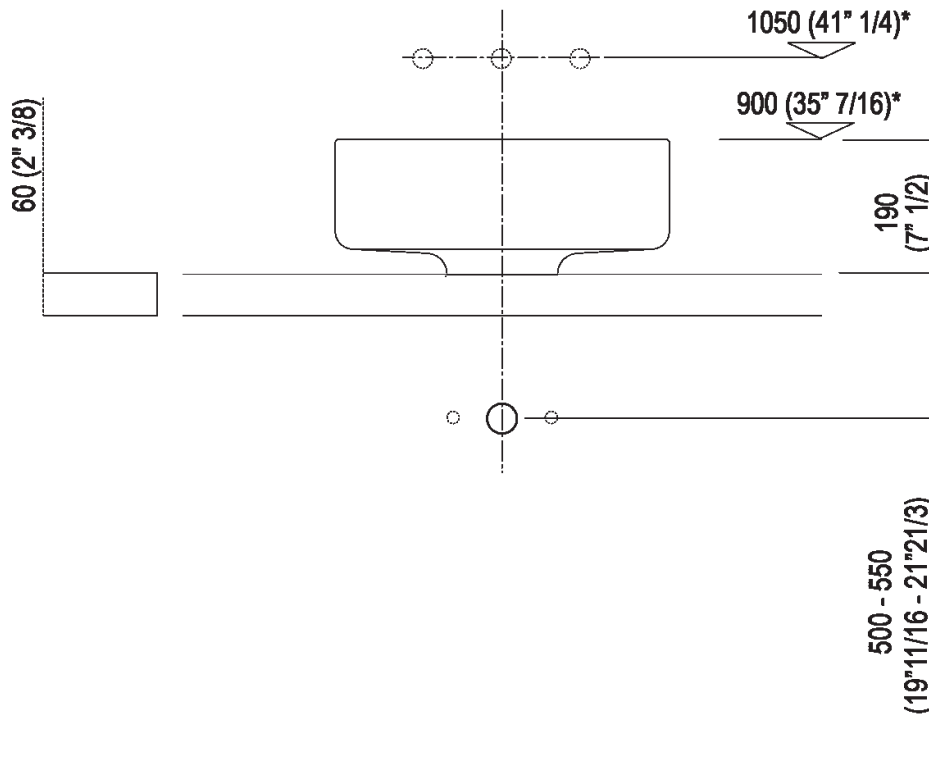


**Scarico per sifone a bottiglia e ad incasso**  
**Drain for bottle trap and concealed waste trap**

\*h.consigliata / advised h.



Installation notes: countertop with concealed wall  
 fixings/freestanding with thickness cm 6 (2"3/8)

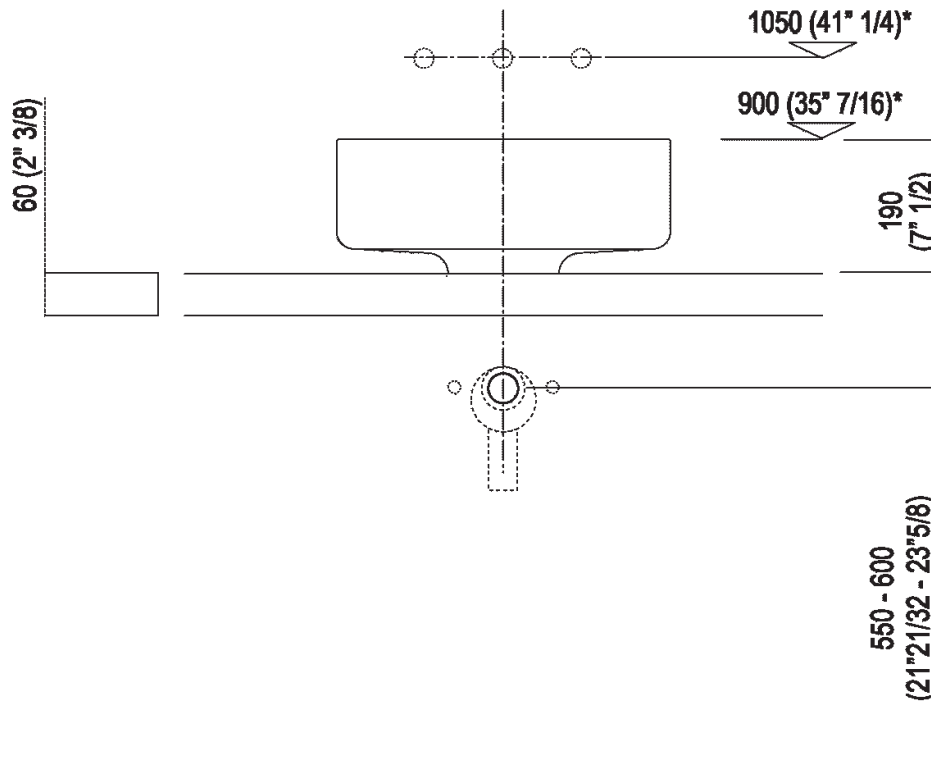


Scarico per sifone a bottiglia  
 Drain for bottle trap

\*h.consigliata / advised h.



Installation notes: countertop with concealed wall  
 fixings/freestanding with thickness cm 6 (2"3/8)



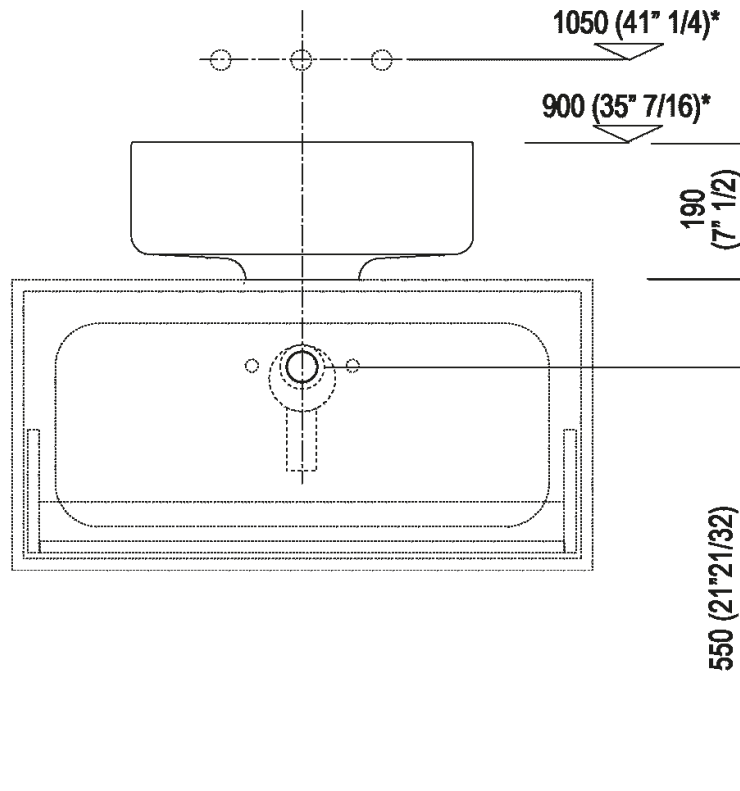
**Scarico per sifone ad incasso**  
**Drain for concealed waste trap**

\*h.consigliata / advised h.





Installation notes: on casing H 40 cm Lato

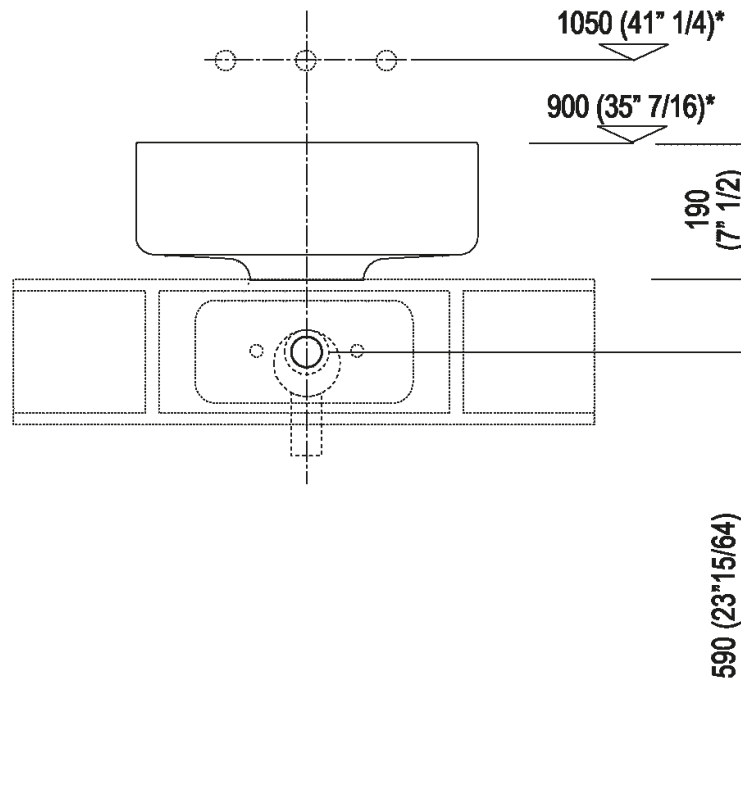


**Scarico per sifone a bottiglia e ad incasso**  
**Drain for bottle trap and concealed waste trap**

\*h.consigliata / advised h.



Installation notes: on casing H 20 cm Lato



**Scarico per sifone a bottiglia e ad incasso**  
**Drain for bottle trap and concealed waste trap**

\*h.consigliata / advised h.