

# Overscale Flames

OBJECTS

2007

Jean-Marie Massaud



## Description

---

Large oil candles made of high density polyurethane resin (Baydur®) with a black painted metallic frame. Available in two sizes.

## Technical information

---

**Material**

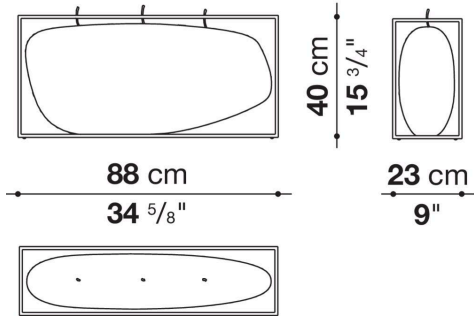
structure in metal profiles, shell in high density polyurethane resin (Baydur®), anodized aluminium nozzles

**Colour**

black

# Technical drawings

## AB20043N



## AB20044N

