

5051 Acquagrande 100

Countertop - wall hung basin 100 cm

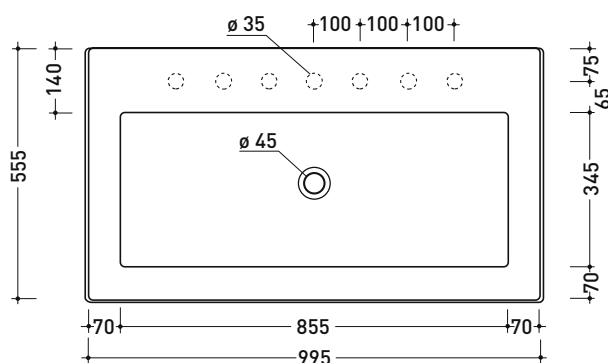
• WITH OVERFLOW • ARRANGED FOR SEVEN TAP HOLES

Complements: Couple brackets (AQ04)
 Bracket with towel holder (STUB100)
 Line taps basin: ONE - NOKÉ - SI - FOLD - X1
 Line accessories: TWO - HOOP - NOKÉ - FOLD

Technical accessories: Chrome siphon (SIFL/CR) - Telescopic chrome siphon (SIFL066)
 Stop & Go drain (PLSG)
 CERAMIC Stop & Go drain (PLCE)
 Two piece set chrome tap filters (RF026)
 Fixing kit for wall (9002)

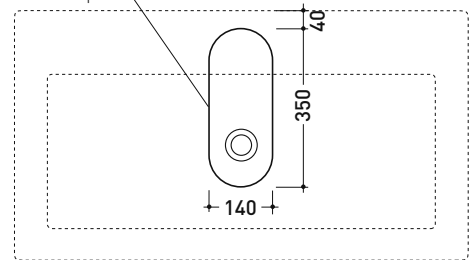
Package dim. 104 x 25 x 60 cm | Weight 57 kg | Pz. Pallet n° 8

UNI EN 14688 - CL20 Dop-No14688

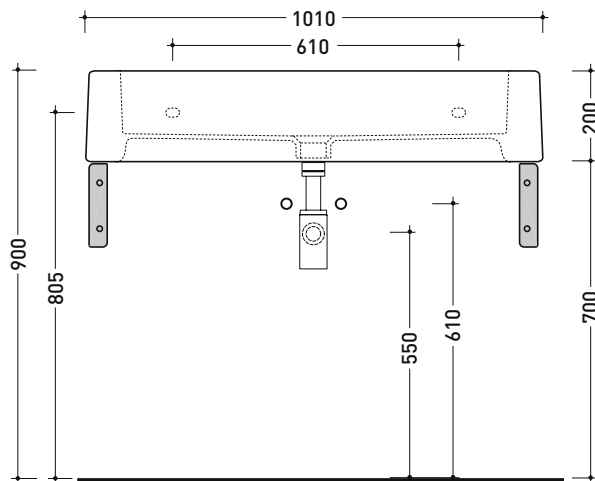


vista zenitale / zenital view

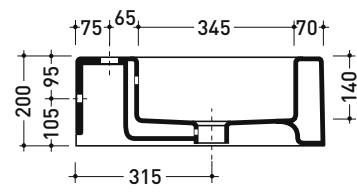
foro consigliato sul piano
 suggested hole on the top



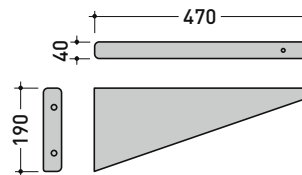
vista zenitale / zenital view



vista frontale / frontal view



sezione longitudinale / section



art. AQ04 (OPTIONAL)
 staffe di sostegno / supporting brackets

sizes in mm

Please consider a 2% tolerance on indicated measurements

CERAMIC: glossy finish



white black

matt finish



milky white carbone argilla nuvola fango rosso rubens petrolio