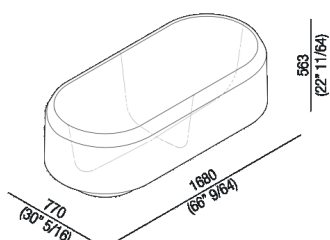




Bathtub  
 AVAS1080\_

Patricia Urquiola, 2015

Cristalplant® biobased compact  
 free-standing bathtub.



**Finishes**

-  White/dark grey
-  White/light grey
-  White

**Materials**

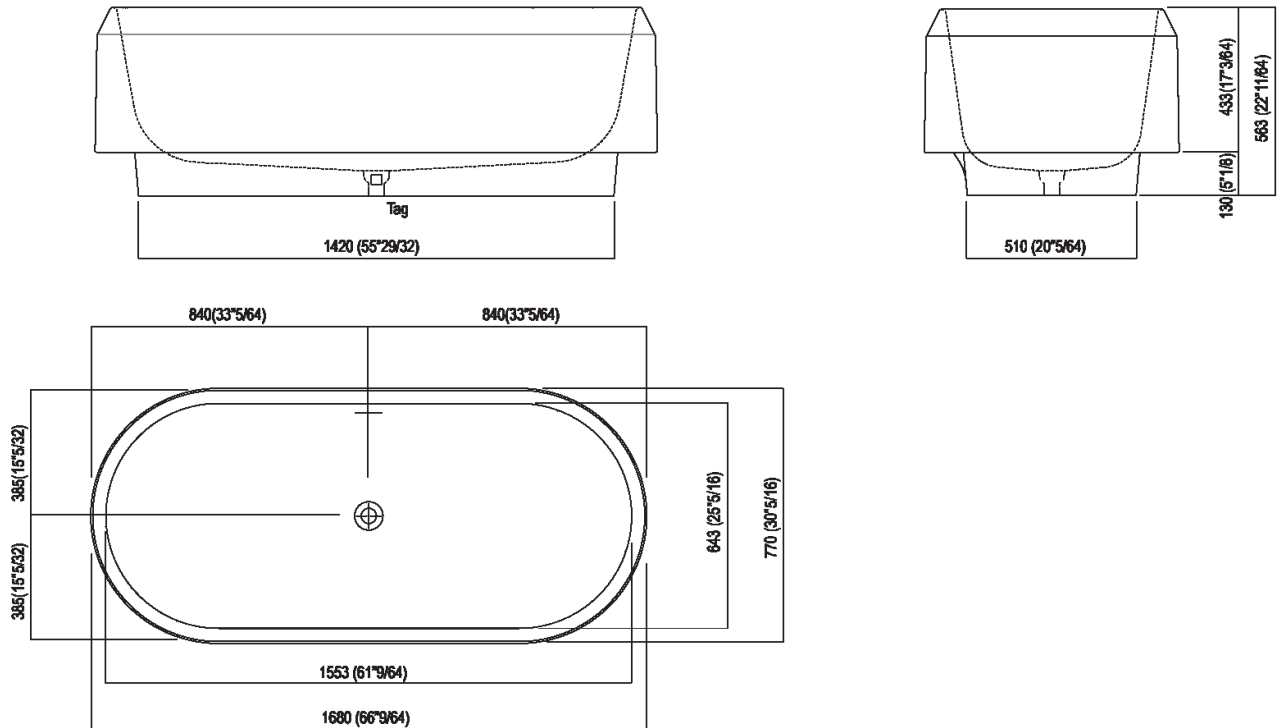
-  Cristalplant®

Bathtub in white Cristalplant® or two coloured (exterior in dark grey RAL7021 or light grey RAL7044); with overflow hole, without tap holes; taps can be wall or floor mounted. It is fitted with a waste with cap in white Cristalplant® .MET0725C (also suitable for bathtubs in display). The two-coloured model can be made in colours chosen by the client with a surcharge of 15% on the price of the two-coloured finish. For an easier installation of the bathtubs we recommend to use the template for the positioning of the waste trap AKITPZVAS.

Height:	56.3 cm	22" 11/64 inches
Length:	168 cm	66" 9/64 inches
Weight:	110 kg	243 lbs
Depth:	77 cm	30" 5/16 inches
Capacity:	320 l	85 gal
Packaging:	100 x 200 x 82 cm	39" 3/8 x 78" 3/4 x 32" 1/4 inches
Total weight:	150 kg	331 lbs

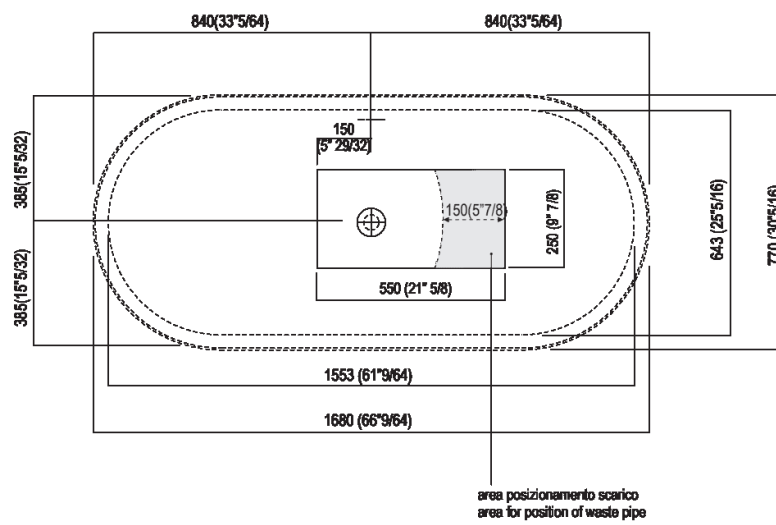


**Dimensioni principali**



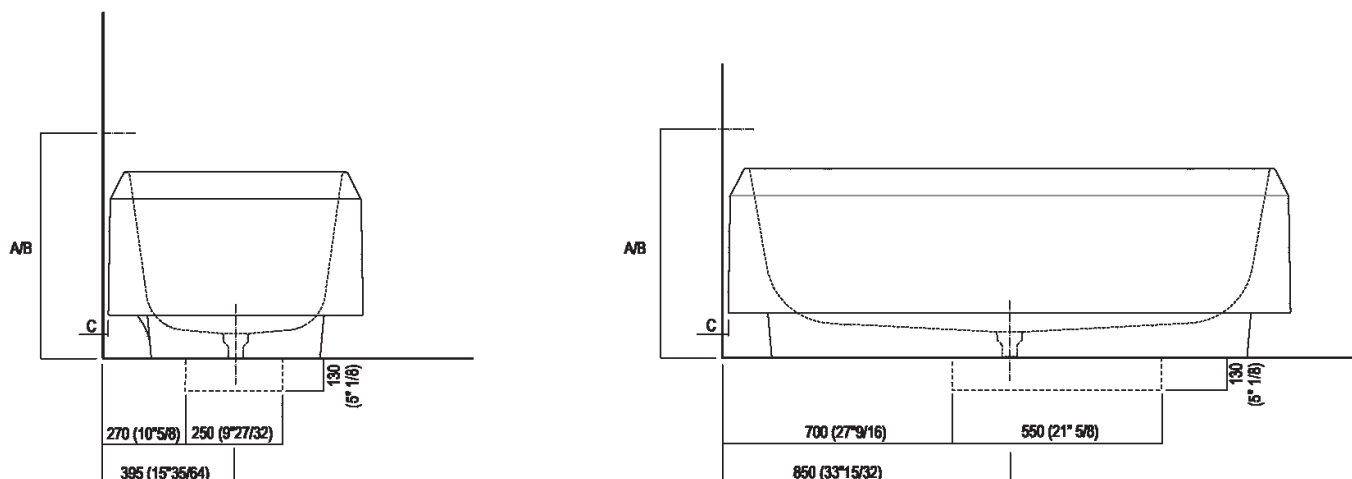


**Dimensions for recess**





Dimension for wall mounted taps

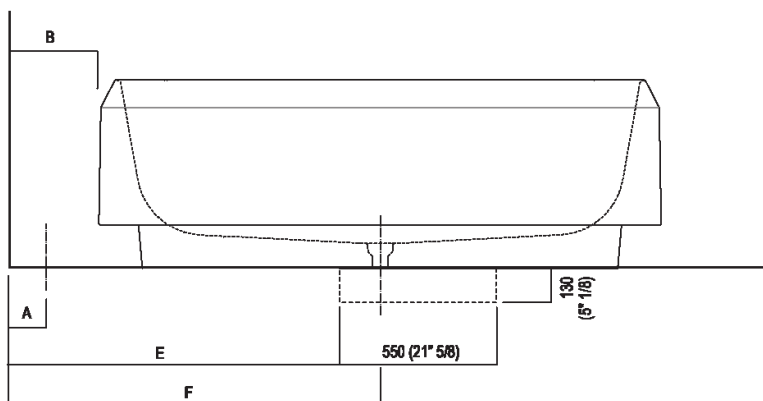
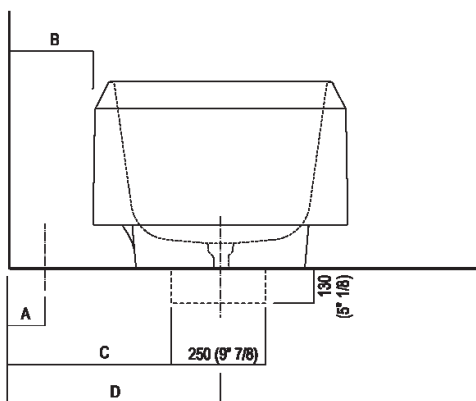


	A*	B**	C
FEZ (ARUB050000L, ARUB051000L, ARUB150000C, ARUB151000C, ARUB1089S, ARUB190000C, ARUB191000C, ARUB1091S)	713 (28 5/64)	-	10 (25/64)
MEMORY (ARUB1076S, ARUB1077S, ARUB1040S)	713 (28 5/64)	-	10 (25/64)
SQUARE (ARUB0932N, ARUB0933N, ARUB1117)	-	713 (28 5/64)	10 (25/64)
SQUARE (ARUB1118)	-	713 (28 5/64)	110 (4 21/64)
SEN (ASEN0912V)	-	713 (28 5/64)	10 (25/64)

\* inserasse gruppo / axial distance for tap  
 \*\* filo inferiore gruppo / Tap's lower edge



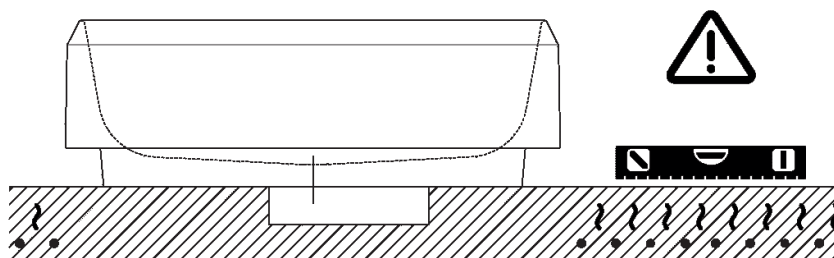
Dimensions for freestanding spouts



	A	B	C	D	E	F
FEZ (ARUB140, ARUB145, ARUB170N)	80 (3 <sup>1</sup> / <sub>8</sub> )	165 (6 <sup>1</sup> / <sub>2</sub> )	425 (16 <sup>47</sup> / <sub>64</sub> )	550 (21 <sup>21</sup> / <sub>32</sub> )	855 (33 <sup>21</sup> / <sub>32</sub> )	1005 (39 <sup>9</sup> / <sub>16</sub> )
MEMORY (ARUB1078, ARUB1072, ARUB1033)	80 (3 <sup>1</sup> / <sub>8</sub> )	165 (6 <sup>1</sup> / <sub>2</sub> )	425 (16 <sup>47</sup> / <sub>64</sub> )	550 (21 <sup>21</sup> / <sub>32</sub> )	855 (33 <sup>21</sup> / <sub>32</sub> )	1005 (39 <sup>9</sup> / <sub>16</sub> )
SQUARE (ARUB0961L, ARUB0934L, ARUB0935NL, ARUB0936NL, ARUB0952L, ARUB1024N, ARUB1112, ARUB1115)	80 (3 <sup>1</sup> / <sub>8</sub> )	130 (5 <sup>1</sup> / <sub>8</sub> )	390 (15 <sup>23</sup> / <sub>64</sub> )	515 (20 <sup>9</sup> / <sub>32</sub> )	820 (32 <sup>9</sup> / <sub>32</sub> )	970 (38 <sup>3</sup> / <sub>16</sub> )
SEN (ASEN0911)	80 (3 <sup>1</sup> / <sub>8</sub> )	130 (5 <sup>1</sup> / <sub>8</sub> )	390 (15 <sup>23</sup> / <sub>64</sub> )	515 (20 <sup>9</sup> / <sub>32</sub> )	820 (32 <sup>9</sup> / <sub>32</sub> )	970 (38 <sup>3</sup> / <sub>16</sub> )



**Notes**



**La vasca deve essere installata su un pavimento perfettamente piano.**  
**The bathtub must be positioned on a flat floor surface.**

**E' necessario predisporre a pavimento un pozzetto.**  
**It is necessary to prepare a recess in the floor.**

**Evitare di realizzare impianti di riscaldamento nell'area sottostante la vasca.**  
**Avoid the installation of floor heating plants in the area under the bathtub.**