
Papilio Shell

CHAIRS

Naoto Fukasawa



Description

Papilio Shell is available in two versions: with polypropylene shell or padded and upholstered in a wide range of fabrics and leathers. Different types of bases give the chair different looks for different uses.

Technical information

Shell:

polypropylene

Shell upholstery (SH1I-SH2I-SH3I-SH4I):

Bayfit® (Bayer®) flexible cold shaped polyurethane foam

Support frame (SH1-SH1I):

painted or bright chromed tubular steel and steel profiles

Legs (SH2-SH2I):

oak solid wood

Support frame (SH3-SH3I-SH4-SH4I):

painted or bright brushed die-cast aluminium

Wheels (SH3-SH3I):

plastic material for soft surfaces or plastic material for hard surfaces

Double-side ferrules (SH1-SH1I-SH2-SH2I):

plastic material/felt

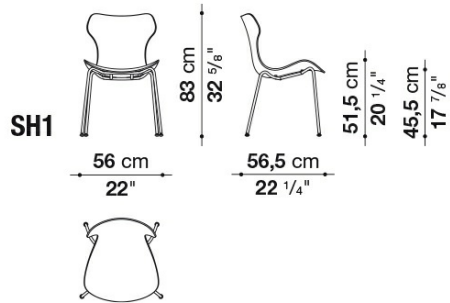
Double ferrules (SH4-SH4I):

felt or plastic material

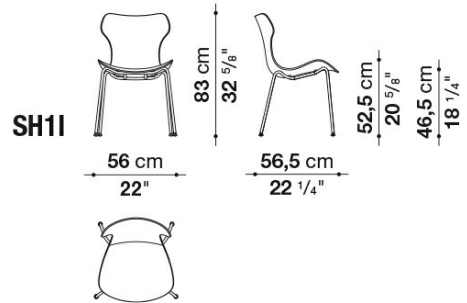
Cover:

fabric or Gamma leather

Technical drawings

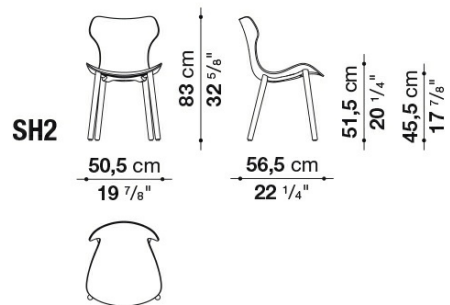


SH1

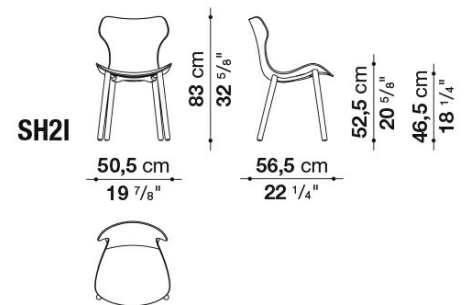


DISCONTINUED

SH1I

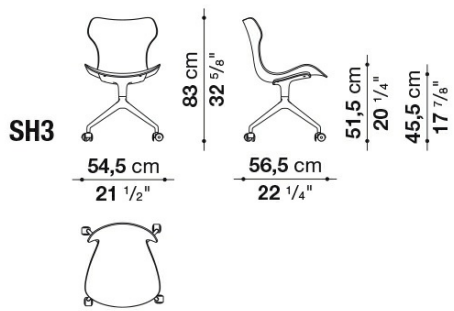


SH2

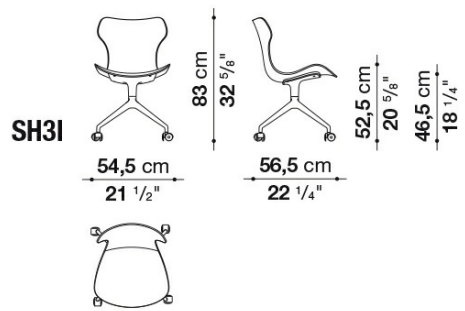


DISCONTINUED

SH2I

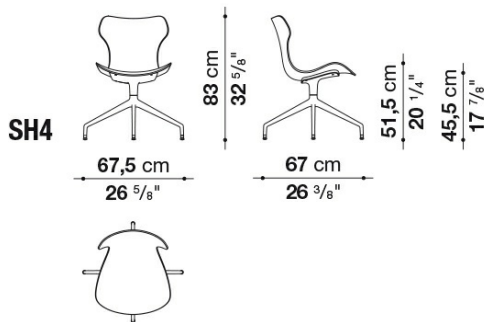


SH3

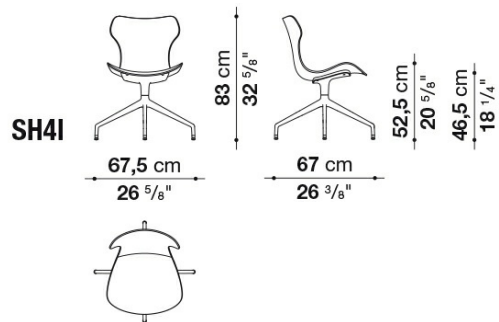


DISCONTINUED

SH3I



SH4



DISCONTINUED

SH4I

B&B Italia reserves the right to make technological and aesthetic improvements to its models, including changes to the sizes and materials, without notice. The technical drawings do not define the details of the product. The measurements shown are indicative and may undergo changes. In particular, the dimensions relevant to the padded parts are subject to usage tolerances over time caused by the normal adjustment of the padding. For the specific information, please contact the dealer closest to you.