

Talis E

Single lever basin mixer for concealed installation wall-mounted with spout 22.5 cm

Surfaces: **Chrome** Article Number: **71734000**



Description

product features

- consists of: single lever basin mixer for concealed installation wall-mounted, waste set
- projection 225 mm
- spray type: normal spray
- maximum flow rate at 3 bar: 5 l/min
- ceramic cartridge
- temperature limitation adjustable
- suitable for continuous flow water heaters
- material waste set: metal
- connection type: basic set
- connection dimension: DN15
- handle can be positioned on the right or left, depends on the basic set installation
- non-closing waste set

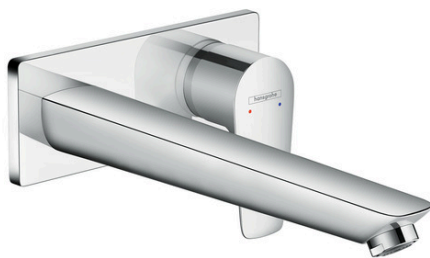
Technology



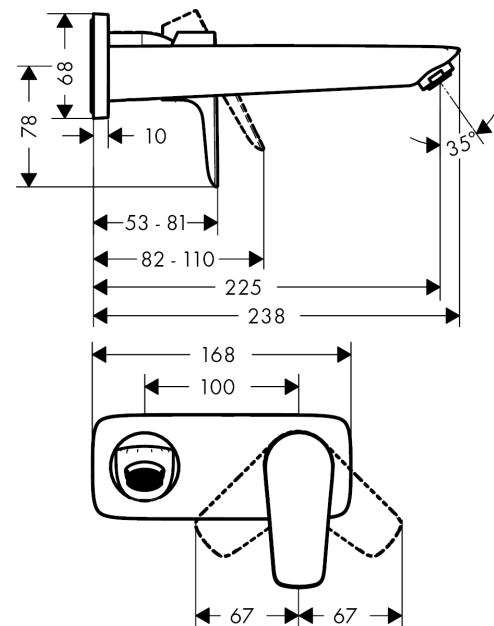
Design awards



Product image



Scale drawing



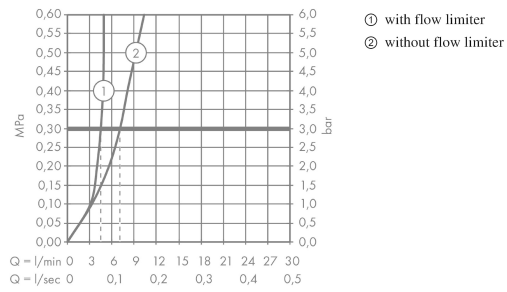
Talis E

Single lever basin mixer for concealed installation wall-mounted with spout 22.5 cm

Surfaces: **Chrome** Article Number: **71734000**



Flowchart



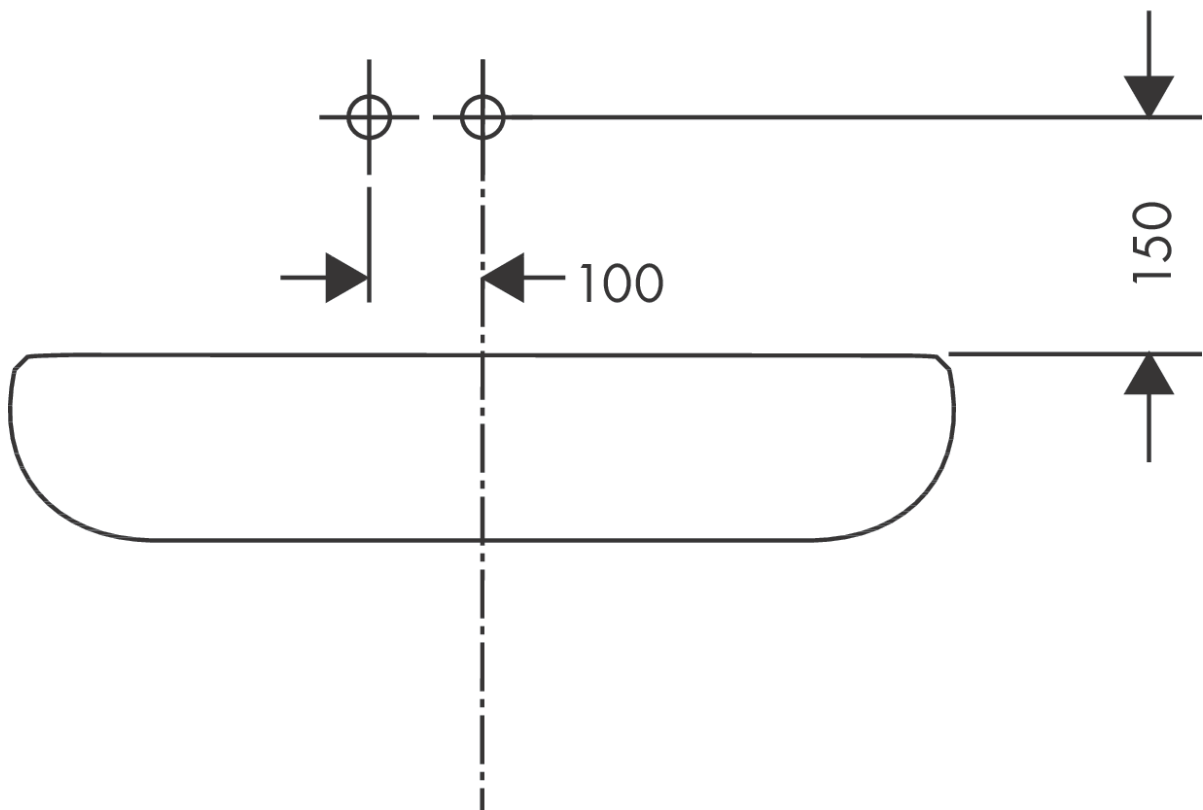
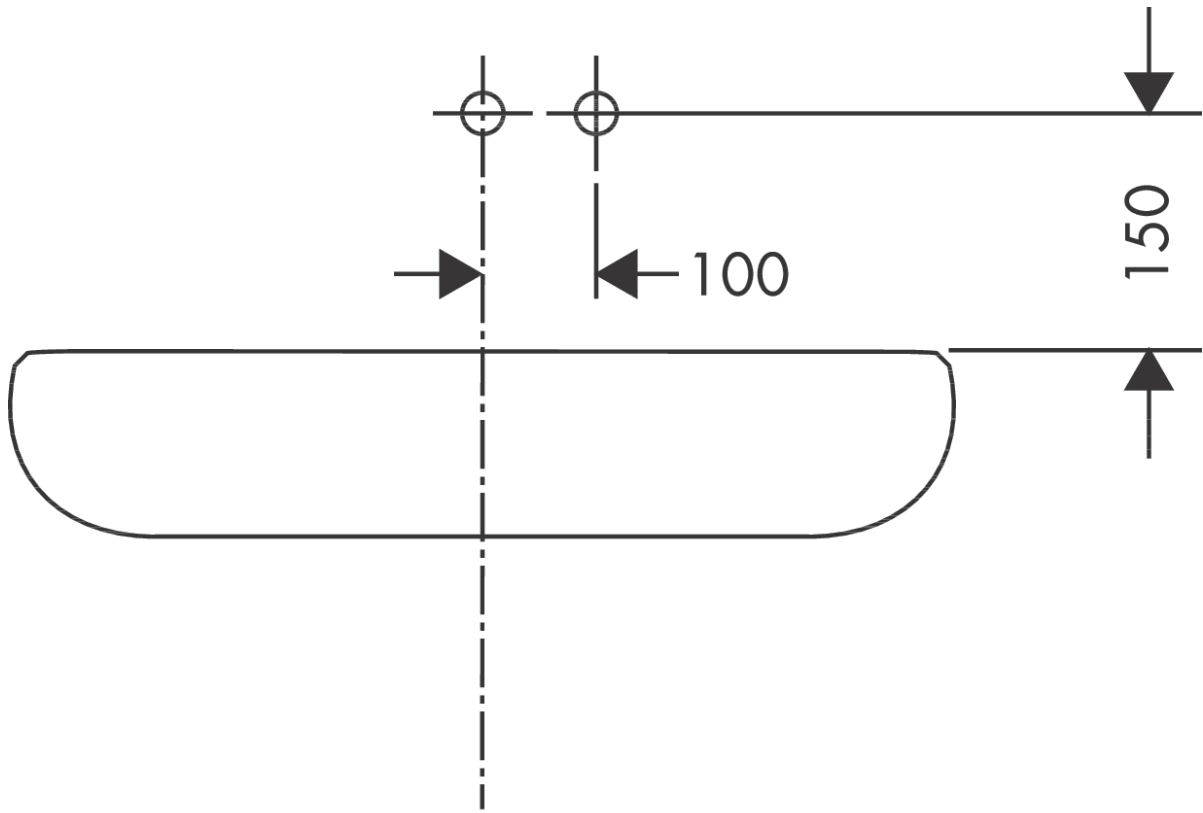
Talis E

Single lever basin mixer for concealed installation wall-mounted with spout 22.5 cm

Surfaces: **Chrome** Article Number: **71734000**



Installation examples



Talis E

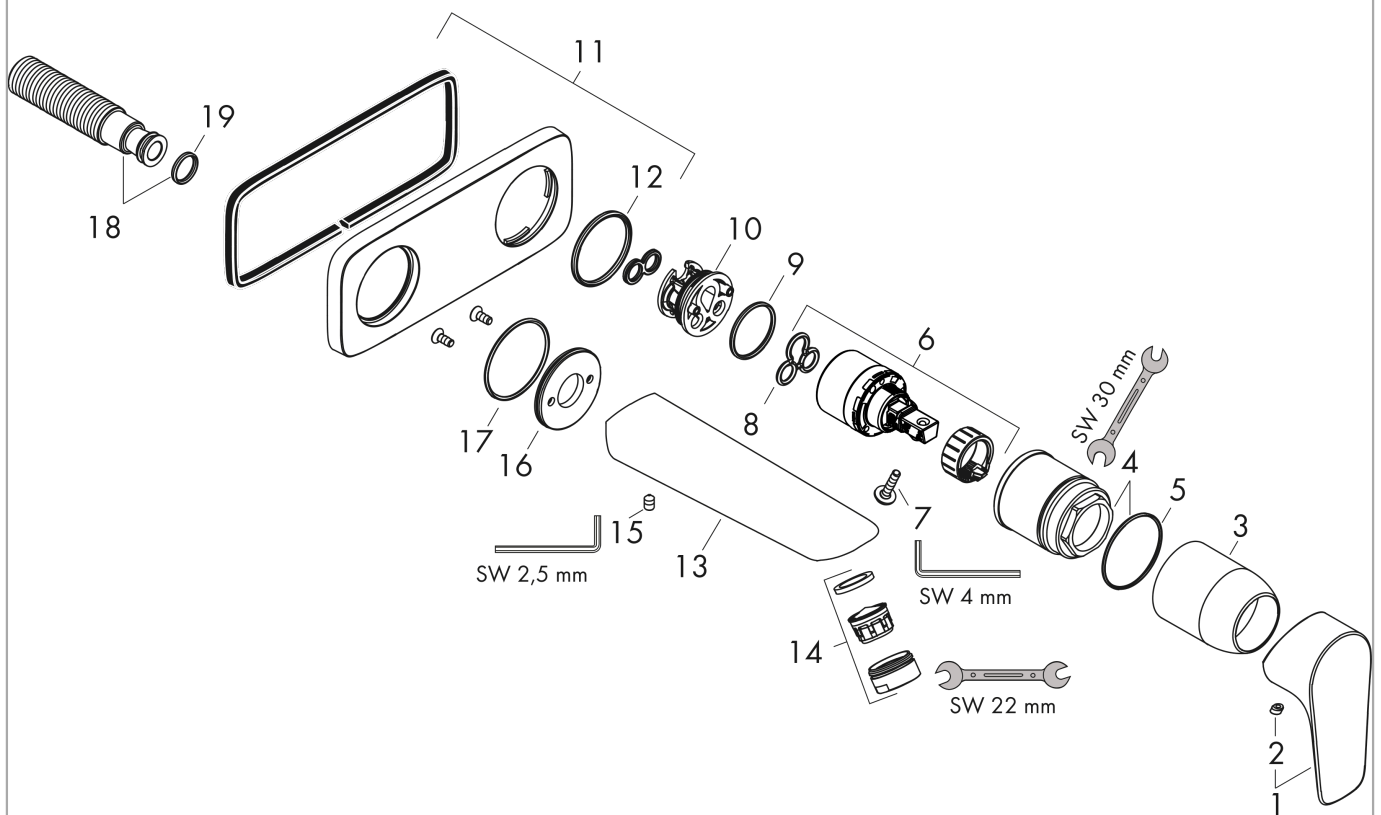
Single lever basin mixer for concealed installation wall-mounted with spout 22.5 cm

Surfaces: **Chrome** Article Number: **71734000**



Exploded Drawing

Year of production: >10/15



Talis E**Single lever basin mixer for concealed installation wall-mounted with spout 22.5 cm**Surfaces: **Chrome** Article Number: **71734000****Spare part list**

Year of production: >10/15

| Pos. | Description | Article Number | Price | PU |
|------|----------------------------------|----------------|-------|----|
| 1 | handle | 92666000 | - | 1 |
| 2 | screw cover | 96338000 | - | 1 |
| 3 | sleeve | 98790000 | - | 1 |
| 4 | nut | 95622000 | - | 1 |
| 5 | O-ring 39x1,5 | 98400000 | - | 1 |
| 6 | cartridge, assy | 92730000 | - | 1 |
| 7 | locking screw for handle | 95140000 | - | 1 |
| 8 | seal | 95008000 | - | 1 |
| 9 | O-ring 26x2 | 98147000 | - | 1 |
| 10 | adapter for cartridge | 95779000 | - | 1 |
| 11 | escutcheon | 92239000 | - | 1 |
| 12 | O-ring 43x3 | 98418000 | - | 1 |
| 13 | spout 225 mm | 92714000 | - | 1 |
| 14 | aerator M24x1 (5 l/min) | 13185000 | - | 1 |
| 15 | hollow set screw M5x8 | 92851000 | - | 1 |
| 16 | escutcheon | 95642000 | - | 1 |
| 17 | O-Ring 30x2 | 98186000 | - | 1 |
| 18 | connecting thread G½ | 95626000 | - | 1 |
| 19 | O-ring 13x2 | 98128000 | - | 1 |
| a | extension set 25 mm for 13622180 | 31971000 | - | 1 |
| b | waste | 50001000 | - | 1 |
| c | Grease | 90920000 | - | 1 |