

# Charles Outdoor

SOFAS

2010

Antonio Citterio



## Description

---

The outdoor version of the Charles sofa system - a long-time bestseller for B&B Italia - preserves the quality of the interior design project and the characteristics that made it a classic of pure contemporary taste. Indeed, the system features the same slim frame, flexibility and signature design of the inverted "L" shaped feet. With its rigorous, timeless aesthetic, it stands out for its lightweight internal aluminium frame and an external surface created by an open interlacing polypropylene ribbon.

## Technical information

---

**Internal frame**

tubular aluminium and aluminium profiles

**Interlacing**

polypropylene fibre

**Seat cushion**

shaped polyurethane, cover in water repellent polyester fibre

**Back cushion**

polyester fibre, cover in water repellent polyester fibre

**Feet**

die-cast aluminium with polyester powder painting

**Ferrules**

thermoplastic material

**Waterproof cover cloth**

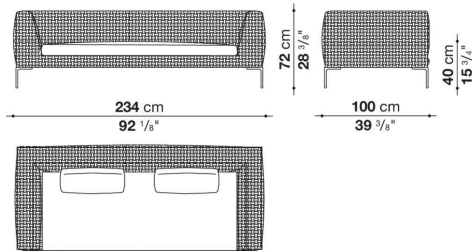
PES fabric coated on one side in PU

**Cover**

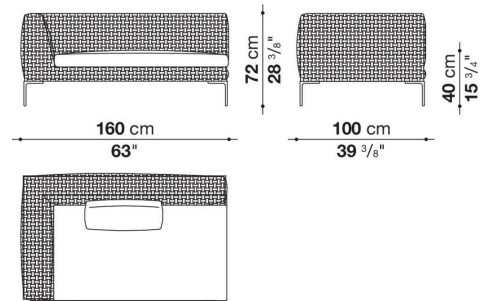
fabric in limited categories

# Technical drawings

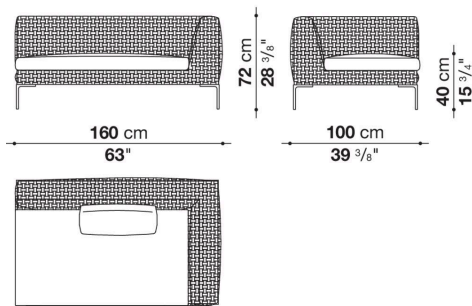
**CHO234**



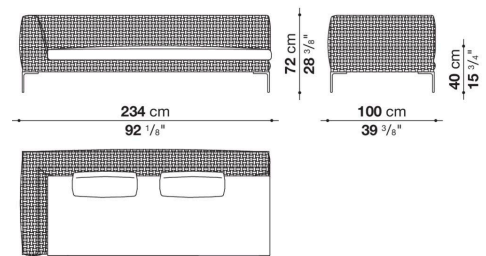
**CHO160S**



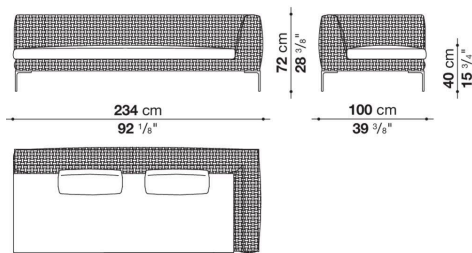
**CHO160D**



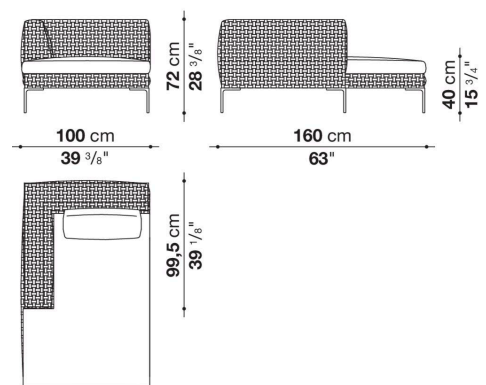
**CHO234S**



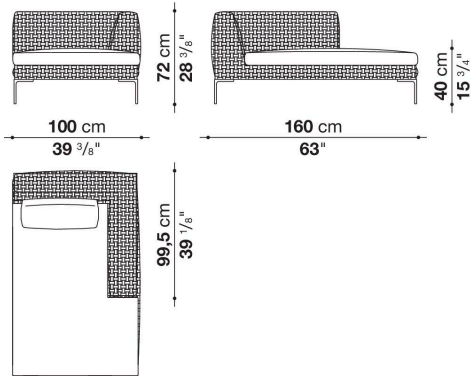
**CHO234D**



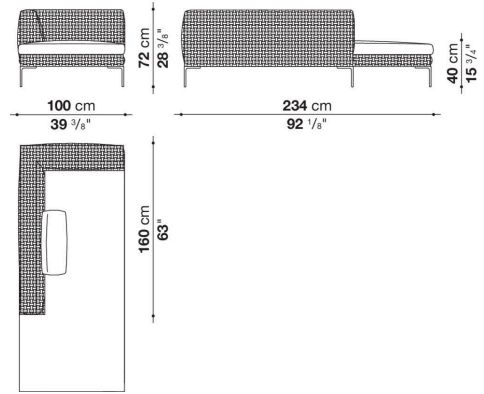
**CHO160LS**



**CHO160LD**



**CHO234LS**



**CHO234LD**

