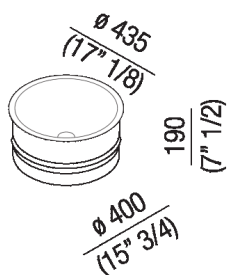




Over countertop washbasin h 19 cm (7" 1/2)
 ACER0798P_

design Patricia Urquiola, 2011

Over countertop washbasin in stainless steel,
 available in two different heights.



Finishes

-  White
-  White/dark grey
-  White/light grey

Materials

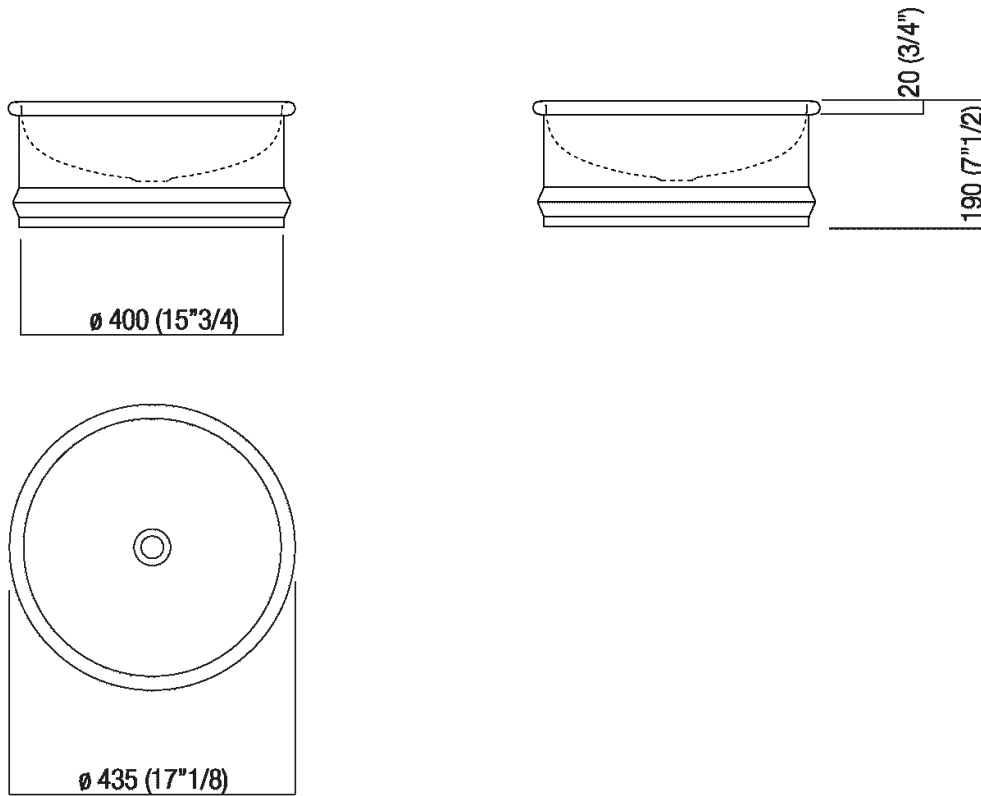
-  Stainless steel

Round over countertop washbasin in stainless steel painted white (RAL9003) or in two colours, interior white and exterior dark grey (RAL7021) or light grey (RAL7044), without tap hole and overflow. Can be accessorised with iroko shelf to be installed on the edge of the washbasin. Designed for waste .MET0563.

Height:	19 cm	7" 1/2 inches
Diameter:	43.5 cm	17" 1/8 inches
Weight:	7 kg	15 lbs
Packaging:	52 x 52 x 25 cm	20" 4/8 x 20" 4/8 x 9" 7/8 inches
Total weight:	9 kg	20 lbs

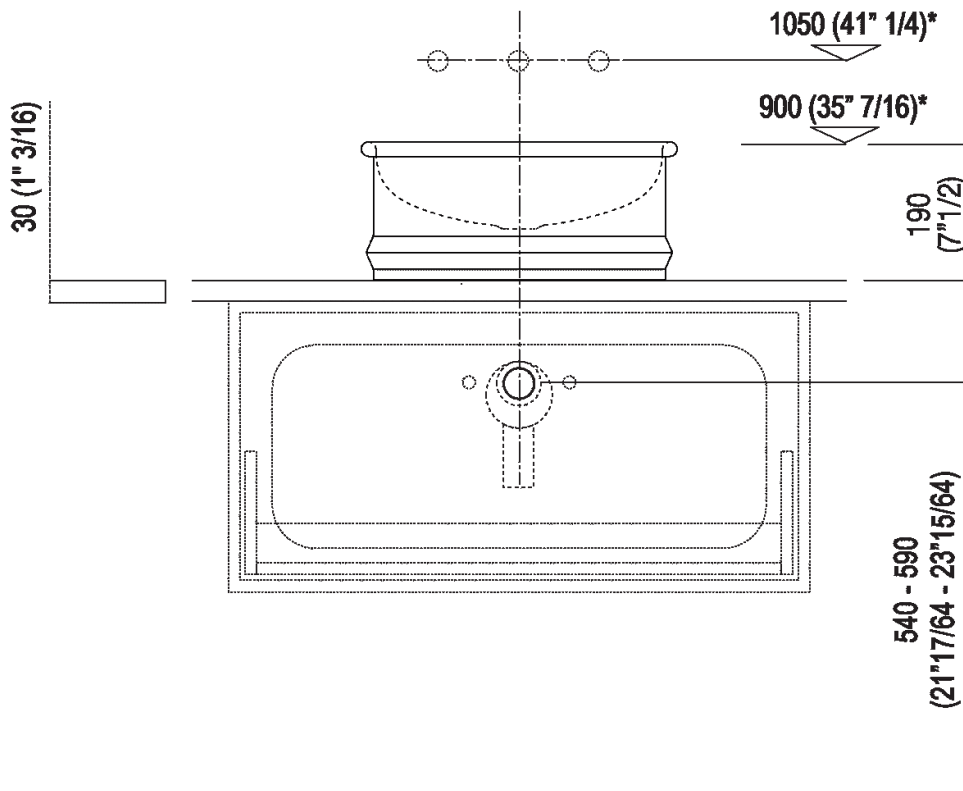


Main dimensions





Installation notes: countertop to be rested on cabinet with thickness cm 3 (1"3/16)

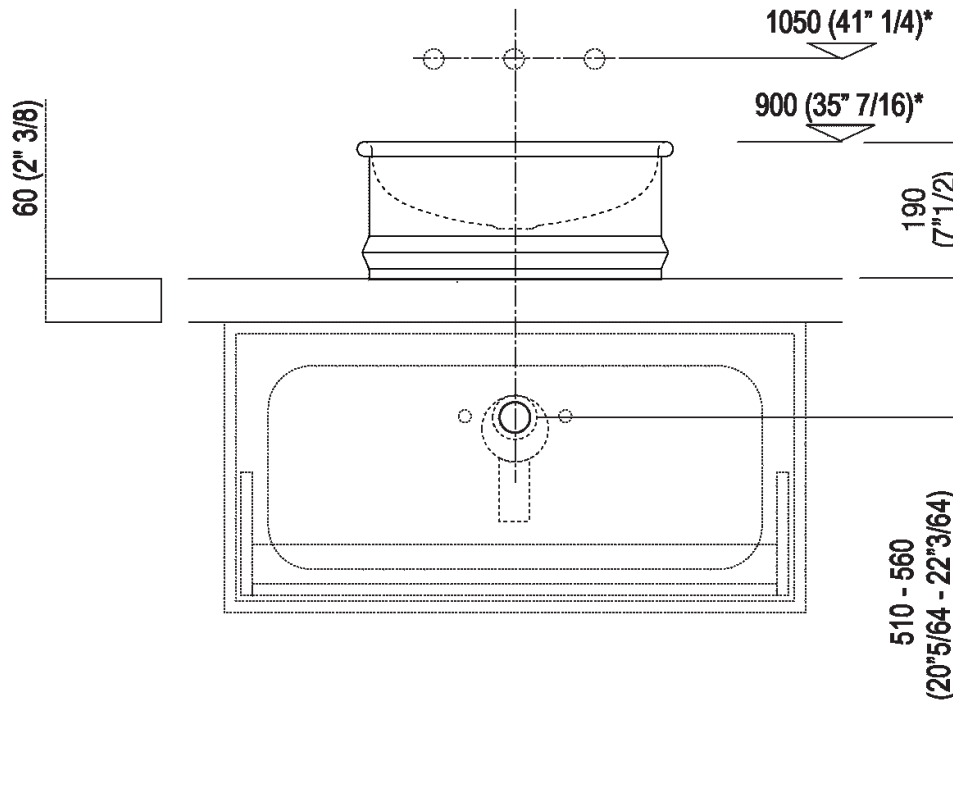


Scarico per sifone a bottiglia e ad incasso
Drain for bottle trap and concealed waste trap

*h.consigliata / advised h.



Installation notes: countertop to be rested on cabinet with thickness cm 6 (2"3/8)

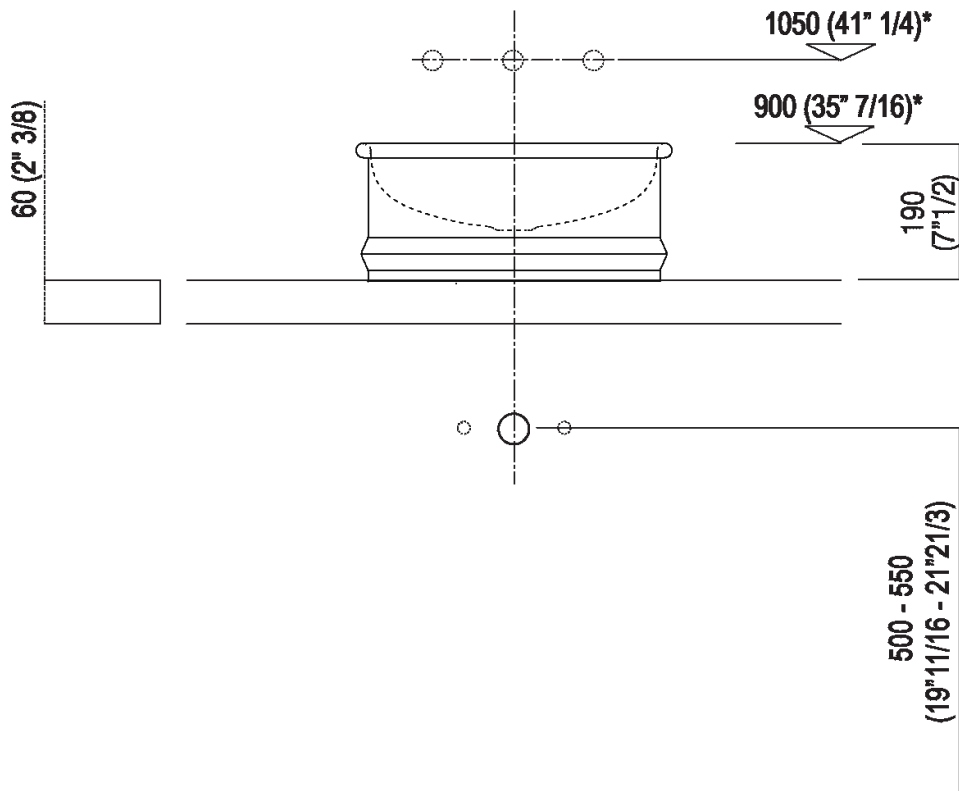


Scarico per sifone a bottiglia e ad incasso
Drain for bottle trap and concealed waste trap

*h.consigliata / advised h.



Installation notes: countertop with concealed wall
 fixings/freestanding with thickness cm 6 (2"3/8)

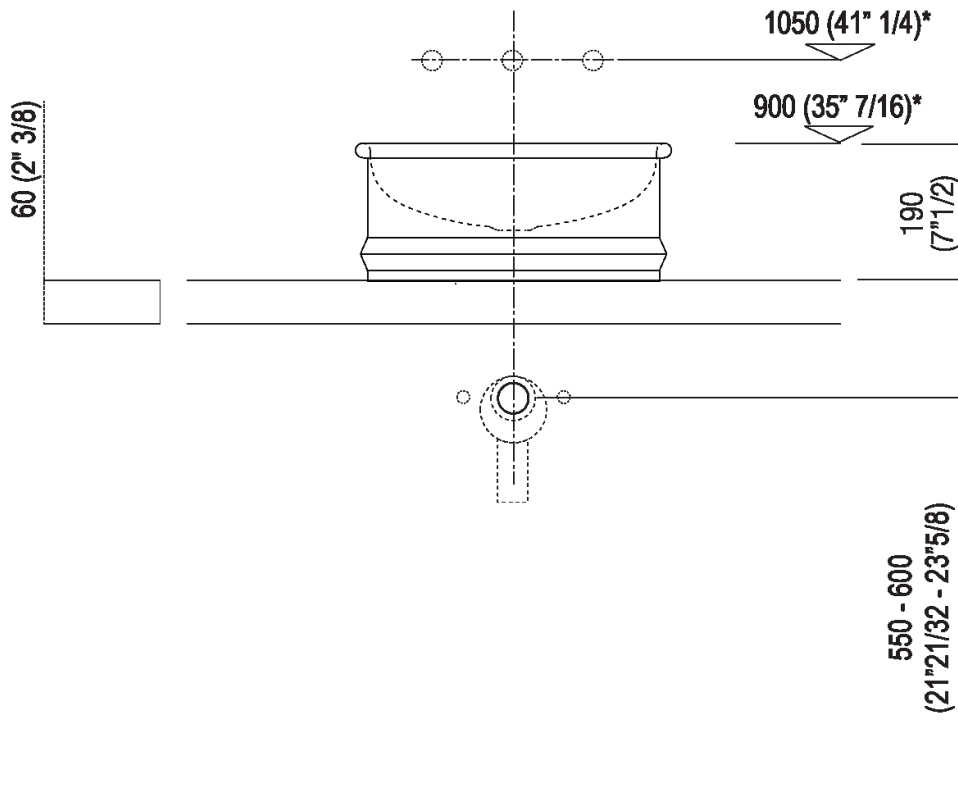


Scarico per sifone a bottiglia
Drain for bottle trap

***h.consigliata / advised h.**



Installation notes: countertop with concealed wall
 fixings/freestanding with thickness cm 6 (2"3/8)

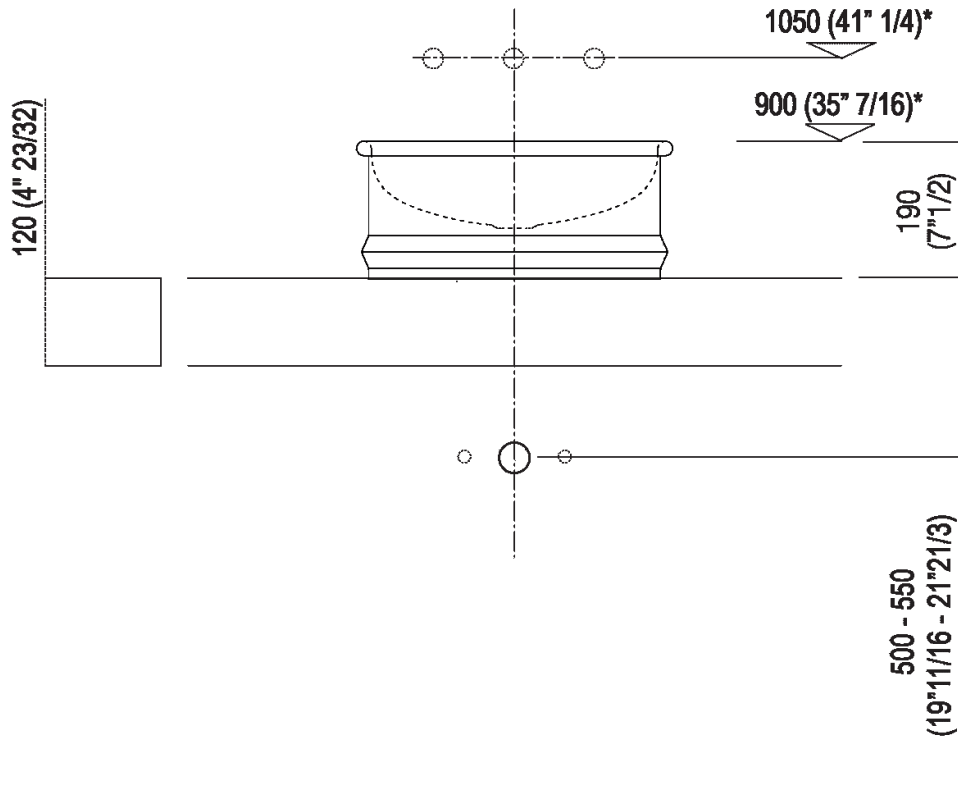


Scarico per sifone ad incasso
 Drain for concealed waste trap

*h.consigliata / advised h.



Installation notes: countertop with concealed wall
 fixings/freestanding with thickness cm 12 (4"23/32)

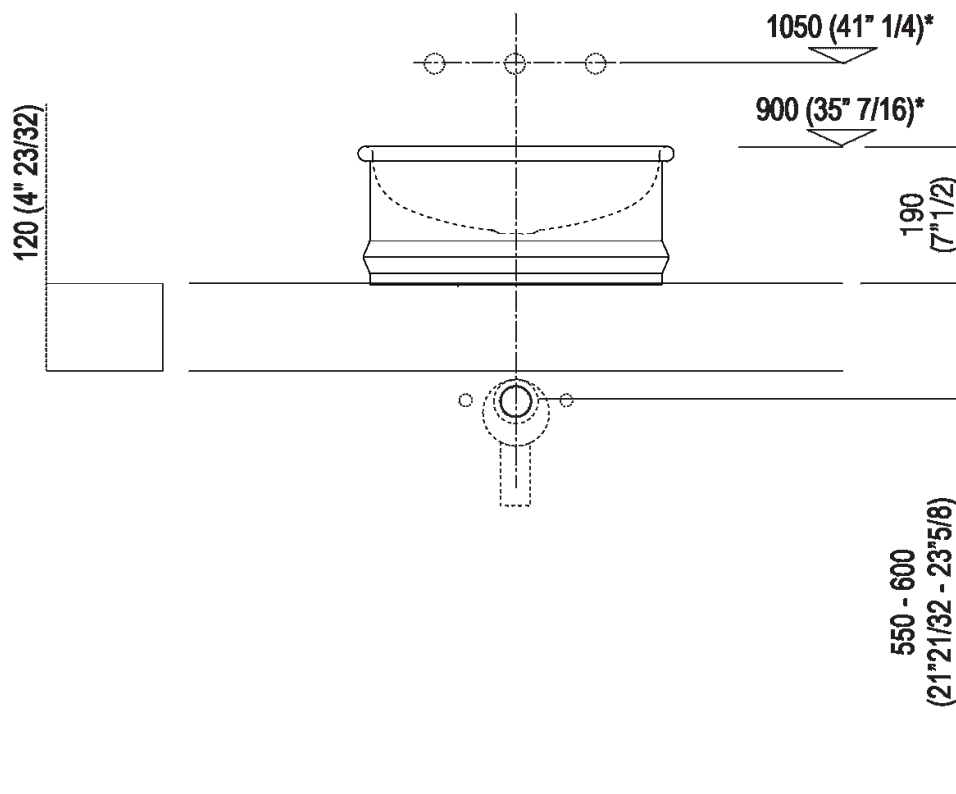


Scarico per sifone a bottiglia
Drain for bottle trap

*h.consigliata / advised h.



Installation notes: countertop with concealed wall
 fixings/freestanding with thickness cm 12 (4"23/32)

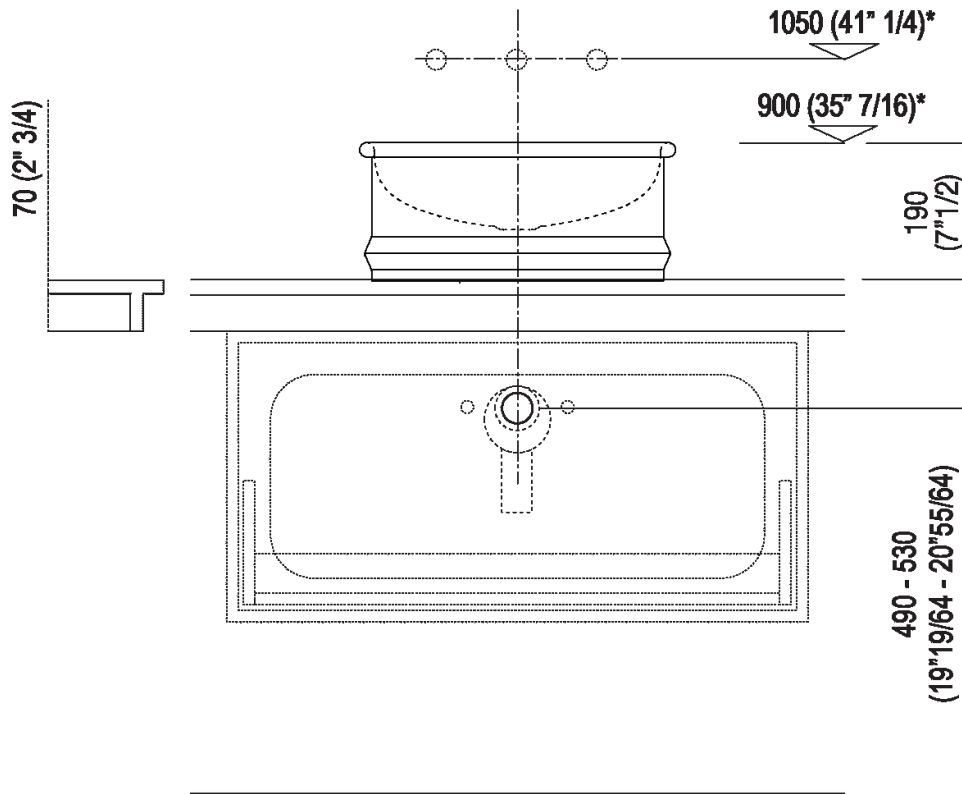


Scarico per sifone ad incasso
Drain for concealed waste trap

**h.consigliata / advised h.*



Installation notes: countertop Evoluzione



Scarico per sifone a bottiglia e ad incasso
Drain for bottle trap and concealed waste trap

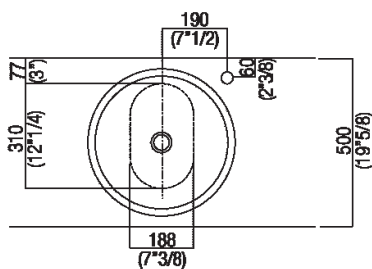
***h.consigliata / advised h.**



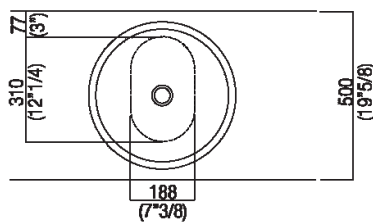
Holes for countertop washbasins and top mounted taps for top

PIANO cm 50 / COUNTERTOP cm 50

Posizione standard per rubinetto su piano
 Standard position for top mounted tap



Posizione standard per rubinetto a parete
 Standard position for wall mounted tap



Posizione speciale per rubinetto Sen a parete e Square con bocca curva
 Special position for wall mounted tap Sen and Square white curved spout

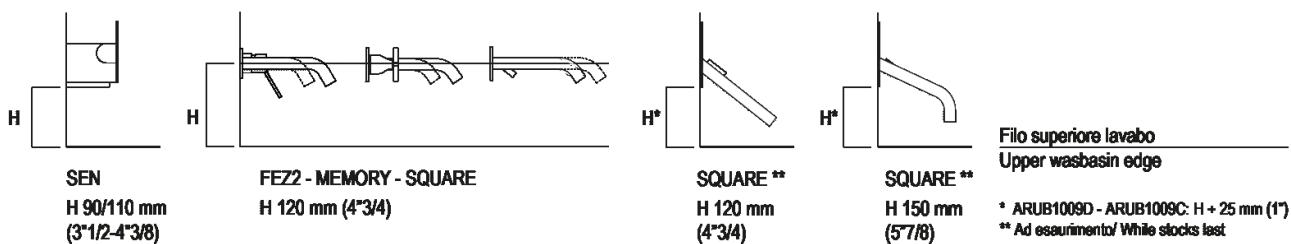
NON NECESSARIA
 NOT NECESSARY



Tap position, recommended height

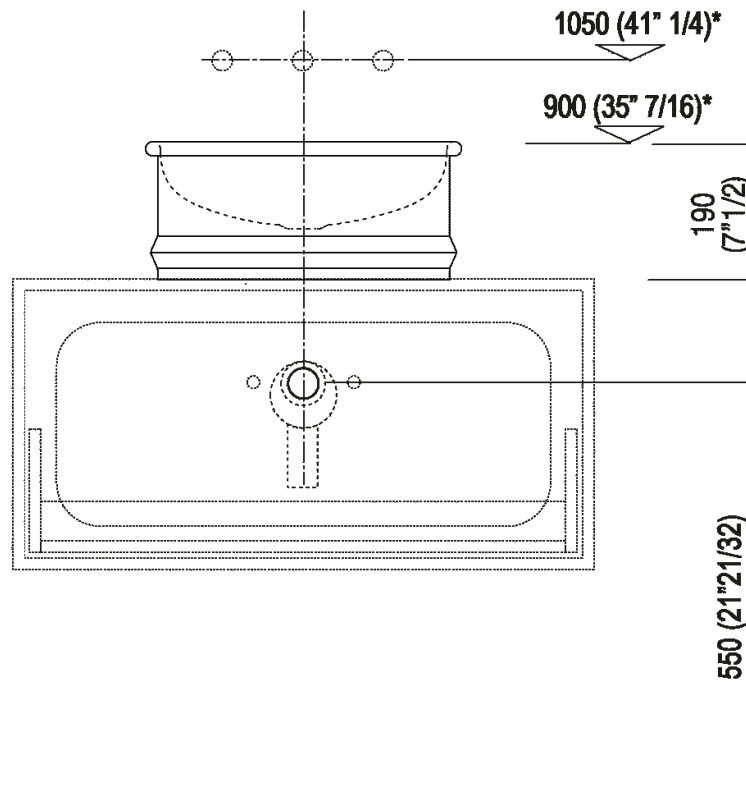
POSIZIONE RUBINETTERIA / TAP POSITION

Altezza consigliata / Recommended height





Installation notes: on casing H 40 cm Lato

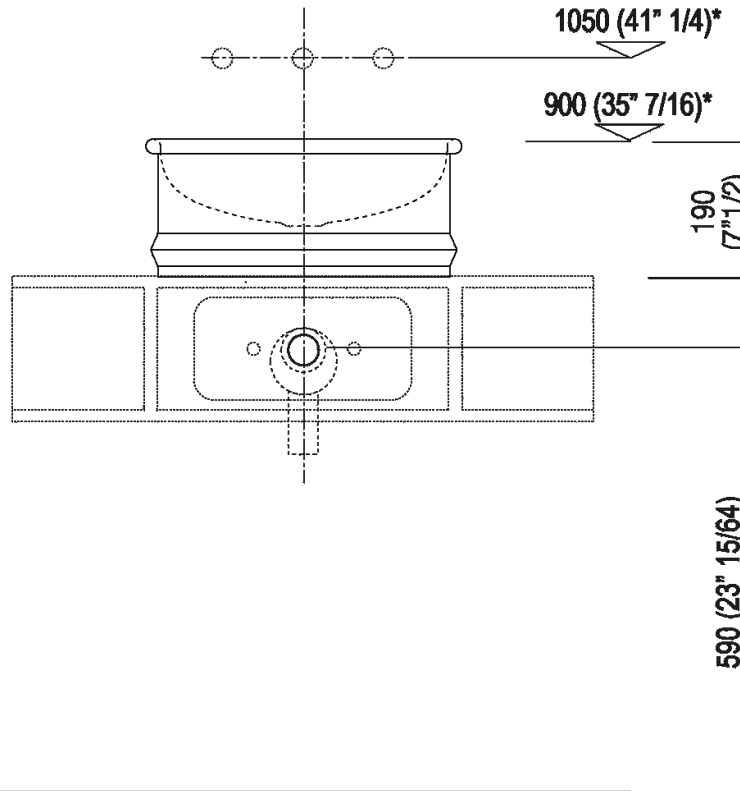


Scarico per sifone a bottiglia e ad incasso
Drain for bottle trap and concealed waste trap

*h.consigliata / advised h.



Installation notes: on casing H 20 cm Lato



Scarico per sifone a bottiglia e ad incasso
Drain for bottle trap and concealed waste trap

***h.consigliata / advised h.**