

Lit

Umberto Asnago
2019

1912-23

Suspensions with metal structure and shade in borosilicate glass. Outer shade in the colors: blue, violet, orange and gold. Inner shade in striped sandblasted glass. Ceiling canopy in white or titanium varnished metal.



Montaggio	Suspension
Ambiente	Indoor
Materiali	Borosilicate glass
Voltaggio	230V 50/60Hz
Sorgente	1x 10W LED - E27
Lumen	NA
Dimming	NA

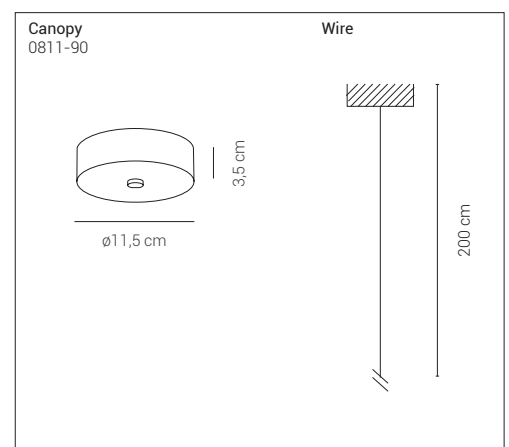
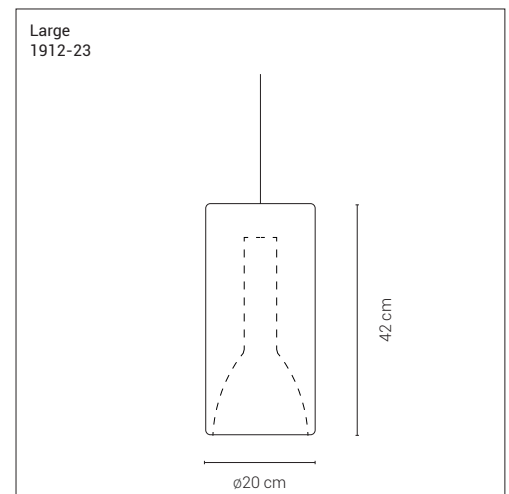
Glass finishes

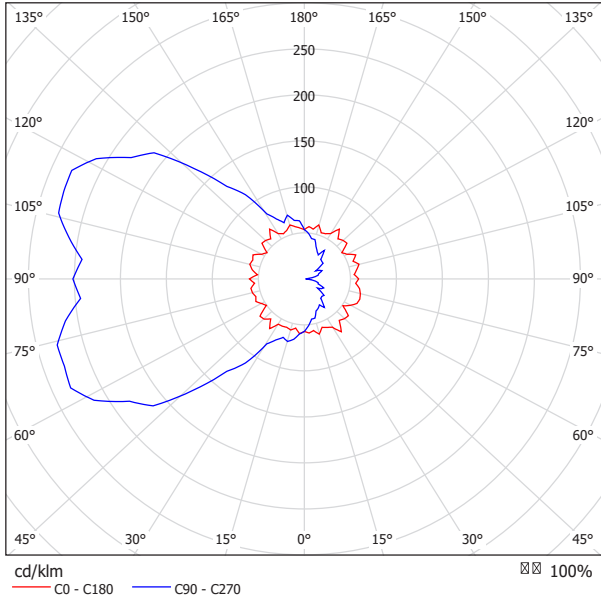
	Blue		Gold
	Violet		Orange

Canopy finishes

	White
	Titanium

Certification





Lit large orange

Lit

Umberto Asnago
2019

1912-22

Suspensions with metal structure and shade in borosilicate glass. Outer shade in the colors: blue, violet, orange and gold. Inner shade in striped sandblasted glass. Ceiling canopy in white or titanium varnished metal.



Montaggio	Suspension
Ambiente	Indoor
Materiali	Borosilicate glass
Voltaggio	230V 50/60Hz
Sorgente	1x 10W LED - E27
Lumen	NA
Dimming	NA

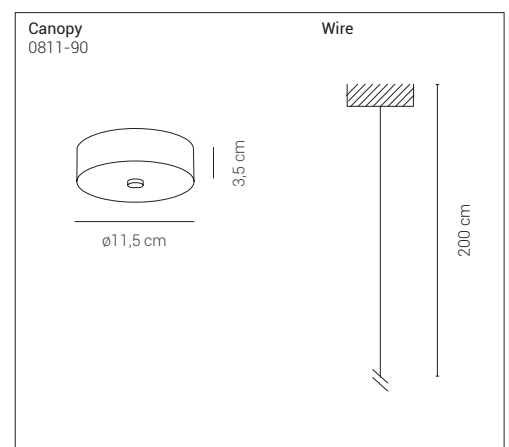
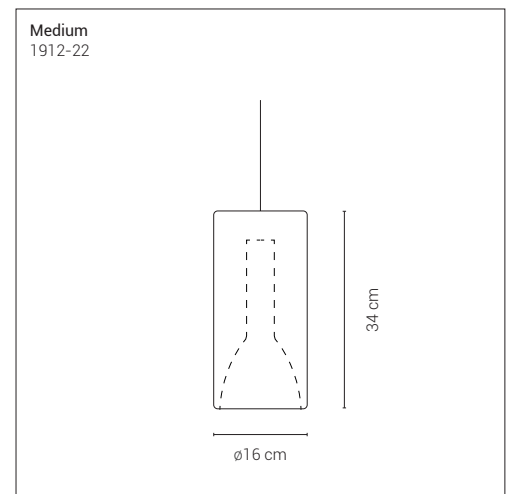
Glass finishes

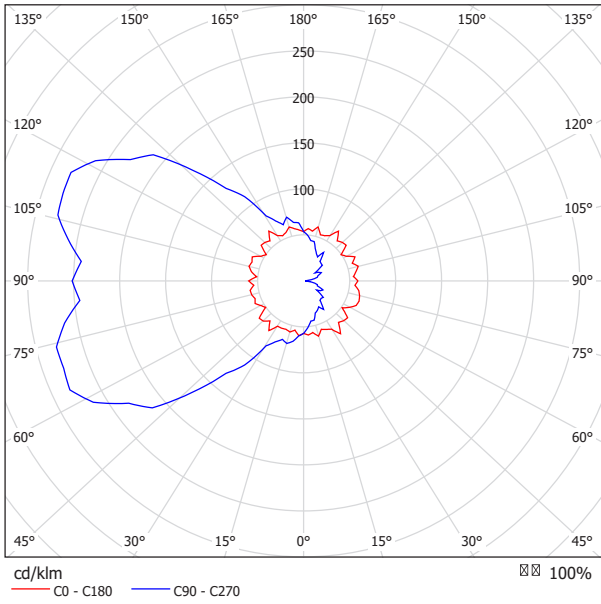
 Blue	 Gold
 Violet	 Orange

Canopy finishes

 White
 Titanium

Certification





Lit medium orange

Lit

Umberto Asnago
2019

1912-21

Suspensions with metal structure and shade in borosilicate glass. Outer shade in the colors: blue, violet, orange and gold. Inner shade in striped sandblasted glass. Ceiling canopy in white or titanium varnished metal.



Montaggio	Suspension
Ambiente	Indoor
Materiali	Borosilicate glass
Voltaggio	230V 50/60Hz
Sorgente	1x 5W LED - E27
Lumen	NA
Dimming	NA

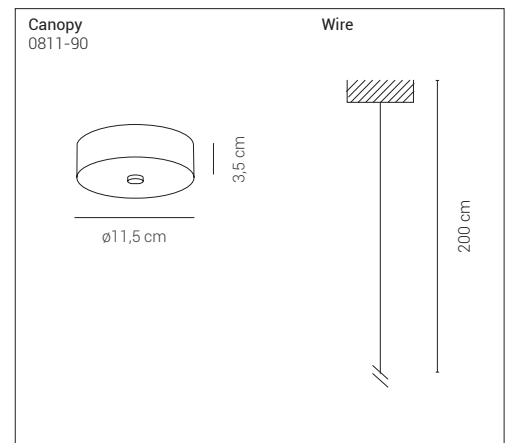
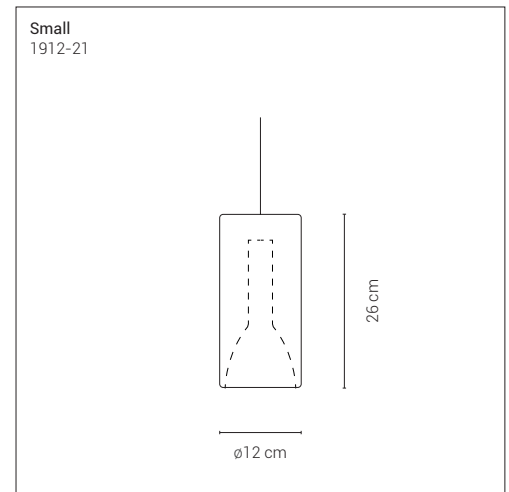
Glass finishes

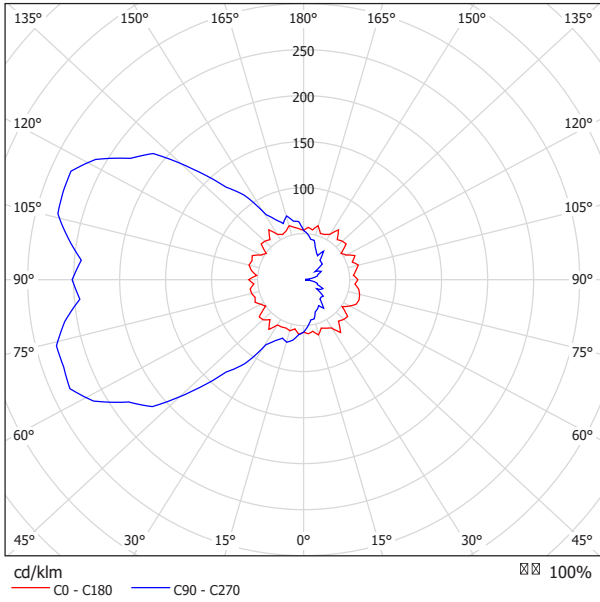


Canopy finishes



Certification





Lit small orange