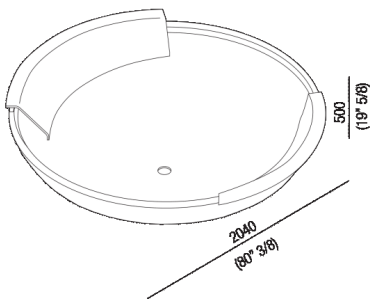




Bathtub with 2 backrests
 AVAS0906D_

Benedini Associati, 2002

Big free-standing bathtub in broad stainless steel.



Finishes

-  Polished
-  White
-  White/dark grey

Materials

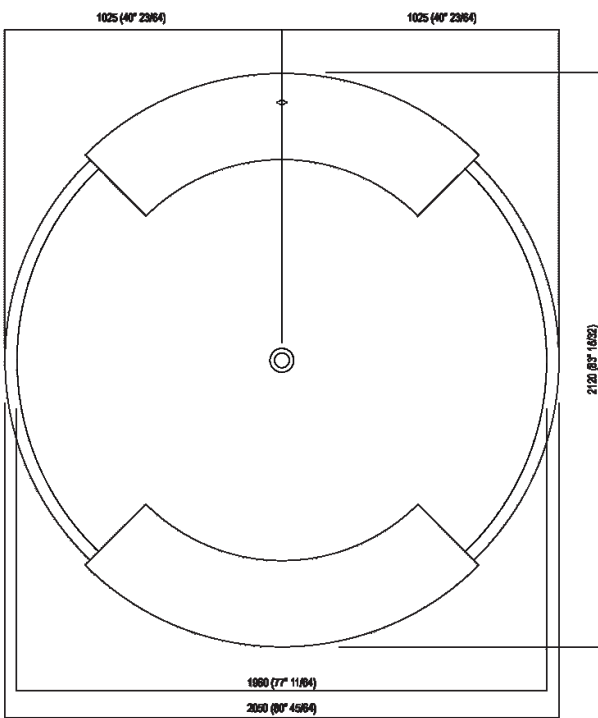
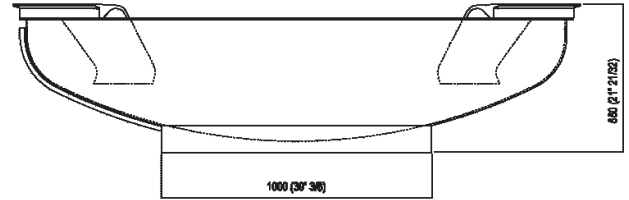
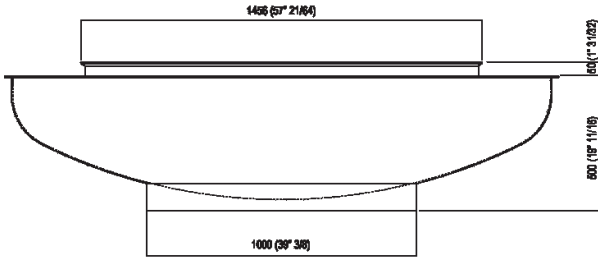
-  Stainless steel

Circular stainless steel bathtub, in polished finish or painted white (RAL9003) with dark grey exterior (RAL7021) with backrest in white Cristalplant® biobased, overflow hole, without tap holes. Taps can be wall or floor mounted. The bath must be fitted with waste trap .MET0433WU (.MET0434 for bathtubs on display). The two-coloured model can be made in a colour chosen by the client, price to be calculated. For an easier installation of the bathtubs we recommend to use the template for the positioning of the waste trap AKITPZVAS.

Height:	50 cm	19" 5/8 inches
Diameter:	204 cm	80" 3/8 inches
Weight:	254 kg	560 lbs
Capacity:	880 l	232 gal
Packaging:	210 x 210 x 55 cm	82" 5/8 x 82" 5/8 x 21" 5/8 inches
Total weight:	424 kg	935 lbs

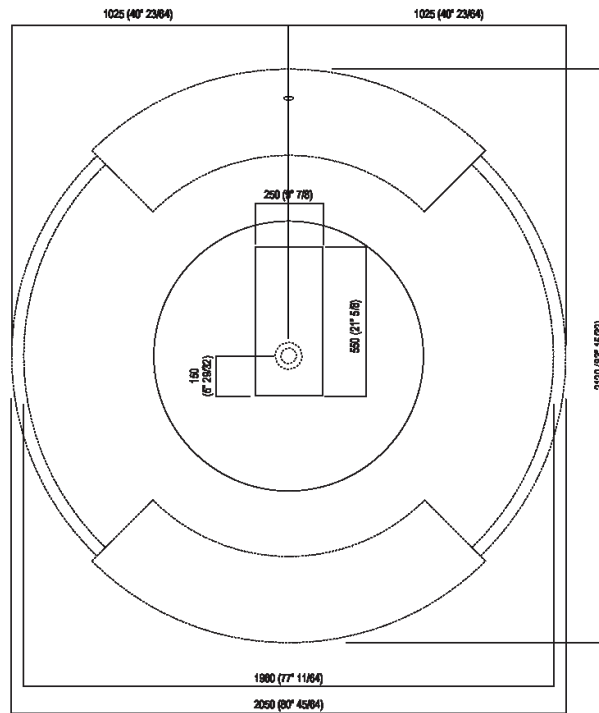


Main dimensions



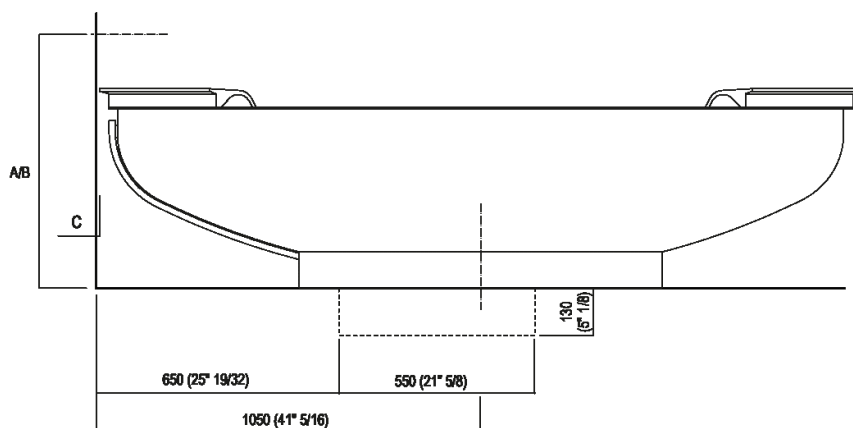


Dimensions for recess





Dimensions for wall mounted taps

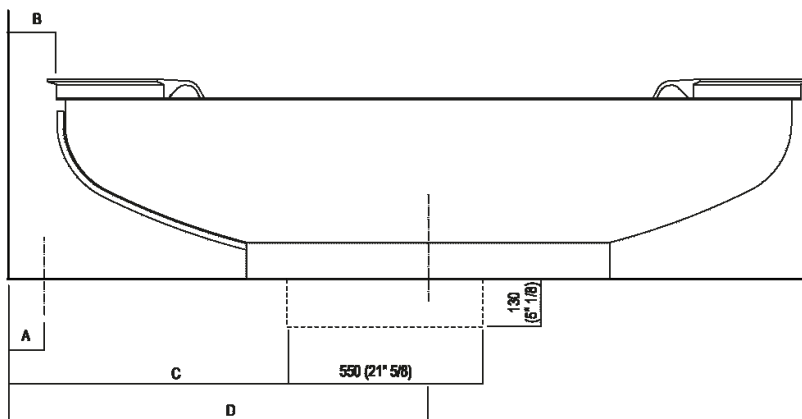


	A*	B**	C
FEZ (EFEZ027)	620 (24*13/32)	-	80 (3*5/32)
LIMÓN (ELIM443)	620 (24*13/32)	-	80 (3*5/32)
MEMORY (EMEM324, EMEM343)	620 (24*13/32)	-	80 (3*5/32)
(EMEM342)	620 (24*13/32)	-	50 (1*31/32)
MEMORY MIX (EMIX437)	620 (24*13/32)	-	50 (1*31/32)
SQUARE (ERUB1117)	-	620 (24*13/32)	50 (1*31/32)
(ERUB1118)	-	620 (24*13/32)	80 (3*5/32)
SEN (ESEN0912V)	-	620 (24*13/32)	80 (3*5/32)

* inserasse gruppo / axial distance for tap
 ** filo inferiore gruppo / Tap's lower edge



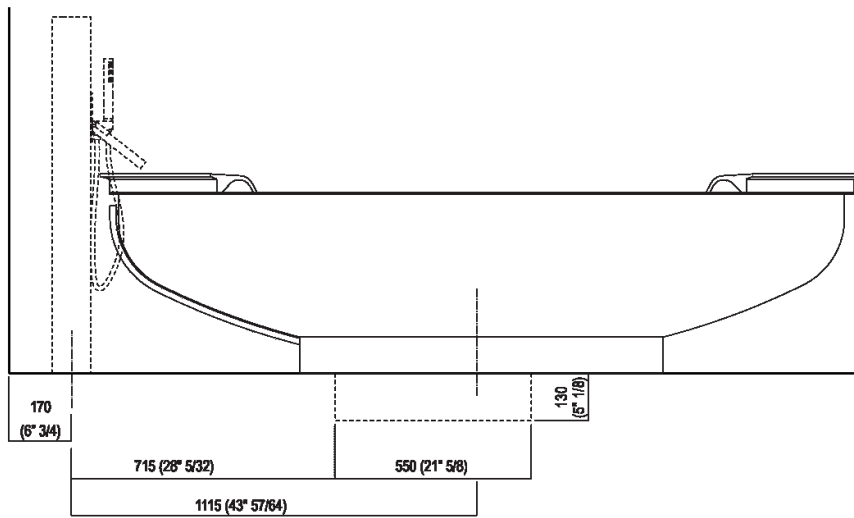
Dimensions for freestanding spouts



	A	B	C	D
FEZ 2 (EFEZ026, .MET885)	90 (3°35/64)	175 (6°57/64)	1075 (42°21/64)	1200 (47°1/4)
(EFEZ028)	135 (5°5/16)	210 (8°17/64)	1110 (43°45/64)	1235 (48°5/8)
LIMÓN (ELIM425)	135 (5°5/16)	210 (8°17/64)	1110 (43°45/64)	1235 (48°5/8)
MEMORY (EMEM325)	135 (5°5/16)	210 (8°17/64)	1110 (43°45/64)	1235 (48°5/8)
MEMORY MIX (EMIX425)	90 (3°35/64)	175 (6°57/64)	1075 (42°21/64)	1200 (47°1/4)
LIMÓN / MEMORY / MEMORY MIX (EMEM327)	135 (5°5/16)	210 (8°17/64)	1110 (43°45/64)	1235 (48°5/8)
SQUARE (ERUB1112, ERUB1115)	90 (3°35/64)	175 (6°57/64)	1075 (42°21/64)	1200 (47°1/4)
SEN (ESEN0911, ESEN0977)	90 (3°35/64)	130 (5°1/8)	1030 (44°31/64)	1155 (45°15/32)

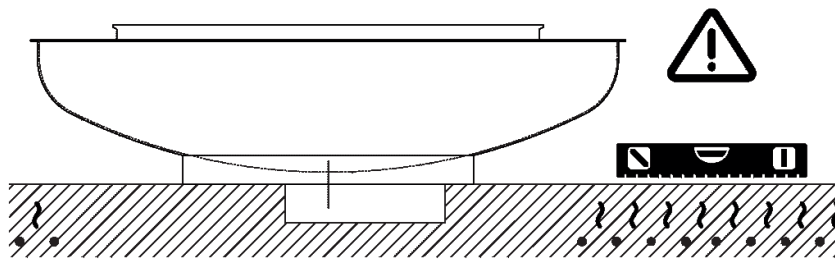


Dimensions for tap support





Note



La vasca deve essere installata su un pavimento perfettamente piano.
The bathtub must be positioned on a flat floor surface.

E' necessario predisporre a pavimento un pozzetto.
It is necessary to prepare a recess in the floor.

Evitare di realizzare impianti di riscaldamento nell'area sottostante la vasca.
Avoid the installation of floor heating plants in the area under the bathtub.