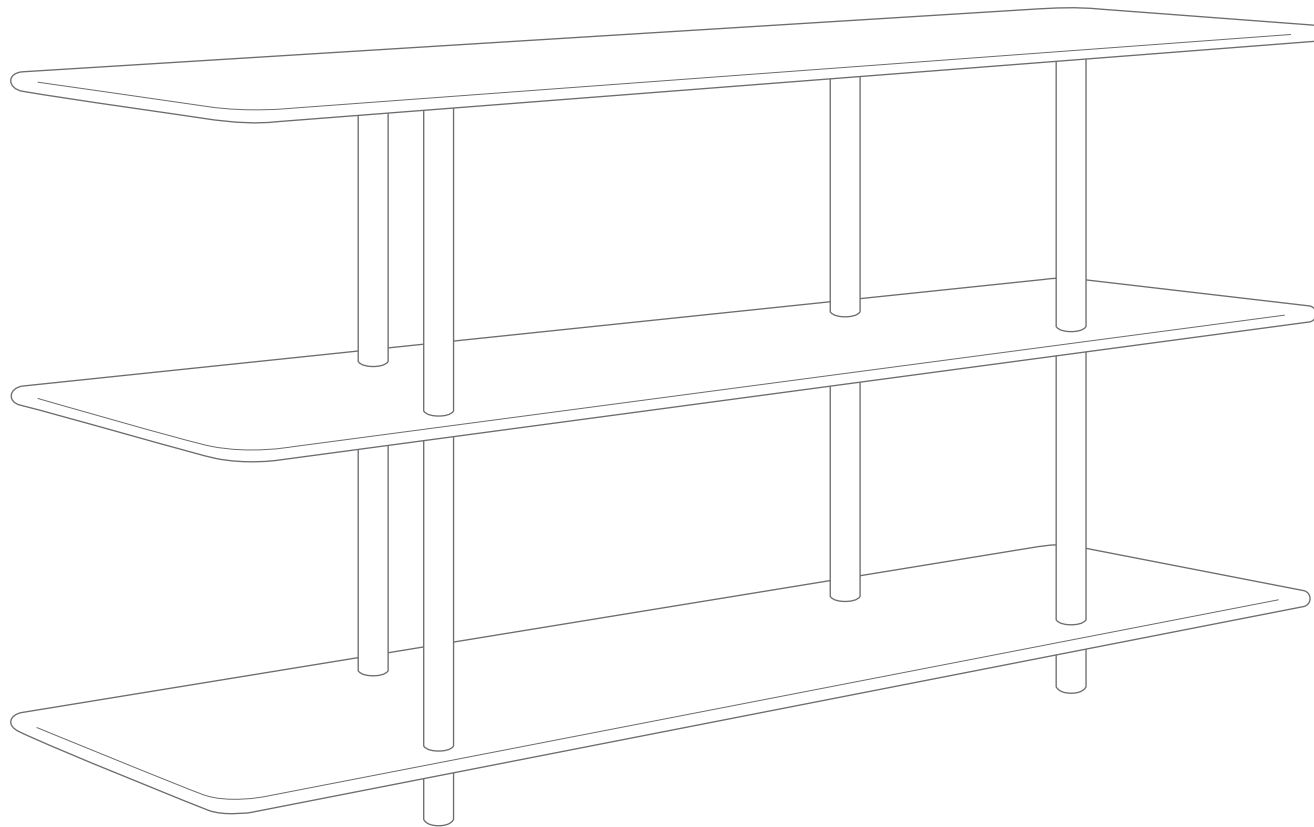


Aero Low Shelving

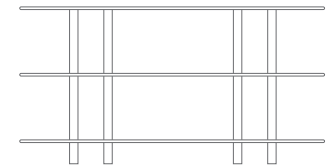
Designed by Gabriel Tan for Design Within Reach

Customer Service:
1.800.944.2233 inside the U.S.
1.203.614.0600 outside the U.S.



Care Instructions

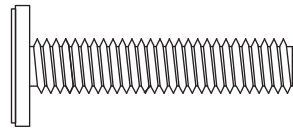
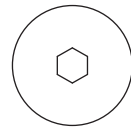
Regularly dust wood with a damp soft cloth. Clean occasionally with a soft cloth dampened with a solution of mild detergent and lukewarm water. Dry completely with a clean towel.



Low Shelving

Hardware Checklist

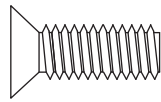
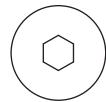
25mm bolt
x 8



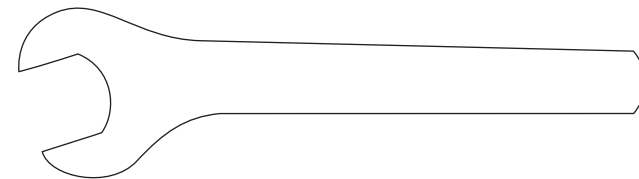
4mm Allen wrench
x 1



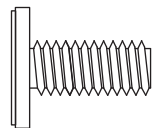
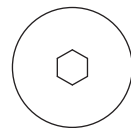
Cone screw
x 12



Wrench
x 1



12mm bolt
(bottom shelf only)
x 12

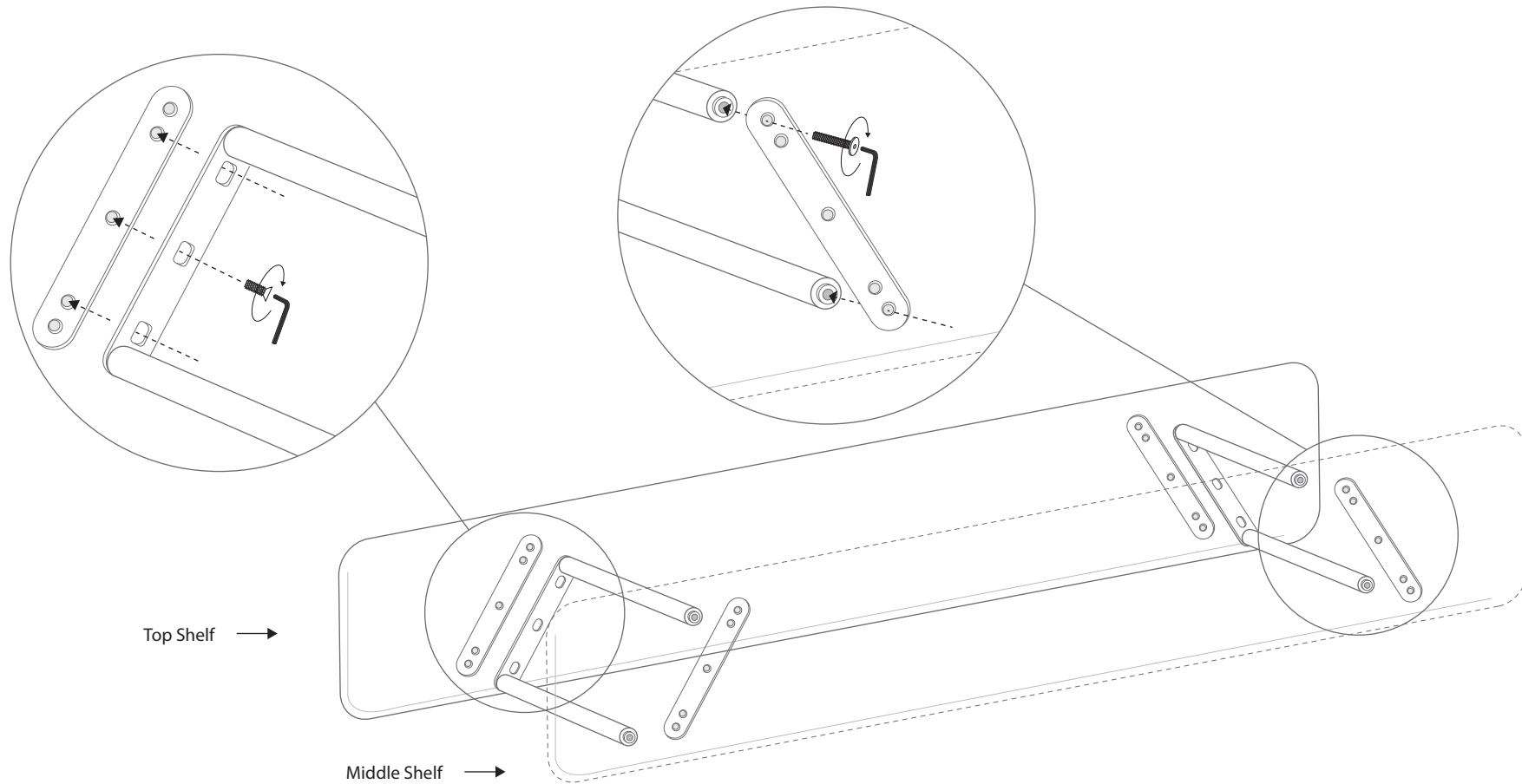


Aero Low Shelving
Designed by Gabriel Tan for Design Within Reach



1. Lay top shelf on a soft surface, top down or on its side. Attach uprights using six cone screws as shown.

2. Align and attach middle shelf on previously installed uprights using four 25mm bolts as shown.

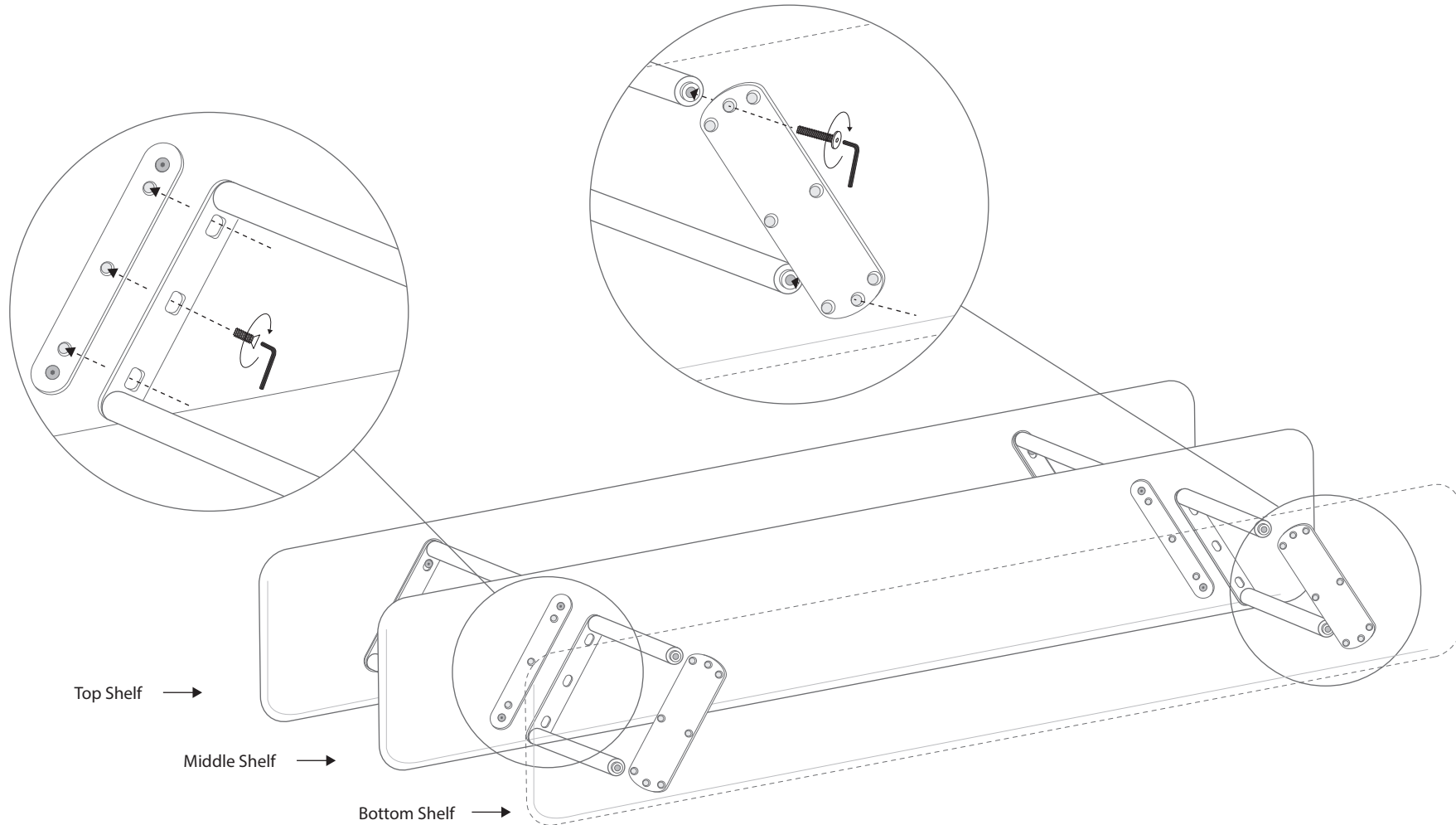


Aero Low Shelving
Designed by Gabriel Tan for Design Within Reach



3. Attach uprights to bottom of middle shelf using six cone screws as shown.

4. Align and attach bottom shelf to uprights installed in previous step using four 25mm bolts as shown.



5. Attach leg brackets to bottom shelf using twelve 12mm bolts as shown.

6. Loosen leveling legs slightly with wrench if necessary to ensure they can be easily adjusted once the shelving is upright and in position.

