

Welcome...

William Brand (1963) - an award-winning architect and sculptor - is widely recognized for his imaginative and daring sculptural lighting.

In 1989, he founded his own atelier Brand van Egmond to create without restraint. His lighting sculptures, often perceived as art pieces, grace the finest residences, exclusive boutiques, stunning hotels and leading art exhibitions.

We welcome everybody who wants to see our designs, or would like personal advice from William Brand and his team, to our office and atelier in Naarden, The Netherlands.



Sultans of Swing

Design by William Brand

Beauty enables us to find and lose ourselves at the same time. Only when paying careful attention, we sometimes hear the quiet whispers of history from beyond the curtain of time. Embracing both times gone by as well as the present.

Sultans of Swing captures Imperial elegance and the sheer pleasure of blowing new life into long-standing shapes and forms.

* Due to the unique process of creating the finishes Brass Burnished, Brass Aged, Nickel Aged and Copper Burnished, lights that will be combined in the same space should be ordered at the same time, in order to prevent lights from looking slightly different from each other. Colours and finishes may appear slightly different by viewing in print or on screens.

DESSANGE SALON Moscow, RU



SOSCC80N

Sultans Of Swing Chandelier Conical
(Ø80xH.100 cm, nickel finish, 14 x E14, 30 kg)



DESSANGE
PARIS



SOSC80N

Sultans Of Swing Chandelier Conical

(Ø80xH.100 cm, nickel finish, 14 x E14, 30 kg)



SOSOC140N

Sultans Of Swing Chandelier Oval

(L.140xW.70xH.55 cm, nickel finish, 14 x E14, 26 kg)



SOSC100N

Sultans Of Swing Chandelier Round

(Ø100xH.55 cm, nickel finish, 14 x E14, 38 kg)



SOSH140N

Sultans Of Swing Hanging Lamp

(L.140xW.40xH.45 cm, nickel finish, 6 x E14, 15 kg)



SOSP60N
Sultans Of Swing Ceiling Lamp
(Ø60xH.35 cm, nickel finish, 6 x E14, 10 kg)



SOSP80N
Sultans Of Swing Ceiling Lamp
(Ø80xH.35 cm, nickel finish, 8 x E14, 13 kg)



SOST65N
Sultans Of Swing Table Lamp
(Ø35xH.65 cm, nickel finish, 3 x E14, 10 kg)



SOSW36N
Sultans Of Swing Wall Lamp
(W.12xH.36xD.12 cm, nickel finish, 1 x E14, 3.5 kg)



SOSW50N
Sultans Of Swing Wall Lamp
(W.25xH.50xD.12 cm, nickel finish, 3 x E14, 11 kg)

Our Sultans of Swing Elements can be shaped and formed to your needs.

You can select from four different single light objects, each with its own characteristic shaped curls.

You can use them by itself or combine them to fit your needs.



A

B

C

D

100SOSST

Sultans Of Swing Elements in 4 standard curves
(Ø30xH.100 cm, stainless steel, 1 x E14, 2,5 kg)



5X100SOSST COMPOSITION

Composition of 5xSultans Of Swing Elements with curves C, B, A, B, D
(Ø30xH.100 cm, stainless steel, 1 x E14, 2,5 kg)



55SOSBLM

Sultans Of Swing Elements in standard curve A
(Ø15xH.55 cm, black matte finish, 1 x E14, 2,0 kg)

Our Sultans of Swing Elements can be shaped and formed to your needs.
You can select from four different single light objects, each with its own characteristic shaped curls.
You can use them by itself or combine them to fit your needs.



A

B

C

D

55SOSBLM

Sultans Of Swing Elements in 4 standard curves
(Ø15xH.55 cm, black matte finish, 1 x E14, 2,0 kg)



100SOSST

Sultans Of Swing Elements with various curves
(Ø30xH.100 cm, stainless steel, 1 x E14, 2,5 kg)



9x 100SOSST COMPOSITION

Composition of 9x Sultans Of Swing Elements with various curves
(Ø30xH.100 cm, stainless steel, 1 x E14, 2,5 kg)

Collection Sultans Of Swing



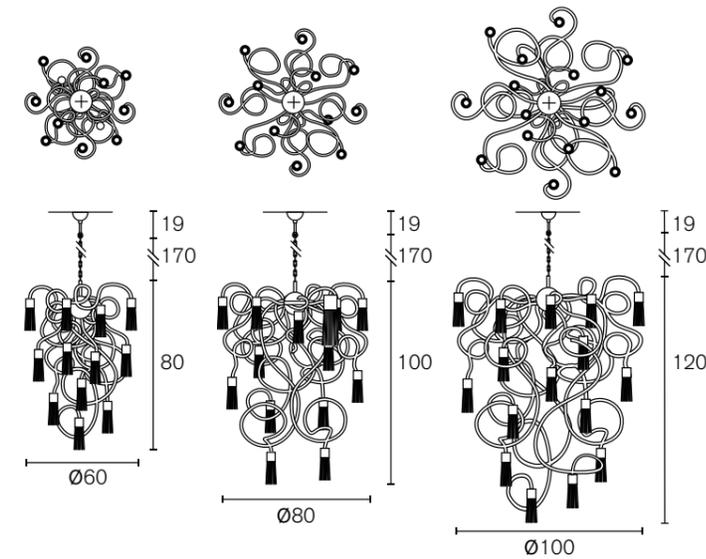
Collection Sultans Of Swing



Chandelier Conical

Collection Images page 175-176

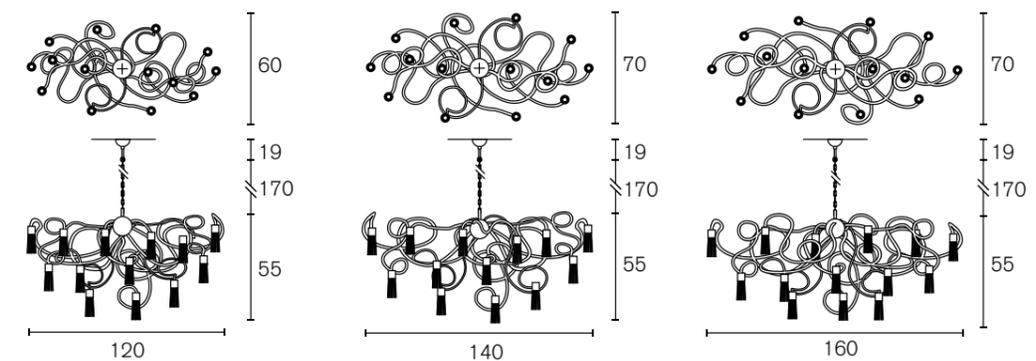
Art.nr.	Dimensions	Light bulb	Weight	Finish
SOSCC60N	Ø60xH.80 cm	12x E14	23,0 kg	nickel finish
SOSCC60GSF	Ø60xH.80 cm	12x E14	23,0 kg	gold satin finish
SOSCC80N	Ø80xH.100 cm	14x E14	30,0 kg	nickel finish
SOSCC80GSF	Ø80xH.100 cm	14x E14	30,0 kg	gold satin finish
SOSCC100N	Ø100xH120 cm	14x E14	38,0 kg	nickel finish
SOSCC100GSF	Ø100xH120 cm	14x E14	38,0 kg	gold satin finish



Chandelier Oval

Collection Images page 177

Art.nr.	Dimensions	Light bulb	Weight	Finish
SOSOC120N	L.120xW.60xH.55 cm	14x E14	21,0 kg	nickel finish
SOSOC120GSF	L.120xW.60xH.55 cm	14x E14	21,0 kg	gold satin finish
SOSOC140N	L.140xW.70xH.55 cm	14x E14	26,0 kg	nickel finish
SOSOC140GSF	L.140xW.70xH.55 cm	14x E14	26,0 kg	gold satin finish
SOSOC160N	L.160xW.70xH.55 cm	14x E14	35,0 kg	nickel finish
SOSOC160GSF	L.160xW.70xH.55 cm	14x E14	35,0 kg	gold satin finish



SOSOC140N

Sultans Of Swing Chandel (L.140xW.70xH.55 cm, nickel finish, 14 x E14, 26,0 kg)

Specifications are subject to change without prior notice.

Catalogue Edition 31

All chandeliers are supplied with 1,7 meter chain, 2 meter electrical cable and a ceiling shade.

Specifications are subject to change without prior notice.

Catalogue Edition 31

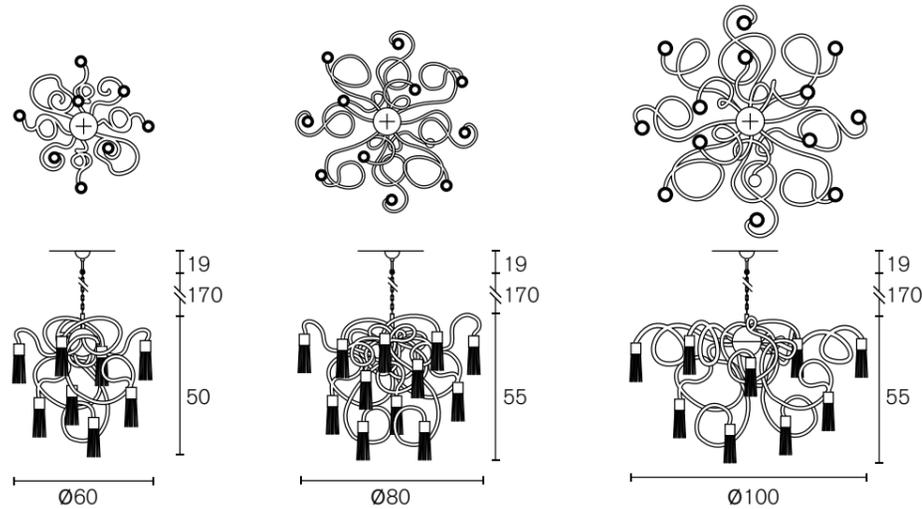
Collection Sultans Of Swing

Chandelier Round



Collection Images page 178

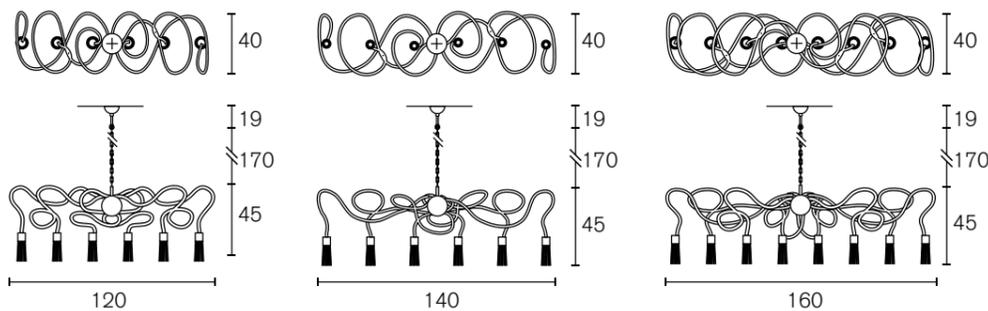
Art.nr.	Dimensions	Light bulb	Weight	Finish
SOSC60N	Ø60xH.50 cm	8x E14	23,0 kg	nickel finish
SOSC60GSF	Ø60xH.50 cm	8x E14	23,0 kg	gold satin finish
SOSC80N	Ø80xH.55 cm	12x E14	30,0 kg	nickel finish
SOSC80GSF	Ø80xH.55 cm	12x E14	30,0 kg	gold satin finish
SOSC100N	Ø100xH.55 cm	14x E14	38,0 kg	nickel finish
SOSC100GSF	Ø100xH.55 cm	14x E14	38,0 kg	gold satin finish



Hanging Lamp

Collection Images page 179

Art.nr.	Dimensions	Light bulb	Weight	Finish
SOSH120N	L.120xW.40xH.45 cm	6x E14	10,0 kg	nickel finish
SOSH120GSF	L.120xW.40xH.45 cm	6x E14	10,0 kg	gold satin finish
SOSH140N	L.140xW.40xH.45 cm	6x E14	15,0 kg	nickel finish
SOSH140GSF	L.140xW.40xH.45 cm	6x E14	15,0 kg	gold satin finish
SOSH160N	L.160xW.40xH.45 cm	8x E14	20,0 kg	nickel finish
SOSH160GSF	L.160xW.40xH.45 cm	8x E14	20,0 kg	gold satin finish



All chandeliers and hanging lamps are supplied with 1,7 meter chain, 2 meter electrical cable and a ceiling shade.
Specifications are subject to change without prior notice.

Collection Sultans Of Swing

Ceiling Lamp Round



Collection Images page 180

Art.nr.	Dimensions	Light bulb	Weight	Finish
SOSP60N	Ø60xH.35 cm	6x E14	10,0 kg	nickel finish
SOSP60GSF	Ø60xH.35 cm	6x E14	10,0 kg	gold satin finish
SOSP80N	Ø80xH.35 cm	8x E14	13,0 kg	nickel finish
SOSP80GSF	Ø80xH.35 cm	8x E14	13,0 kg	gold satin finish
SOSP100N	Ø100xH.35 cm	8x E14	18,0 kg	nickel finish
SOSP100GSF	Ø100xH.35 cm	8x E14	18,0 kg	gold satin finish

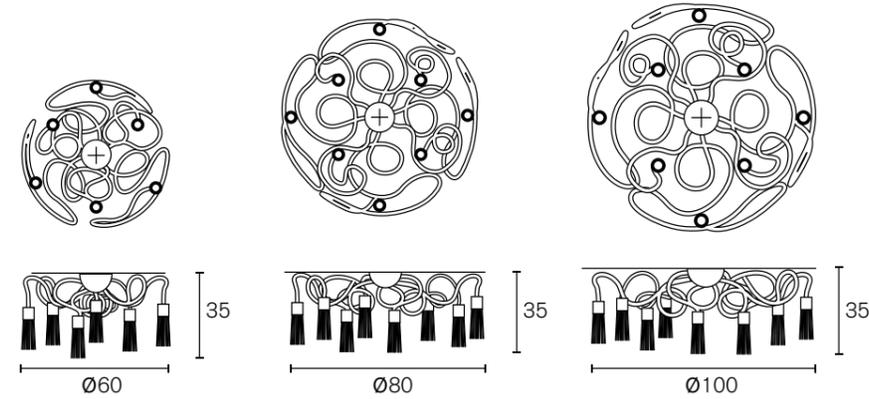
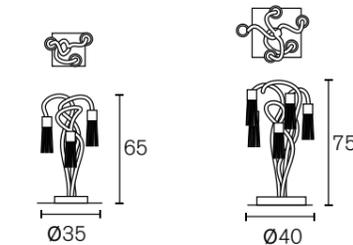


Table Lamp

Collection Images page 181

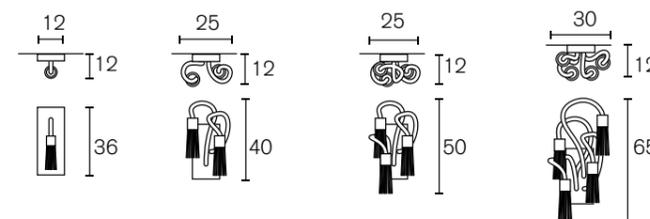
Art.nr.	Dimensions	Light bulb	Weight	Finish
SOST65N	Ø35xH.65 cm	3x E14	10,0 kg	nickel finish
SOST65GSF	Ø35xH.65 cm	3x E14	10,0 kg	gold satin finish
SOST75N	Ø40xH.75 cm	5x E14	12,0 kg	nickel finish
SOST75GSF	Ø40xH.75 cm	5x E14	12,0 kg	gold satin finish



Wall Lamp

Collection Images page 182-183

Art.nr.	Dimensions	Light bulb	Weight	Finish
SOSW36N	W.12xH.36xD.12 cm	1x E14	3,5 kg	nickel finish
SOSW36GSF	W.12xH.36xD.12 cm	1x E14	3,5 kg	gold satin finish
SOSW40N	W.25xH.40xD.12 cm	2x E14	5,0 kg	nickel finish
SOSW40GSF	W.25xH.40xD.12 cm	2x E14	5,0 kg	gold satin finish
SOSW50N	W.25xH.50xD.12 cm	3x E14	11,0 kg	nickel finish
SOSW50GSF	W.25xH.50xD.12 cm	3x E14	11,0 kg	gold satin finish
SOSW65N	W.30xH.65xD.12 cm	4x E14	14,0 kg	nickel finish
SOSW65GSF	W.30xH.65xD.12 cm	4x E14	14,0 kg	gold satin finish



All table lamps are supplied with a dimmer.

Table and wall lamps will be applied with a protective nano wax if ordered in brass burnished or copper burnished finish.
Specifications are subject to change without prior notice.



100SOSST

Sultans Of Swing Elements with various curves
(Ø30xH.100 cm, stainless steel, 1 x E14, 2,0 kg)

Specifications are subject to change without prior notice.

Catalogue Edition 31

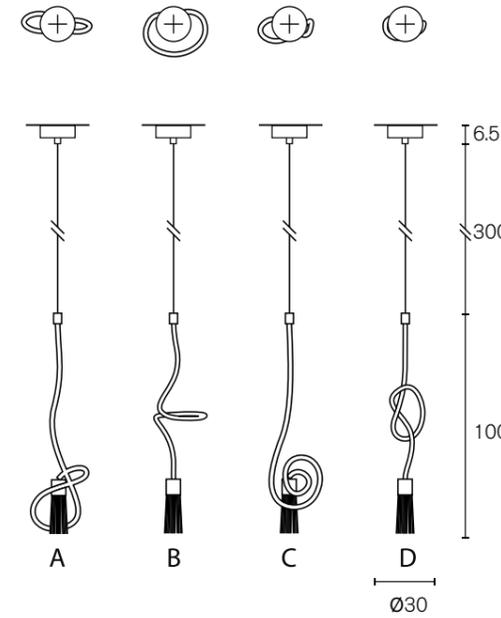
Collection Sultans Of Swing



Collection Images page 184-185, 188-189, 358

Element

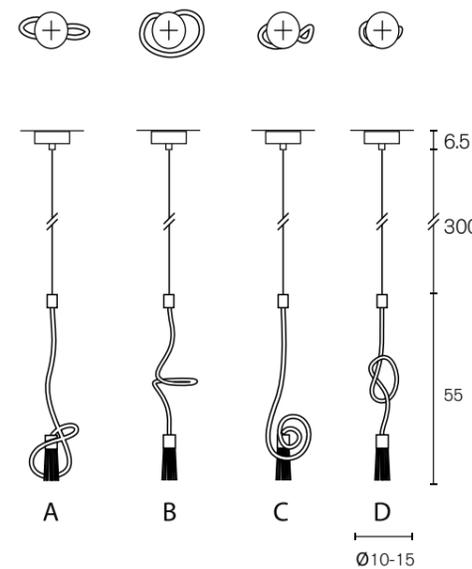
Art.nr.	Dimensions	Light bulb	Weight	Finish
100SOSST	Ø30xH.100 cm	1x E14	2,5 kg	stainless steel
100SOSGSF	Ø30xH.100 cm	1x E14	2,5 kg	gold satin finish



Element

Collection Images page 186-187

Art.nr.	Dimensions	Light bulb	Weight	Finish
55SOSST	Ø15xH.55 cm	1x E14	2,0 kg	stainless steel
55SOSGSF	Ø15xH.55 cm	1x E14	2,0 kg	gold satin finish



All elements are supplied with 3 meter electrical cable and a ceiling shade.

Specifications are subject to change without prior notice.

Catalogue Edition 31