



Enveloping chair completely in solid wood, with seat and back combined through dovetail joints. Revolving aluminium base.

CODE	SIZE	BASE	A1	A2	A3
MATERIA	W.46 x D.56 x H.45/80,5	B2	■	■	■
		B3	■	■	■

**AVAILABLE FINISHES:**

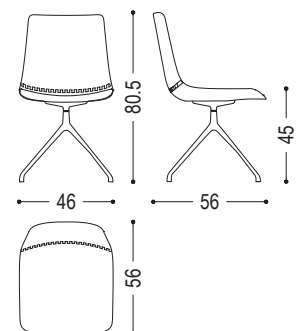
**A1:** walnut without knots, elm

**A2:** oak without knots, cherry, maple

**A3:** oak without knots finish: whitened, mystic black, neutro

**B2:** lacquered iron: iron dust

**B3:** lacquered iron matt brushed effect: aged copper, aged bronze, stainless steel, titanium  
lacquered iron oxidised effect



# MATERIA | AVAILABLE FINISHES

## WOOD

A1



walnut without knots



elm

A2



oak without knots



cherry



maple

A3



oak without knots finish:  
whitened



oak without knots finish:  
mystic black



oak without knots finish:  
neutro

## IRON

B2



lacquered iron:  
iron dust

B3



lacquered iron, matt brushed effect:  
aged copper



lacquered iron, matt brushed effect:  
aged bronze



lacquered iron, matt brushed effect:  
stainless steel



lacquered iron, matt brushed effect:  
titanium



lacquered iron, oxidised effect