



Sofa with linear base in solid wood, with cushions, armrests and back covered in leather or fabric. Available in different dimensions.

IN THE PHOTO: WALNUT (A1) + STRUCTURE IN LEATHER NABUK (D4) + CUSHIONS IN FABRIC MAPLE (D2)

CODE	SIZE	' FOR WOODEN STRUCTURE ONLY			
		A1	A2	A3	A4
MAOLI 100	W.100 x D.96 x H.42/81,5	■	■	■	■
MAOLI 200/220	W.200/220 x D.96 x H.42/81,5	■	■	■	■
MAOLI 280/300	W.280/300 x D.96 x H.42/81,5	■	■	■	■

AVAILABLE FINISHES:

A1: walnut without knots, walnut with knots, elm

A2: oak without knots, oak with knots, cherry, maple

A3: oak without knots finish: whitened, mystic black, neutro
oak with knots finish: whitened, mystic black, neutro

A4: oak without knots pigmented: ash grey, white milk, total black
oak with knots pigmented: ash grey, white milk, total black

' FOR STRUCTURE COVER	MAOLI 100	MAOLI 200/220	MAOLI 280/300
D1	■	■	■
D2	■	■	■
D3	■	■	■
D4	■	■	■
D6	■	■	■

AVAILABLE FINISHES:

D1: fabric: canvas, divina melange 2, hallingdal 65, velvet harald

D2: fabric: maple

D3: leather: camoscio, cristal

D4: leather: nabuk, utah

D6: COL, COM

MAOLI

' FOR CUSHIONS COVERS	MAOLI 100	MAOLI 200/220	MAOLI 280/300
D1	■	■	■
D2	■	■	■
D3	■	■	■
D4	■	■	■
D6	■	■	■

AVAILABLE FINISHES:

D1: fabric: canvas, divina melange 2, hallingdal 65, velvet harald

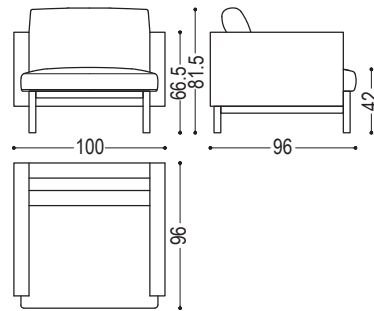
D2: fabric: maple

D3: leather: camoscio, cristal

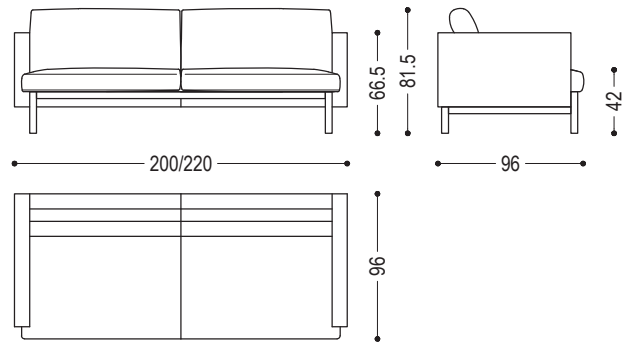
D4: leather: nabuk, utah

D6: COL, COM

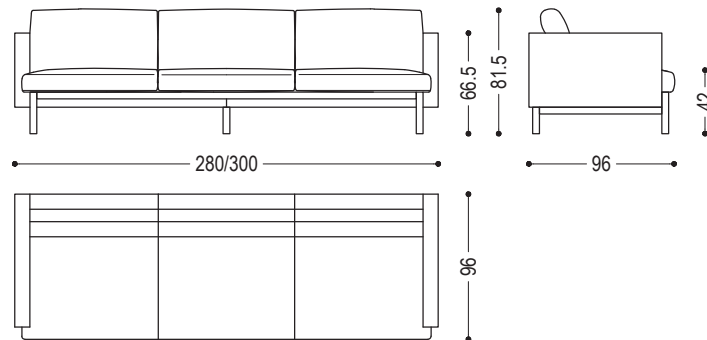
MAOLI 100



MAOLI 200/220



MAOLI 280/300



WOOD

A1



walnut without knots



walnut with knots



elm

A2



oak without knots



oak with knots



cherry



maple

A3



oak without knots finish:
whitened



oak without knots finish:
mystic black



oak without knots finish:
neutro



oak with knots finish:
whitened



oak with knots finish:
mystic black



oak with knots finish:
neutro

A4



oak without knots pigmented:
ash grey



oak without knots pigmented:
white milk



oak without knots pigmented:
total black



oak with knots pigmented:
ash grey

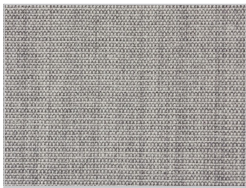
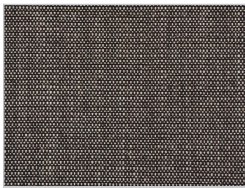
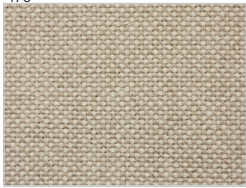



oak with knots pigmented:
white milk



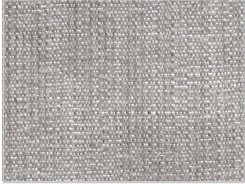
oak with knots pigmented:
total black

LEATHER / FABRIC

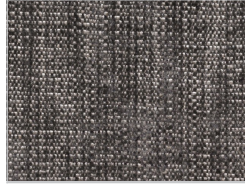
D1					
	<p>fabric: canvas: 114</p>	<p>fabric: canvas: 124</p>	<p>fabric: canvas: 134</p>	<p>fabric: canvas: 154</p>	<p>fabric: canvas: 174</p>
					
	<p>fabric: divina melange 2: 120</p>	<p>fabric: divina melange 2: 170</p>	<p>fabric: divina melange 2: 180</p>	<p>fabric: divina melange 2: 220</p>	<p>fabric: divina melange 2: 260</p>
					
	<p>fabric: divina melange 2: 280</p>	<p>fabric: hallingdal 65: 103</p>	<p>fabric: hallingdal 65: 116</p>	<p>fabric: hallingdal 65: 130</p>	<p>fabric: hallingdal 65: 166</p>
					
	<p>fabric: hallingdal 65: 180</p>				
					
	<p>velvet fabric: harald: 182</p>	<p>velvet fabric: harald: 242</p>	<p>velvet fabric: harald: 283</p>	<p>velvet fabric: harald: 443</p>	<p>velvet fabric: harald: 512</p>
					
<p>velvet fabric: harald: 552</p>	<p>velvet fabric: harald: 582</p>	<p>velvet fabric: harald: 792</p>	<p>velvet fabric: harald: 982</p>		

MAOLI | AVAILABLE FINISHES

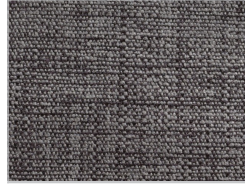
D2



fabric:
maple:
112



fabric:
maple:
132



fabric:
maple:
142



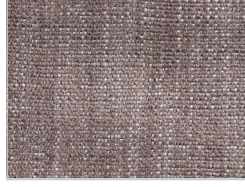
fabric:
maple:
162



fabric:
maple:
192



fabric:
maple:
222



fabric:
maple:
232



fabric:
maple:
362



fabric:
maple:
742



fabric:
maple:
792

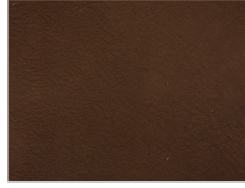
D3



Leather camoscio:
1



Leather camoscio:
10



Leather camoscio:
11



Leather camoscio:
26



Leather camoscio:
27



Leather camoscio:
28



Leather camoscio:
31



Leather cristal:
13



Leather cristal:
14



Leather cristal:
17



Leather cristal:
18



Leather cristal:
37



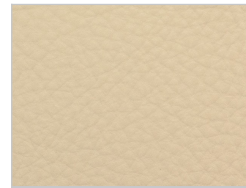
Leather cristal:
49



Leather cristal:
51



Leather cristal:
65



Leather cristal:
70

MAOLI | AVAILABLE FINISHES

D4



Leather nabuk:
101



Leather nabuk:
102



Leather nabuk:
103



Leather nabuk:
104



Leather nabuk:
105



Leather nabuk:
106



Leather nabuk:
107



Leather nabuk:
108



Leather nabuk:
109



Leather utah:
101



Leather utah:
102



Leather utah:
103



Leather utah:
104



Leather utah:
105



Leather utah:
106



Leather utah:
107



Leather utah:
108