

**Choose the language**

**English**

**Italiano**

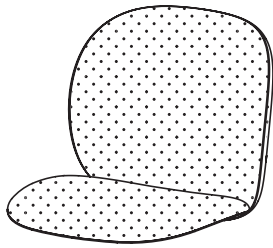
**Deutsch**

**Français**

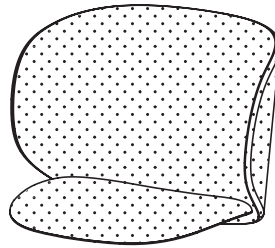
**Español**

# DUA

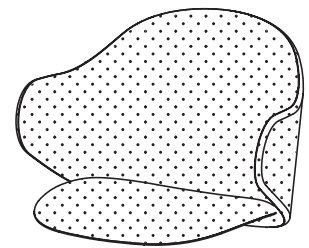
## Components



Backrest 1 (small)



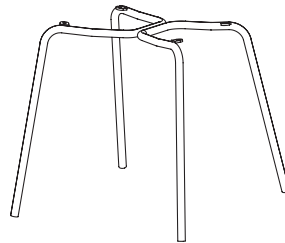
Backrest 2 (large)



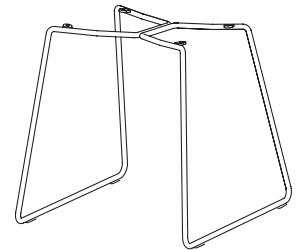
Backrest 3 (with armrests)



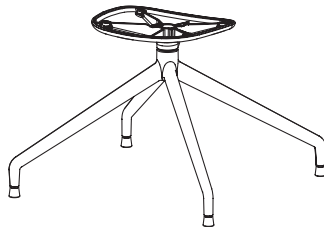
Wooden base



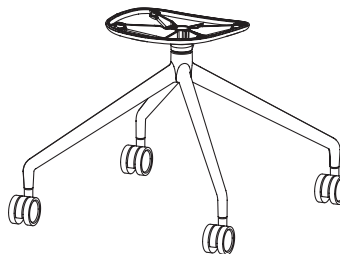
Four legs



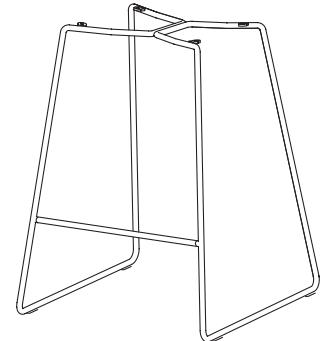
Slide frame



Swivel trestle



Trestle with wheels



Stool

# DUA

## Wooden base

**Underseat frame finish:**  
White lacquered aluminium  
Black lacquered aluminium

**Base finish:**  
Solid beech  
Solid european oak  
Walnut stained solid oak  
Lacquered solid wood (white, black)

**Finish of cover:**  
A = Valencia (synthetic leather)  
B = Field 2, COM (Customer fabric)  
C = Clara 2, Merit, COL (Customer leather)  
D = Curmi, Remix 2, Patio, Regal  
E = Canvas 2, Hero, Scuba  
F = Melange Nap, Steelcut Trio 3  
G = Divina Melange 3  
H = Hallingdal 65, Twill Weave  
L1 = Coast (corrected grain leather)  
L2 = Elmosoft (semi-aniline leather)  
L3 = Elmotique (aniline leather)

**Note:**  
For COM/COL orders, see inside cover.

For info on fabric composition, see inside cover.

Seat upholstered in NON-REMOVABLE fabric.

**Attention:** if not specified when ordering, the finishing of the ring under the seat will have these characteristics:  
Wood legs = black underseat frame.  
Painted wood legs = underseat frame in the same colour as the legs.

**FEET:**  
Standard in hard plastic. On request we supply feet with felt insert for wooden floors.

**Backrest consumption 1:**  
COM: 1 ml (H. 140 cm).  
COL: 1,8 mq.  
**Backrest consumption 2-3:**  
COM: 1,3 ml (H. 140 cm).  
COL: 2,3 mq.

Seat NOT Stackable.

Reinforced packaging, see inside cover.

### Backrest 1 (small)

Code	Base	Cover											pack	m <sup>3</sup>	Kg			
		A	B	C	D	E	F	G	H	L1	L2	L3						
05DUA11	Beech															1	0,25	9,1
	Oak, Lacquered wood																	

1 armchair in each package

### Backrest 2 (large)

Code	Base	Cover											pack	m <sup>3</sup>	Kg			
		A	B	C	D	E	F	G	H	L1	L2	L3						
05DUA12	Beech															1	0,3	10,8
	Oak, Lacquered wood																	

1 armchair in each package

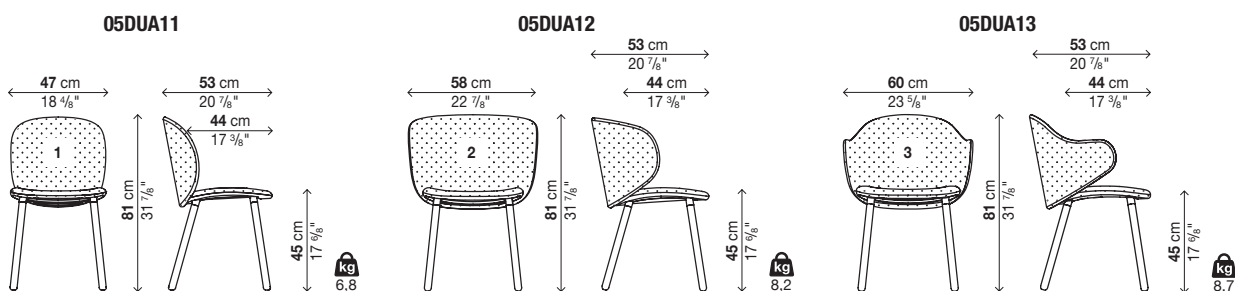
### Backrest 3 (with armrests)

Code	Base	Cover											pack	m <sup>3</sup>	Kg			
		A	B	C	D	E	F	G	H	L1	L2	L3						
05DUA13	Beech															1	0,3	10,9
	Oak, Lacquered wood																	

1 armchair in each package

### Optionals

Code	Description	pack	m <sup>3</sup>	Kg
02PIE11	Set of felt feet	-	-	-



# DUA

## Four legs

### Base finish:

Polished chrome steel  
 Black chrome steel  
 Brass-effect steel  
 Lacquered steel (white, black)

### Finish of cover:

A = Valencia (synthetic leather)  
 B = Field 2, COM (Customer fabric)  
 C = Clara 2, Merit, COL (Customer leather)  
 D = Curmi, Remix 2, Patio, Regal  
 E = Canvas 2, Hero, Scuba  
 F = Melange Nap, Steelcut Trio 3  
 G = Divina Melange 3  
 H = Hallingdal 65, Twill Weave  
 L1 = Coast (corrected grain leather)  
 L2 = Elmosoft (semi-aniline leather)  
 L3 = Elmotique (aniline leather)

### Note:

For COM/COL orders, see inside cover.

For info on fabric composition, see inside cover.

Seat upholstered in NON-REMOVABLE fabric.

### FEET:

Standard in hard plastic. On request we supply feet with felt insert for wooden floors.

### Backrest consumption 1:

COM: 1 ml (H. 140 cm).  
 COL: 1,8 mq.

### Backrest consumption 2-3:

COM: 1,3 ml (H. 140 cm).  
 COL: 2,3 mq.

Seat NOT Stackable.

Reinforced packaging, see inside cover.

### Backrest 1 (small)

Code	Base	Cover											pack	m <sup>2</sup>	Kg			
		A	B	C	D	E	F	G	H	L1	L2	L3						
05DUA17	Lacquered steel, Polished chrome steel, Black chrome steel															1	0,25	8,9
	Brass-effect steel																	

1 armchair in each package

### Backrest 2 (large)

Code	Base	Cover											pack	m <sup>2</sup>	Kg			
		A	B	C	D	E	F	G	H	L1	L2	L3						
05DUA18	Lacquered steel, Polished chrome steel, Black chrome steel															1	0,3	10,5
	Brass-effect steel																	

1 armchair in each package

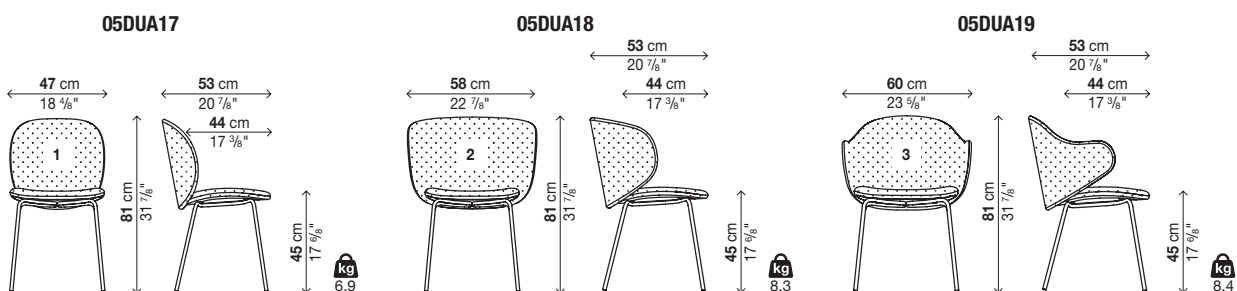
### Backrest 3 (with armrests)

Code	Base	Cover											pack	m <sup>2</sup>	Kg			
		A	B	C	D	E	F	G	H	L1	L2	L3						
05DUA19	Lacquered steel, Polished chrome steel, Black chrome steel															1	0,3	10,6
	Brass-effect steel																	

1 armchair in each package

### Optionals

Code	Description	pack	m <sup>3</sup>	Kg
02PIE12	Set of felt feet	-	-	-



# DUA

## Slide frame

### Base finish:

Polished chrome steel  
Black chrome steel  
Brass-effect steel  
Lacquered steel (white, black)

### Finish of cover:

A = Valencia (synthetic leather)  
B = Field 2, COM (Customer fabric)  
C = Clara 2, Merit, COL (Customer leather)  
D = Curmi, Remix 2, Patio, Regal  
E = Canvas 2, Hero, Scuba  
F = Melange Nap, Steelcut Trio 3  
G = Divina Melange 3  
H = Hallingdal 65, Twill Weave  
L1 = Coast (corrected grain leather)  
L2 = Elmosoft (semi-aniline leather)  
L3 = Elmotique (aniline leather)

### Note:

For COM/COL orders, see inside cover.

For info on fabric composition, see inside cover.

Seat upholstered in NON-REMOVABLE fabric.

### FEET:

Standard in hard plastic. On request we supply feet with felt insert for wooden floors.

Backrest consumption 1:

COM: 1 ml (H. 140 cm).

COL: 1,8 mq.

Backrest consumption 2-3:

COM: 1,3 ml (H. 140 cm).

COL: 2,3 mq.

Seat NOT Stackable.

Reinforced packaging, see inside cover.

### Backrest 1 (small)

Code	Base	Cover											pack	m <sup>3</sup>	Kg		
		A	B	C	D	E	F	G	H	L1	L2	L3					
05DUA23	Lacquered steel																
	Polished chrome steel, Black chrome steel																1 0,25 10,3
	Brass-effect steel																

1 armchair in each package

### Backrest 2 (large)

Code	Base	Cover											pack	m <sup>3</sup>	Kg		
		A	B	C	D	E	F	G	H	L1	L2	L3					
05DUA24	Lacquered steel																
	Polished chrome steel, Black chrome steel																1 0,3 11,9
	Brass-effect steel																

1 armchair in each package

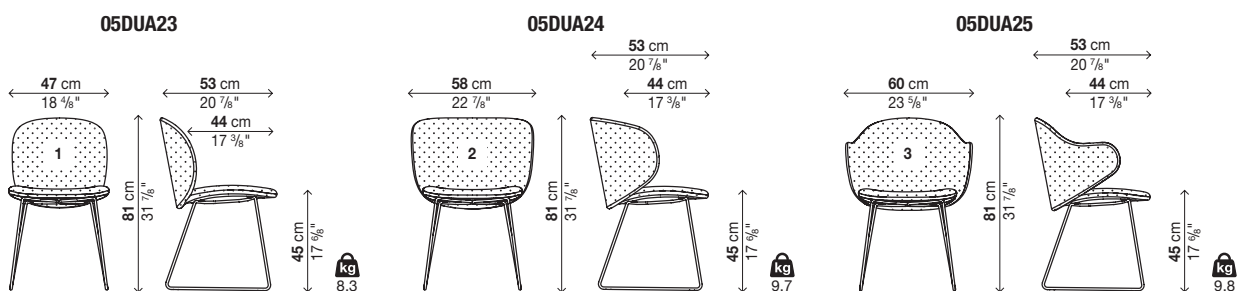
### Backrest 3 (with armrests)

Code	Base	Cover											pack	m <sup>3</sup>	Kg		
		A	B	C	D	E	F	G	H	L1	L2	L3					
05DUA25	Lacquered steel																
	Polished chrome steel, Black chrome steel																1 0,3 12
	Brass-effect steel																

1 armchair in each package

### Optionals

Code	Description	pack	m <sup>3</sup>	Kg
02PIE13	Set of felt feet	-	-	-



# DUA

## Swivel trestle

### Base finish:

Polished aluminium  
Lacquered aluminium (white, black)

### Finish of cover:

A = Valencia (synthetic leather)  
B = Field 2, COM (Customer fabric)  
C = Clara 2, Merit, COL (Customer leather)  
D = Curmi, Remix 2, Patio, Regal  
E = Canvas 2, Hero, Scuba  
F = Melange Nap, Steelcut Trio 3  
G = Divina Melange 3  
H = Hallingdal 65, Twill Weave  
L1 = Coast (corrected grain leather)  
L2 = Elmosoft (semi-aniline leather)  
L3 = Elmotique (aniline leather)

### Note:

For COM/COL orders, see inside cover.

For info on fabric composition, see inside cover.

Seat upholstered in NON-REMOVABLE fabric.

### FEET:

Standard with felt insert for wooden floors.

### Backrest consumption 1:

COM: 1 ml (H. 140 cm).

COL: 1,8 mq.

### Backrest consumption 2-3:

COM: 1,3 ml (H. 140 cm).

COL: 2,3 mq.

Reinforced packaging, see inside cover.

### Backrest 1 (small)

Code	Base	Cover											pack	m <sup>2</sup>	Kg				
		A	B	C	D	E	F	G	H	L1	L2	L3							
05DUA30	Lacquered aluminium																1	0,3	11,7
	Polished aluminium																		

1 armchair in each package

### Backrest 2 (large)

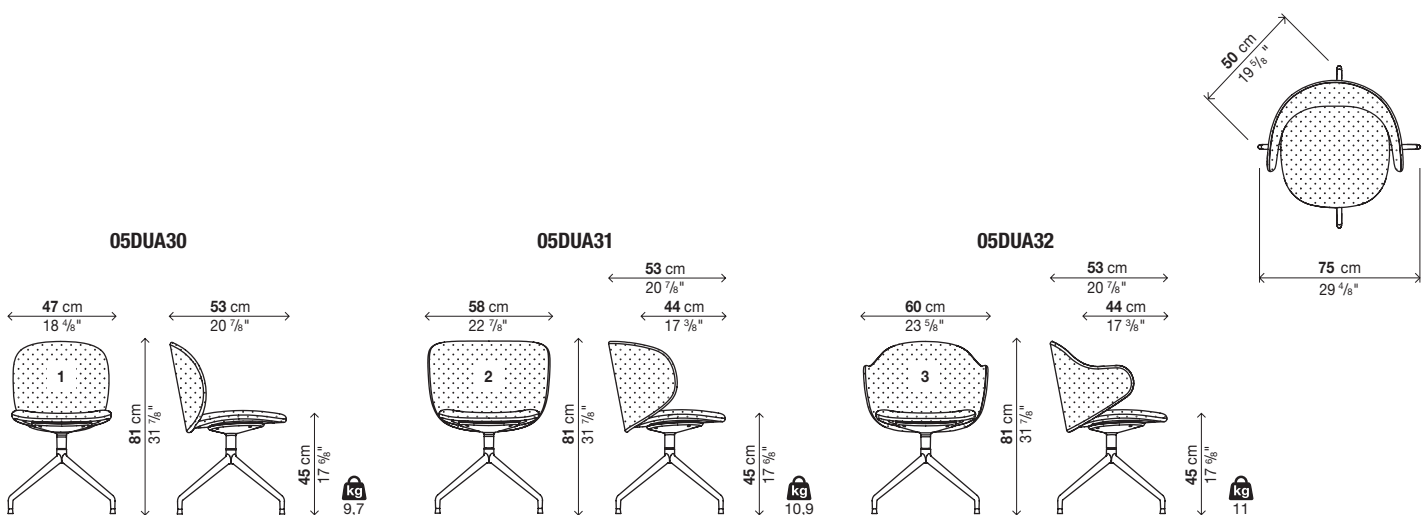
Code	Base	Cover											pack	m <sup>2</sup>	Kg				
		A	B	C	D	E	F	G	H	L1	L2	L3							
05DUA31	Lacquered aluminium																1	0,3	12,9
	Polished aluminium																		

1 armchair in each package

### Backrest 3 (with armrests)

Code	Base	Cover											pack	m <sup>2</sup>	Kg				
		A	B	C	D	E	F	G	H	L1	L2	L3							
05DUA32	Lacquered aluminium																1	0,3	13
	Polished aluminium																		

1 armchair in each package



# DUA

## Trestle with wheels

### Base finish:

Polished aluminium  
Lacquered aluminium (white, black)

### Finish of cover:

A = Valencia (synthetic leather)  
B = Field 2, COM (Customer fabric)  
C = Clara 2, Merit, COL (Customer leather)  
D = Curmi, Remix 2, Patio, Regal  
E = Canvas 2, Hero, Scuba  
F = Melange Nap, Steelcut Trio 3  
G = Divina Melange 3  
H = Hallingdal 65, Twill Weave  
L1 = Coast (corrected grain leather)  
L2 = Elmosoft (semi-aniline leather)  
L3 = Elmotique (aniline leather)

### Note:

For COM/COL orders, see inside cover.

For info on fabric composition, see inside cover.

Seat upholstered in NON-REMOVABLE fabric.

Soft tread, self-locking swivel castors.

Backrest consumption 1:

COM: 1 ml (H. 140 cm).

COL: 1,8 mq.

Backrest consumption 2-3:

COM: 1,3 ml (H. 140 cm).

COL: 2,3 mq.

Reinforced packaging, see inside cover.

### Backrest 1 (small)

Code	Base	Cover											pack	m <sup>3</sup>	Kg			
		A	B	C	D	E	F	G	H	L1	L2	L3						
05DUA33	Lacquered aluminium															1	0,3	11,7
	Polished aluminium																	

1 armchair in each package

### Backrest 2 (large)

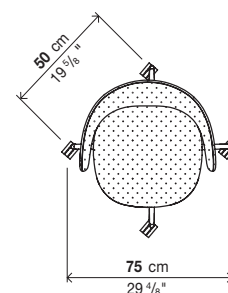
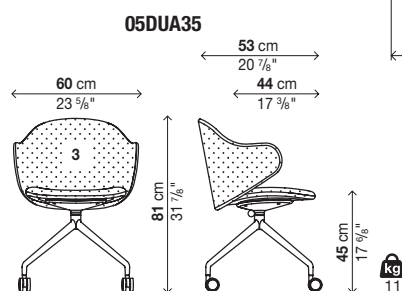
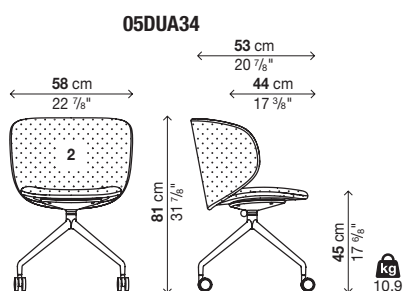
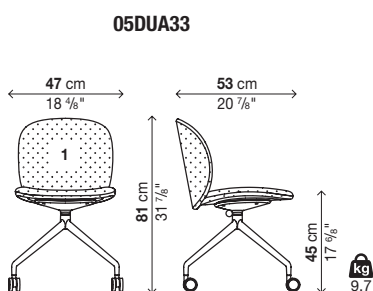
Code	Base	Cover											pack	m <sup>3</sup>	Kg			
		A	B	C	D	E	F	G	H	L1	L2	L3						
05DUA34	Lacquered aluminium															1	0,3	12,9
	Polished aluminium																	

1 armchair in each package

### Backrest 3 (with armrests)

Code	Base	Cover											pack	m <sup>3</sup>	Kg			
		A	B	C	D	E	F	G	H	L1	L2	L3						
05DUA35	Lacquered aluminium															1	0,3	13
	Polished aluminium																	

1 armchair in each package



# DUA

## Low stool on slide frame (seat height 66 cm)

### Base finish:

Polished chrome steel  
 Black chrome steel  
 Brass-effect steel  
 Lacquered steel (white, black)

### Finish of cover:

A = Valencia (synthetic leather)  
 B = Field 2, COM (Customer fabric)  
 C = Clara 2, Merit, COL (Customer leather)  
 D = Curmi, Remix 2, Patio, Regal  
 E = Canvas 2, Hero, Scuba  
 F = Melange Nap, Steelcut Trio 3  
 G = Divina Melange 3  
 H = Hallingdal 65, Twill Weave  
 L1 = Coast (corrected grain leather)  
 L2 = Elmosoft (semi-aniline leather)  
 L3 = Elmotique (aniline leather)

### Note:

For COM/COL orders, see inside cover.

For info on fabric composition, see inside cover.

Seat upholstered in NON-REMOVABLE fabric.

### FEET:

Standard in hard plastic. On request we supply feet with felt insert for wooden floors.

### Backrest consumption 1:

COM: 1 ml (H. 140 cm).

COL: 1,8 mq.

### Backrest consumption 2-3:

COM: 1,3 ml (H. 140 cm).

COL: 2,3 mq.

Reinforced packaging, see inside cover.

### Backrest 1 (small)

Code	Base	Cover											pack	m <sup>3</sup>	Kg		
		A	B	C	D	E	F	G	H	L1	L2	L3					
05DUA50	Lacquered steel																
	Polished chrome steel, Black chrome steel																1 0,35 12,2
	Brass-effect steel																

1 armchair in each package

### Backrest 2 (large)

Code	Base	Cover											pack	m <sup>3</sup>	Kg		
		A	B	C	D	E	F	G	H	L1	L2	L3					
05DUA51	Lacquered steel																
	Polished chrome steel, Black chrome steel																1 0,42 13,8
	Brass-effect steel																

1 armchair in each package

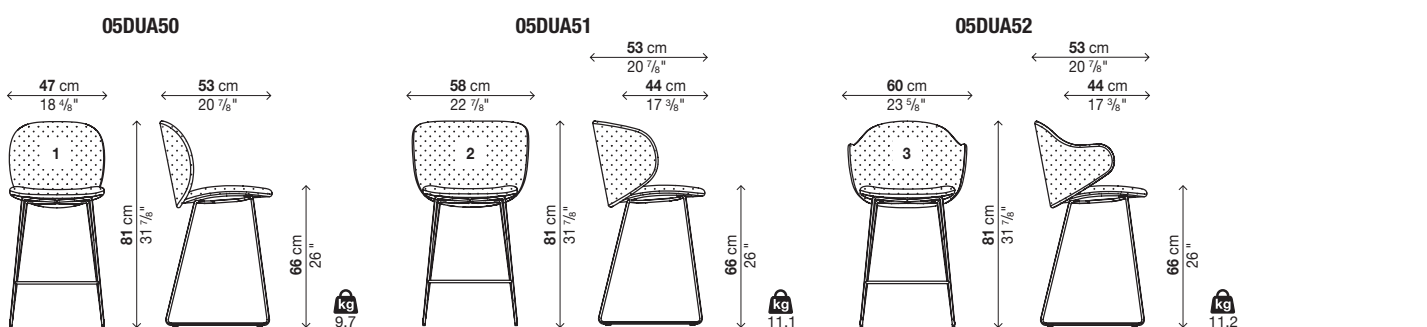
### Backrest 3 (with armrests)

Code	Base	Cover											pack	m <sup>3</sup>	Kg		
		A	B	C	D	E	F	G	H	L1	L2	L3					
05DUA52	Lacquered steel																
	Polished chrome steel, Black chrome steel																1 0,42 13,9
	Brass-effect steel																

1 armchair in each package

### Optionals

Code	Description	pack	m <sup>3</sup>	Kg
02PIE13	Set of felt feet	-	-	-





# DUA

## High stool on slide frame (seat height 76 cm)

### Base finish:

Polished chrome steel  
 Black chrome steel  
 Brass-effect steel  
 Lacquered steel (white, black)

### Finish of cover:

A = Valencia (synthetic leather)  
 B = Field 2, COM (Customer fabric)  
 C = Clara 2, Merit, COL (Customer leather)  
 D = Curmi, Remix 2, Patio, Regal  
 E = Canvas 2, Hero, Scuba  
 F = Melange Nap, Steelcut Trio 3  
 G = Divina Melange 3  
 H = Hallingdal 65, Twill Weave  
 L1 = Coast (corrected grain leather)  
 L2 = Elmosoft (semi-aniline leather)  
 L3 = Elmotique (aniline leather)

### Note:

For COM/COL orders, see inside cover.

For info on fabric composition, see inside cover.

Seat upholstered in NON-REMOVABLE fabric.

### FEET:

Standard in hard plastic. On request we supply feet with felt insert for wooden floors.

Backrest consumption 1:

COM: 1 ml (H. 140 cm).

COL: 1,8 mq.

Backrest consumption 2-3:

COM: 1,3 ml (H. 140 cm).

COL: 2,3 mq.

Reinforced packaging, see inside cover.

### Backrest 1 (small)

Code	Base	Cover											pack	m <sup>3</sup>	Kg		
		A	B	C	D	E	F	G	H	L1	L2	L3					
05DUA53	Lacquered steel																
	Polished chrome steel, Black chrome steel																1 0,37 13,2
	Brass-effect steel																

1 armchair in each package

### Backrest 2 (large)

Code	Base	Cover											pack	m <sup>3</sup>	Kg		
		A	B	C	D	E	F	G	H	L1	L2	L3					
05DUA54	Lacquered steel																
	Polished chrome steel, Black chrome steel																1 0,45 14,6
	Brass-effect steel																

1 armchair in each package

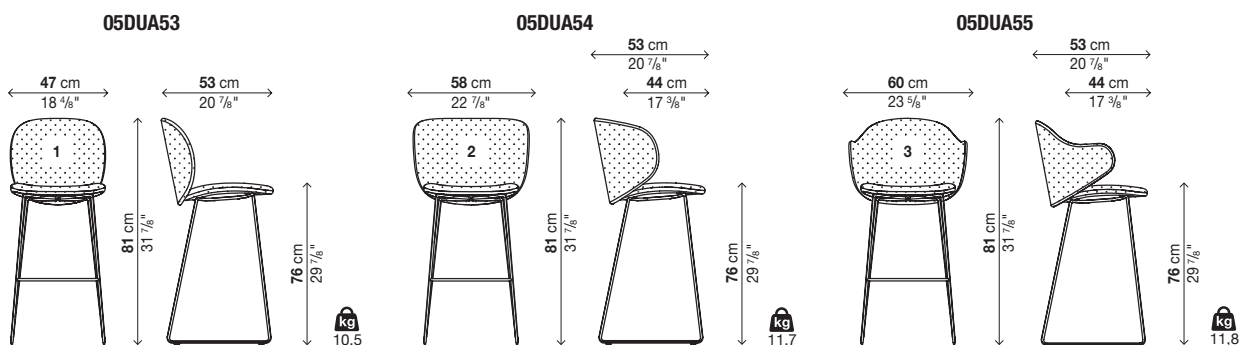
### Backrest 3 (with armrests)

Code	Base	Cover											pack	m <sup>3</sup>	Kg		
		A	B	C	D	E	F	G	H	L1	L2	L3					
05DUA55	Lacquered steel																
	Polished chrome steel, Black chrome steel																1 0,45 14,7
	Brass-effect steel																

1 armchair in each package

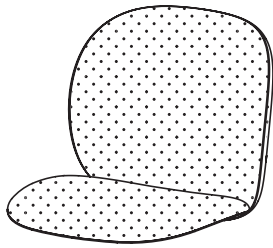
### Optionals

Code	Description	pack	m <sup>3</sup>	Kg
02PIE13	Set of felt feet	-	-	-

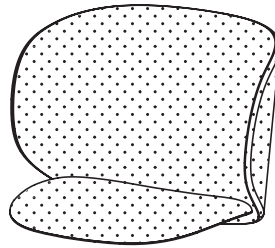


# **DUA**

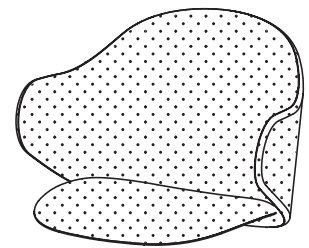
## **Legenda**



**Schienale 1 (piccolo)**



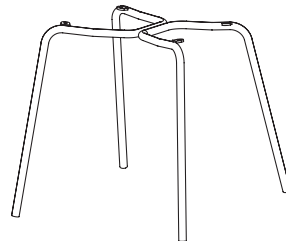
**Schienale 2 (grande)**



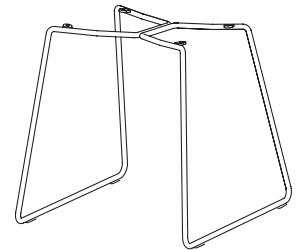
**Schienale 3 (con braccioli)**



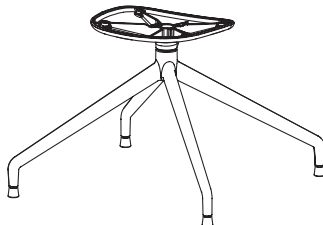
**Base legno**



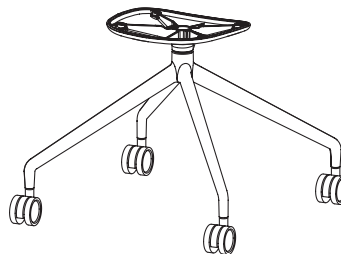
**Quattro gambe**



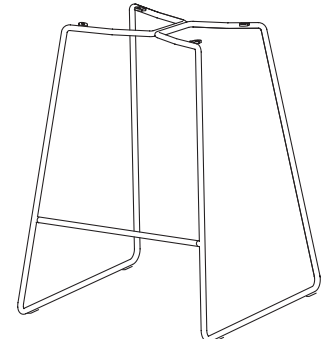
**Slitta**



**Trespolo girevole**



**Trespolo con ruote**



**Sgabello**

# DUA

## Base legno

### Finitura anello sotto seduta:

Alluminio verniciato bianco  
Alluminio verniciato nero

### Finitura base:

Legno massello di faggio  
Legno massello di rovere europeo  
Legno massello di rovere tinto noce  
Legno massello verniciato (bianco, nero)

### Finitura rivestimento:

A = Valencia (pelle sintetica)  
B = Field 2, COM (tessuto Cliente)  
C = Clara 2, Merit, COL (pelle Cliente)  
D = Curmi, Remix 2, Patio, Regal  
E = Canvas 2, Hero, Scuba  
F = Melange Nap, Steelcut Trio 3  
G = Divina Melange 3  
H = Hallingdal 65, Twill Weave  
L1 = Coast (pelle fiore corretto)  
L2 = Elmosoft (pelle semi-anilina)  
L3 = Elmotique (pelle anilina)

### Note:

Per ordini COM/COL vedi interno di copertina.

Per informazioni su composizioni tessuti vedi interno di copertina.

Seduta con rivestimento NON sfoderabile.

**Attenzione:** se non specificato al momento dell'ordine la finitura dell'anello sotto seduta avrà queste caratteristiche:

Gambe legno = anello sotto seduta nero.

Gambe legno verniciato = anello sotto seduta in tinta con le gambe.

### PIEDINI:

Di serie in plastica dura. Su richiesta vengono forniti piedini con inserto in feltro per pavimenti in legno.

### Consumo Schienale 1:

COM: 1 ml (H. 140 cm).

COL: 1,8 mq.

### Consumo Schienale 2-3:

COM: 1,3 ml (H. 140 cm).

COL: 2,3 mq.

Seduta NON impilabile.

Imballi rinforzati vedi interno di copertina.

### Schienale 1 (piccolo)

Codice	Base	Rivestimento											colli	m <sup>3</sup>	Kg				
		A	B	C	D	E	F	G	H	L1	L2	L3							
05DUA11	Faggio																1	0,25	9,1
	Rovere, Legno verniciato																		

ogni collo contiene 1 poltroncina

### Schienale 2 (grande)

Codice	Base	Rivestimento											colli	m <sup>3</sup>	Kg				
		A	B	C	D	E	F	G	H	L1	L2	L3							
05DUA12	Faggio																1	0,3	10,8
	Rovere, Legno verniciato																		

ogni collo contiene 1 poltroncina

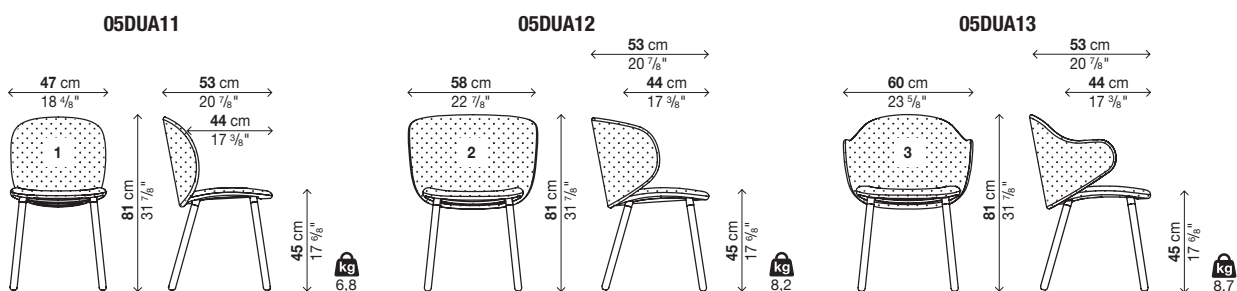
### Schienale 3 (con braccioli)

Codice	Base	Rivestimento											colli	m <sup>3</sup>	Kg				
		A	B	C	D	E	F	G	H	L1	L2	L3							
05DUA13	Faggio																1	0,3	10,9
	Rovere, Legno verniciato																		

ogni collo contiene 1 poltroncina

### Optionals

Codice	Descrizione	colli	m <sup>3</sup>	Kg
02PIE11	Set di piedini in feltro	-	-	-



# DUA

## Quattro gambe

### Finitura base:

Acciaio cromato  
 Acciaio cromato nero  
 Acciaio effetto ottone  
 Acciaio verniciato (bianco, nero)

### Finitura rivestimento:

A = Valencia (pelle sintetica)  
 B = Field 2, COM (tessuto Cliente)  
 C = Clara 2, Merit, COL (pelle Cliente)  
 D = Curmi, Remix 2, Patio, Regal  
 E = Canvas 2, Hero, Scuba  
 F = Melange Nap, Steelcut Trio 3  
 G = Divina Melange 3  
 H = Hallingdal 65, Twill Weave  
 L1 = Coast (pelle fiore corretto)  
 L2 = Elmosoft (pelle semi-anilina)  
 L3 = Elmotique (pelle anilina)

### Note:

Per ordini COM/COL vedi interno di copertina.

Per informazioni su composizioni tessuti vedi interno di copertina.

Seduta con rivestimento NON sfoderabile.

### PIEDINI:

Di serie in plastica dura. Su richiesta vengono forniti piedini con inserto in feltro per pavimenti in legno.

### Consumo Schienale 1:

COM: 1 ml (H. 140 cm).

COL: 1,8 mq.

### Consumo Schienale 2-3:

COM: 1,3 ml (H. 140 cm).

COL: 2,3 mq.

Seduta NON impilabile.

Imballi rinforzati vedi interno di copertina.

### Schienale 1 (piccolo)

Codice	Base	Rivestimento											colli	m <sup>2</sup>	Kg				
		A	B	C	D	E	F	G	H	L1	L2	L3							
05DUA17	Acciaio verniciato, Acciaio cromato, Acciaio cromato nero																1	0,25	8,9
	Acciaio effetto ottone																		

ogni collo contiene 1 poltroncina

### Schienale 2 (grande)

Codice	Base	Rivestimento											colli	m <sup>2</sup>	Kg				
		A	B	C	D	E	F	G	H	L1	L2	L3							
05DUA18	Acciaio verniciato, Acciaio cromato, Acciaio cromato nero																1	0,3	10,5
	Acciaio effetto ottone																		

ogni collo contiene 1 poltroncina

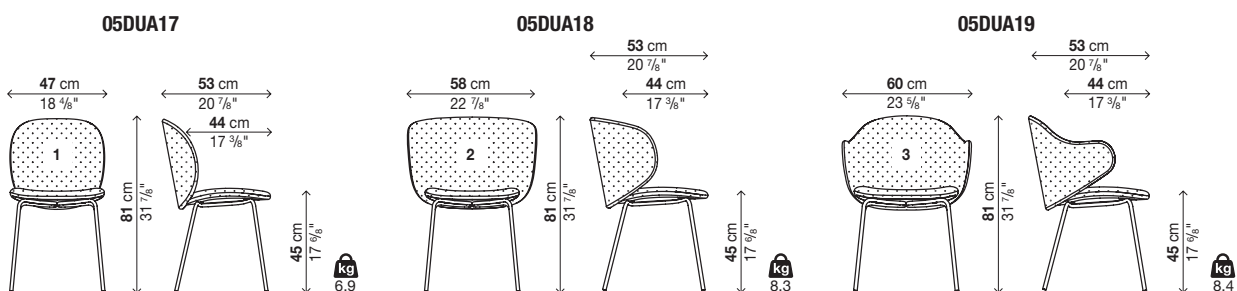
### Schienale 3 (con braccioli)

Codice	Base	Rivestimento											colli	m <sup>2</sup>	Kg				
		A	B	C	D	E	F	G	H	L1	L2	L3							
05DUA19	Acciaio verniciato, Acciaio cromato, Acciaio cromato nero																1	0,3	10,6
	Acciaio effetto ottone																		

ogni collo contiene 1 poltroncina

### Optionals

Codice	Descrizione	colli	m <sup>3</sup>	Kg
02PIE12	Set di piedini in feltro	-	-	-



# DUA

## Slitta

### Finitura base:

Acciaio cromato  
 Acciaio cromato nero  
 Acciaio effetto ottone  
 Acciaio verniciato (bianco, nero)

### Finitura rivestimento:

A = Valencia (pelle sintetica)  
 B = Field 2, COM (tessuto Cliente)  
 C = Clara 2, Merit, COL (pelle Cliente)  
 D = Curmi, Remix 2, Patio, Regal  
 E = Canvas 2, Hero, Scuba  
 F = Melange Nap, Steelcut Trio 3  
 G = Divina Melange 3  
 H = Hallingdal 65, Twill Weave  
 L1 = Coast (pelle fiore corretto)  
 L2 = Elmosoft (pelle semi-anilina)  
 L3 = Elmotique (pelle anilina)

### Note:

Per ordini COM/COL vedi interno di copertina.

Per informazioni su composizioni tessuti vedi interno di copertina.

Seduta con rivestimento NON sfoderabile.

### PIEDINI:

Di serie in plastica dura. Su richiesta vengono forniti piedini con inserto in feltro per pavimenti in legno.

### Consumo Schienale 1:

COM: 1 ml (H. 140 cm).

COL: 1,8 mq.

### Consumo Schienale 2-3:

COM: 1,3 ml (H. 140 cm).

COL: 2,3 mq.

Seduta NON impilabile.

Imballi rinforzati vedi interno di copertina.

### Schienale 1 (piccolo)

Codice	Base	Rivestimento											colli	m <sup>3</sup>	Kg		
		A	B	C	D	E	F	G	H	L1	L2	L3					
	Acciaio verniciato																
<b>05DUA23</b>	Acciaio cromato, Acciaio cromato nero															1	0,25 10,3
	Acciaio effetto ottone																

ogni collo contiene 1 poltroncina

### Schienale 2 (grande)

Codice	Base	Rivestimento											colli	m <sup>3</sup>	Kg		
		A	B	C	D	E	F	G	H	L1	L2	L3					
	Acciaio verniciato																
<b>05DUA24</b>	Acciaio cromato, Acciaio cromato nero															1	0,3 11,9
	Acciaio effetto ottone																

ogni collo contiene 1 poltroncina

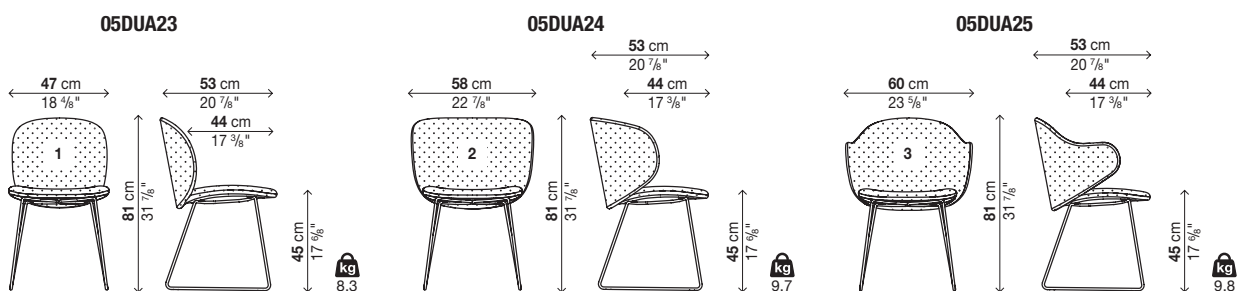
### Schienale 3 (con braccioli)

Codice	Base	Rivestimento											colli	m <sup>3</sup>	Kg		
		A	B	C	D	E	F	G	H	L1	L2	L3					
	Acciaio verniciato																
<b>05DUA25</b>	Acciaio cromato, Acciaio cromato nero															1	0,3 12
	Acciaio effetto ottone																

ogni collo contiene 1 poltroncina

### Optionals

Codice	Descrizione	colli	m <sup>3</sup>	Kg
<b>02PIE13</b>	Set di piedini in feltro	-	-	-



# DUA

## Trespolo girevole

### Finitura base:

Alluminio lucidato

Alluminio verniciato (bianco, nero)

### Finitura rivestimento:

A = Valencia (pelle sintetica)

B = Field 2, COM (tessuto Cliente)

C = Clara 2, Merit, COL (pelle Cliente)

D = Curmi, Remix 2, Patio, Regal

E = Canvas 2, Hero, Scuba

F = Melange Nap, Steelcut Trio 3

G = Divina Melange 3

H = Hallingdal 65, Twill Weave

L1 = Coast (pelle fiore corretto)

L2 = Elmosoft (pelle semi-anilina)

L3 = Elmotique (pelle anilina)

### Note:

Per ordini COM/COL vedi interno di copertina.

Per informazioni su composizioni tessuti vedi interno di copertina.

Seduta con rivestimento NON sfoderabile.

### PIEDINI:

Di serie in feltro per pavimenti in legno.

Consumo Schienale 1:

COM: 1 ml (H. 140 cm).

COL: 1,8 mq.

Consumo Schienale 2-3:

COM: 1,3 ml (H. 140 cm).

COL: 2,3 mq.

Imballi rinforzati vedi interno di copertina.

### Schienale 1 (piccolo)

Codice	Base	Rivestimento											colli	m <sup>2</sup>	Kg				
		A	B	C	D	E	F	G	H	L1	L2	L3							
05DUA30	Alluminio verniciato																1	0,3	11,7
	Alluminio lucidato																		

ogni collo contiene 1 poltroncina

### Schienale 2 (grande)

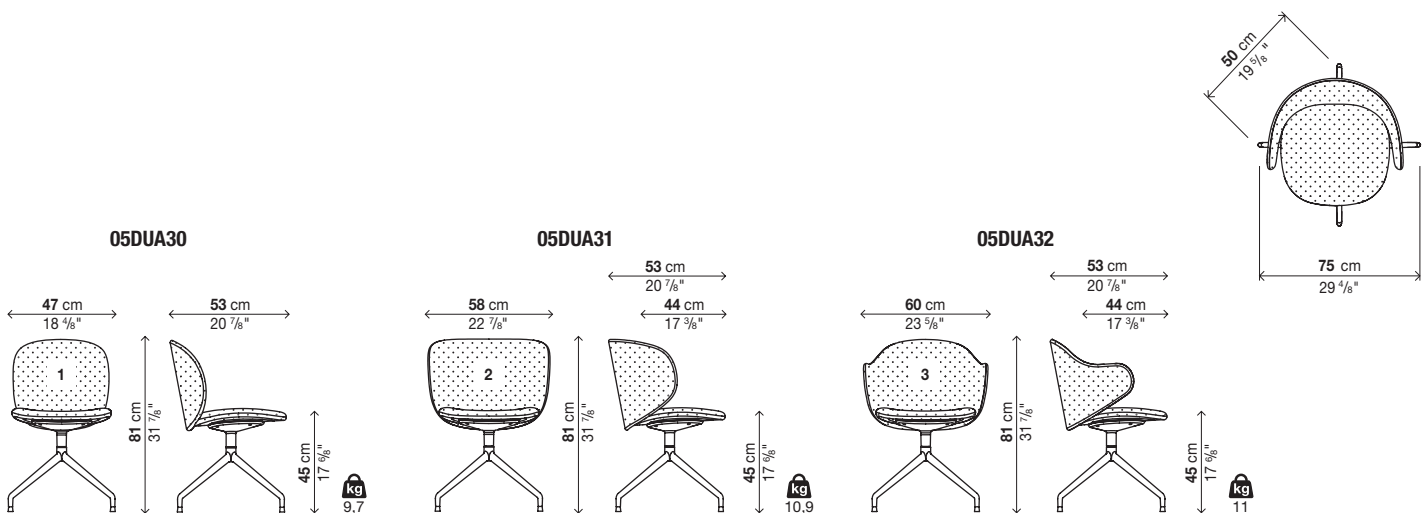
Codice	Base	Rivestimento											colli	m <sup>2</sup>	Kg				
		A	B	C	D	E	F	G	H	L1	L2	L3							
05DUA31	Alluminio verniciato																1	0,3	12,9
	Alluminio lucidato																		

ogni collo contiene 1 poltroncina

### Schienale 3 (con braccioli)

Codice	Base	Rivestimento											colli	m <sup>2</sup>	Kg				
		A	B	C	D	E	F	G	H	L1	L2	L3							
05DUA32	Alluminio verniciato																1	0,3	13
	Alluminio lucidato																		

ogni collo contiene 1 poltroncina



# DUA

## Trespolo con ruote

### Finitura base:

Alluminio lucidato  
Alluminio verniciato (bianco, nero)

### Finitura rivestimento:

A = Valencia (pelle sintetica)  
B = Field 2, COM (tessuto Cliente)  
C = Clara 2, Merit, COL (pelle Cliente)  
D = Curmi, Remix 2, Patio, Regal  
E = Canvas 2, Hero, Scuba  
F = Melange Nap, Steelcut Trio 3  
G = Divina Melange 3  
H = Hallingdal 65, Twill Weave  
L1 = Coast (pelle fiore corretto)  
L2 = Elmosoft (pelle semi-anilina)  
L3 = Elmotique (pelle anilina)

### Note:

Per ordini COM/COL vedi interno di copertina.

Per informazioni su composizioni tessuti vedi interno di copertina.

Seduta con rivestimento NON sfoderabile.

Ruote piroettanti del tipo auto frenanti con battistrada morbido.

Consumo Schienale 1:  
COM: 1 ml (H. 140 cm).  
COL: 1,8 mq.  
Consumo Schienale 2-3:  
COM: 1,3 ml (H. 140 cm).  
COL: 2,3 mq.

Imballi rinforzati vedi interno di copertina.

### Schienale 1 (piccolo)

Codice	Base	Rivestimento											colli	m <sup>3</sup>	Kg				
		A	B	C	D	E	F	G	H	L1	L2	L3							
05DUA33	Alluminio verniciato																1	0,3	11,7
	Alluminio lucidato																		

ogni collo contiene 1 poltroncina

### Schienale 2 (grande)

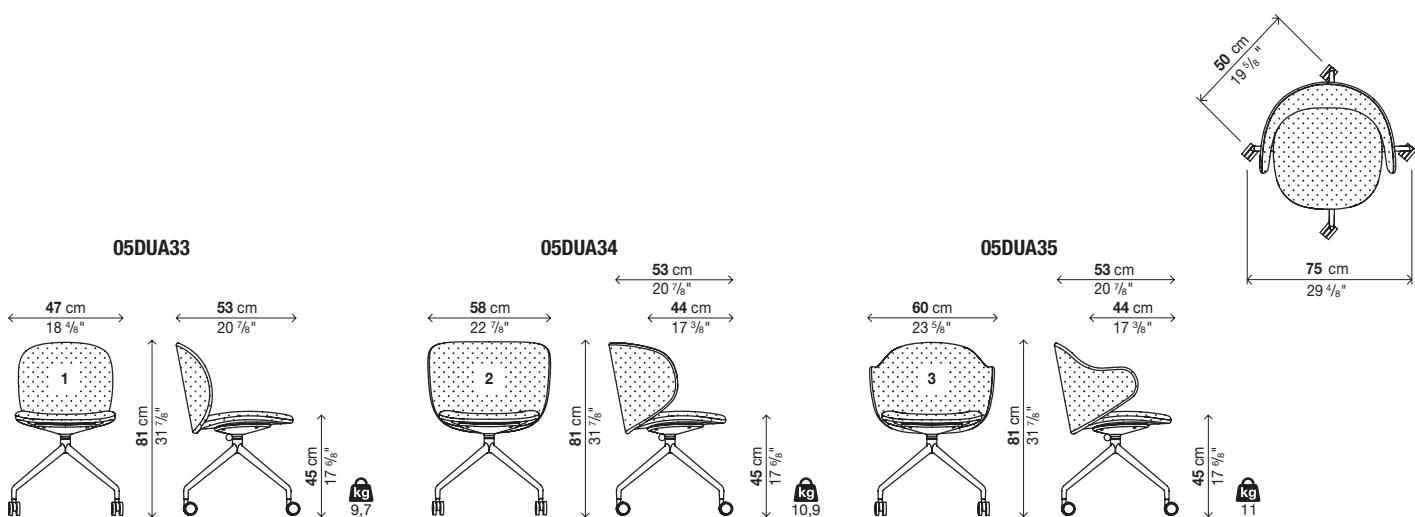
Codice	Base	Rivestimento											colli	m <sup>3</sup>	Kg				
		A	B	C	D	E	F	G	H	L1	L2	L3							
05DUA34	Alluminio verniciato																1	0,3	12,9
	Alluminio lucidato																		

ogni collo contiene 1 poltroncina

### Schienale 3 (con braccioli)

Codice	Base	Rivestimento											colli	m <sup>3</sup>	Kg				
		A	B	C	D	E	F	G	H	L1	L2	L3							
05DUA35	Alluminio verniciato																1	0,3	13
	Alluminio lucidato																		

ogni collo contiene 1 poltroncina



# DUA

## Sgabello basso su slitta (altezza seduta 66 cm)

### Finitura base:

Acciaio cromato  
 Acciaio cromato nero  
 Acciaio effetto ottone  
 Acciaio verniciato (bianco, nero)

### Finitura rivestimento:

A = Valencia (pelle sintetica)  
 B = Field 2, COM (tessuto Cliente)  
 C = Clara 2, Merit, COL (pelle Cliente)  
 D = Curmi, Remix 2, Patio, Regal  
 E = Canvas 2, Hero, Scuba  
 F = Melange Nap, Steelcut Trio 3  
 G = Divina Melange 3  
 H = Hallingdal 65, Twill Weave  
 L1 = Coast (pelle fiore corretto)  
 L2 = Elmosoft (pelle semi-anilina)  
 L3 = Elmotique (pelle anilina)

### Note:

Per ordini COM/COL vedi interno di copertina.

Per informazioni su composizioni tessuti vedi interno di copertina.

Seduta con rivestimento NON sfoderabile.

### PIEDINI:

Di serie in plastica dura. Su richiesta vengono forniti piedini con inserto in feltro per pavimenti in legno.

### Consumo Schienale 1:

COM: 1 ml (H. 140 cm).

COL: 1,8 mq.

### Consumo Schienale 2-3:

COM: 1,3 ml (H. 140 cm).

COL: 2,3 mq.

Imballi rinforzati vedi interno di copertina.

### Schienale 1 (piccolo)

Codice	Base	Rivestimento											colli	m <sup>3</sup>	Kg		
		A	B	C	D	E	F	G	H	L1	L2	L3					
05DUA50	Acciaio verniciato																
	Acciaio cromato, Acciaio cromato nero																1
	Acciaio effetto ottone																0,35 12,2

ogni collo contiene 1 poltroncina

### Schienale 2 (grande)

Codice	Base	Rivestimento											colli	m <sup>3</sup>	Kg		
		A	B	C	D	E	F	G	H	L1	L2	L3					
05DUA51	Acciaio verniciato																
	Acciaio cromato, Acciaio cromato nero																1
	Acciaio effetto ottone																0,42 13,8

ogni collo contiene 1 poltroncina

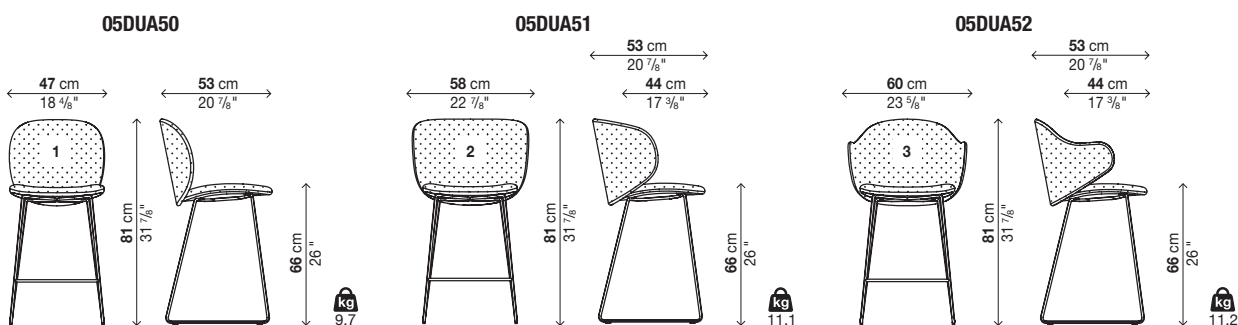
### Schienale 3 (con braccioli)

Codice	Base	Rivestimento											colli	m <sup>3</sup>	Kg		
		A	B	C	D	E	F	G	H	L1	L2	L3					
05DUA52	Acciaio verniciato																
	Acciaio cromato, Acciaio cromato nero																1
	Acciaio effetto ottone																0,42 13,9

ogni collo contiene 1 poltroncina

### Optionals

Codice	Descrizione	colli	m <sup>3</sup>	Kg
02PIE13	Set di piedini in feltro	-	-	-





# DUA

## Sgabello alto su slitta (altezza seduta 76 cm)

### Finitura base:

Acciaio cromato  
 Acciaio cromato nero  
 Acciaio effetto ottone  
 Acciaio verniciato (bianco, nero)

### Finitura rivestimento:

A = Valencia (pelle sintetica)  
 B = Field 2, COM (tessuto Cliente)  
 C = Clara 2, Merit, COL (pelle Cliente)  
 D = Curmi, Remix 2, Patio, Regal  
 E = Canvas 2, Hero, Scuba  
 F = Melange Nap, Steelcut Trio 3  
 G = Divina Melange 3  
 H = Hallingdal 65, Twill Weave  
 L1 = Coast (pelle fiore corretto)  
 L2 = Elmosoft (pelle semi-anilina)  
 L3 = Elmotique (pelle anilina)

### Note:

Per ordini COM/COL vedi interno di copertina.

Per informazioni su composizioni tessuti vedi interno di copertina.

Seduta con rivestimento NON sfoderabile.

### PIEDINI:

Di serie in plastica dura. Su richiesta vengono forniti piedini con inserto in feltro per pavimenti in legno.

### Consumo Schienale 1:

COM: 1 ml (H. 140 cm).

COL: 1,8 mq.

Consumo Schienale 2-3:

COM: 1,3 ml (H. 140 cm).

COL: 2,3 mq.

Imballi rinforzati vedi interno di copertina.

### Schienale 1 (piccolo)

Codice	Base	Rivestimento											colli	m <sup>3</sup>	Kg		
		A	B	C	D	E	F	G	H	L1	L2	L3					
05DUA53	Acciaio verniciato																
	Acciaio cromato, Acciaio cromato nero																1 0,37 13,2
	Acciaio effetto ottone																

ogni collo contiene 1 poltroncina

### Schienale 2 (grande)

Codice	Base	Rivestimento											colli	m <sup>3</sup>	Kg		
		A	B	C	D	E	F	G	H	L1	L2	L3					
05DUA54	Acciaio verniciato																
	Acciaio cromato, Acciaio cromato nero																1 0,45 14,6
	Acciaio effetto ottone																

ogni collo contiene 1 poltroncina

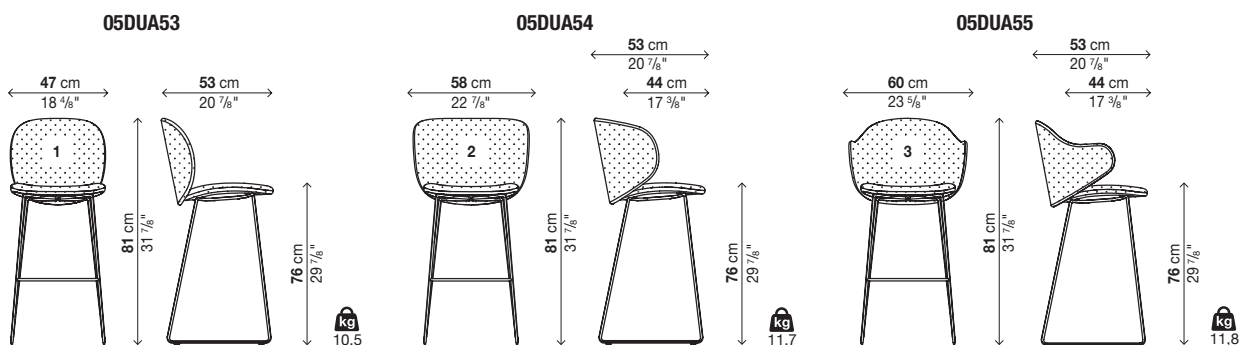
### Schienale 3 (con braccioli)

Codice	Base	Rivestimento											colli	m <sup>3</sup>	Kg		
		A	B	C	D	E	F	G	H	L1	L2	L3					
05DUA55	Acciaio verniciato																
	Acciaio cromato, Acciaio cromato nero																1 0,45 14,7
	Acciaio effetto ottone																

ogni collo contiene 1 poltroncina

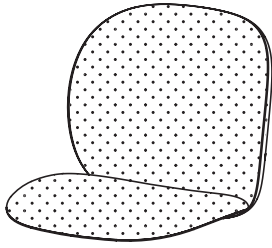
### Optionals

Codice	Descrizione	colli	m <sup>3</sup>	Kg
02PIE13	Set di piedini in feltro	-	-	-

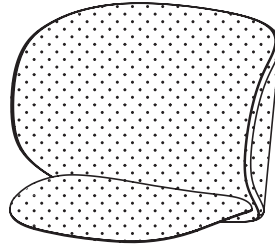


# DUA

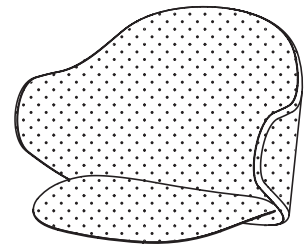
## Übersicht



Rückenlehne 1 (small)



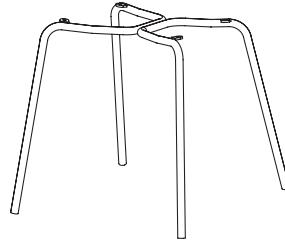
Rückenlehne 2 (large)



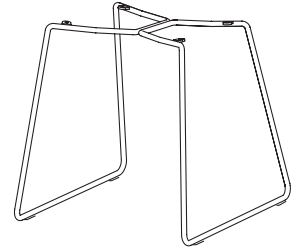
Rückenlehne 3 (mit Armlehnen)



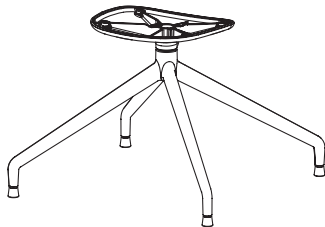
Untergestell aus Holz



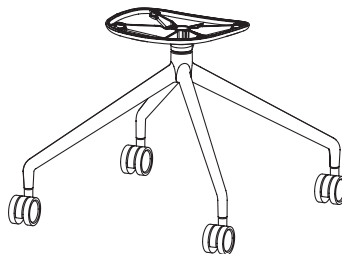
Vier Beine



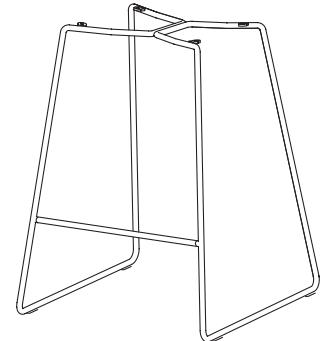
Kufengestell



Ständer



Fünf Ausleger mit Rollen



Hocker

# DUA

## Untergestell aus Holz

### Ausführung des Rings unter der Sitzfläche:

Weiß lackiertes Aluminium  
Schwarz lackiertes Aluminium

### Ausführung Gestell:

Massives Buchenholz  
Massives europäisches Eichenholz  
Massives Eichenholz Farbe Nussbaum  
Massivholz lackiert (Weiß, Schwarz)

### Ausführung des Bezugs:

A = Valencia (Synthetische Leder)  
B = Field 2, COM (Kundenstoff)  
C = Clara 2, Merit, COL (Kundenleder)  
D = Curmi, Remix 2, Patio, Regal  
E = Canvas 2, Hero, Scuba  
F = Melange Nap, Steelcut Trio 3  
G = Divina Melange 3  
H = Hallingdal 65, Twill Weave  
L1 = Coast (Nubukleder)  
L2 = Elmosoft (Semianilinleder)  
L3 = Elmotique (Anilinleder)

### Anmerkung:

Für Aufträge mit COM/COL siehe Innenseite des Umschlags.

Für Informationen zur Zusammensetzung der Stoffe siehe Innenseite des Umschlags.

Sitzfläche mit NICHT abziehbaren Bezug.

**Achtung:** Wenn bei der Bestellung nicht angegeben, weist die Endbearbeitung des Rings unter dem Sitz die folgenden Merkmale auf:  
Beine aus Holz = Ring unter der Sitzfläche in Schwarz  
Beine aus lackiertem Holz = Ring unter der Sitzfläche in Farbe der Beine

### FÜßE:

Standard in Hartplastik. Auf Wunsch liefern wir Füße mit Filzeinlage für Holzböden.

### Verbrauch Rückenlehne 1:

COM: 1 ml (H. 140 cm).

COL: 1,8 mq.

### Verbrauch Rückenlehne 2-3:

COM: 1,3 ml (H. 140 cm).

COL: 2,3 mq.

NICHT stapelbar.

Für verstärkte Verpackungen siehe Innenseite des Umschlags.

### Rückenlehne 1 (small)

Art.-Nr.	Gestell	Bezug											koli	m <sup>3</sup>	Kg				
		A	B	C	D	E	F	G	H	L1	L2	L3							
05DUA11	Buchenholz																1	0,25	9,1
	Eicheholz, Lackiertes Holz																		

Ein Sessel pro Frachtstück

### Rückenlehne 2 (large)

Art.-Nr.	Gestell	Bezug											koli	m <sup>3</sup>	Kg				
		A	B	C	D	E	F	G	H	L1	L2	L3							
05DUA12	Buchenholz																1	0,3	10,8
	Eicheholz, Lackiertes Holz																		

Ein Sessel pro Frachtstück

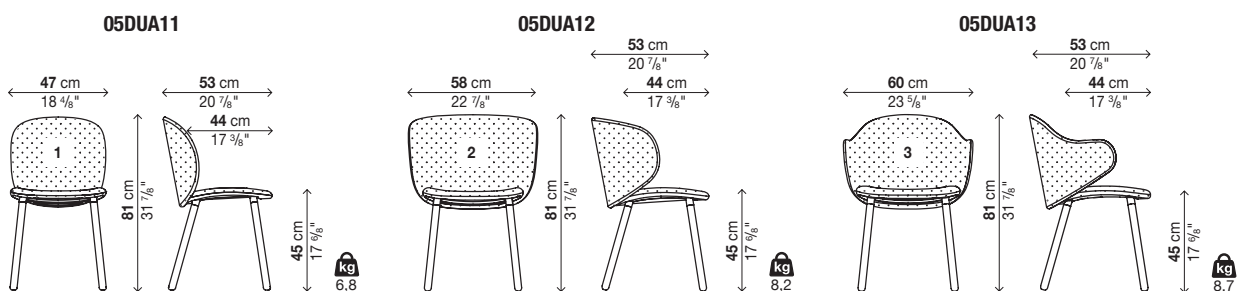
### Rückenlehne 3 (mit Armlehnen)

Art.-Nr.	Gestell	Bezug											koli	m <sup>3</sup>	Kg				
		A	B	C	D	E	F	G	H	L1	L2	L3							
05DUA13	Buchenholz																1	0,3	10,9
	Eicheholz, Lackiertes Holz																		

Ein Sessel pro Frachtstück

### Optionen

Art.-Nr.	Beschreibung	koli	m <sup>3</sup>	Kg
02PIE11	Set Filzfüße	-	-	-



# DUA

## Vier Beine

### Ausführung Gestell:

Verchromter Stahl  
Schwarz verchromter Stahl  
Stahl mit Messingeffekt  
Lackierter Stahl (Weiß, Schwarz)

### Ausführung des Bezugs:

A = Valencia (Synthetische Leder)  
B = Field 2, COM (Kundenstoff)  
C = Clara 2, Merit, COL (Kundenleder)  
D = Curmi, Remix 2, Patio, Regal  
E = Canvas 2, Hero, Scuba  
F = Melange Nap, Steelcut Trio 3  
G = Divina Melange 3  
H = Hallingdal 65, Twill Weave  
L1 = Coast (Nubukleder)  
L2 = Elmosoft (Semianilinleder)  
L3 = Elmotique (Anilinleder)

### Anmerkung:

Für Aufträge mit COM/COL siehe Innenseite des Umschlags.

Für Informationen zur Zusammensetzung der Stoffe siehe Innenseite des Umschlags.

Sitzfläche mit NICHT abziehbaren Bezug.

### FÜßE:

Standard in Hartplastik. Auf Wunsch liefern wir Füße mit Filzeinlage für Holzböden.

### Verbrauch Rückenlehne 1:

COM: 1 ml (H. 140 cm).

COL: 1,8 mq.

### Verbrauch Rückenlehne 2-3:

COM: 1,3 ml (H. 140 cm).

COL: 2,3 mq.

NICHT stapelbar.

Für verstärkte Verpackungen siehe Innenseite des Umschlags.

### Rückenlehne 1 (small)

Art.-Nr.	Gestell	Bezug											kolli	m <sup>2</sup>	Kg				
		A	B	C	D	E	F	G	H	L1	L2	L3							
05DUA17	Lackierter Stahl, Verchromter Stahl, Schwarz verchromter Stahl																1	0,25	8,9
	Stahl mit Messingeffekt																		

Ein Sessel pro Frachtstück

### Rückenlehne 2 (large)

Art.-Nr.	Gestell	Bezug											kolli	m <sup>2</sup>	Kg				
		A	B	C	D	E	F	G	H	L1	L2	L3							
05DUA18	Lackierter Stahl, Verchromter Stahl, Schwarz verchromter Stahl																1	0,3	10,5
	Stahl mit Messingeffekt																		

Ein Sessel pro Frachtstück

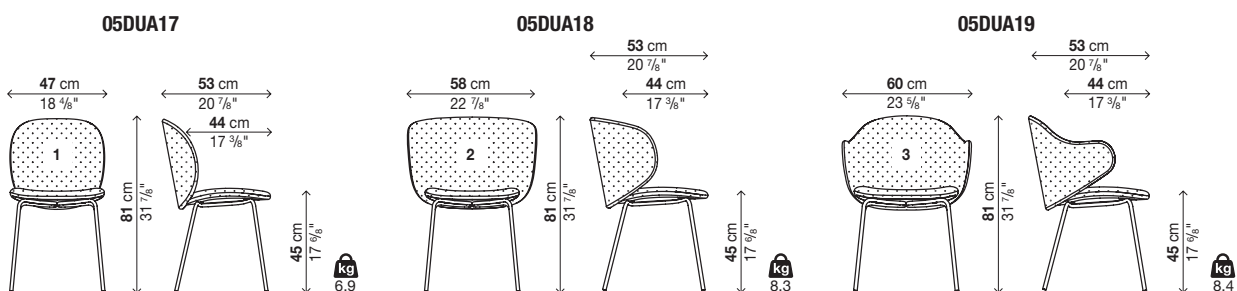
### Rückenlehne 3 (mit Armlehnen)

Art.-Nr.	Gestell	Bezug											kolli	m <sup>2</sup>	Kg				
		A	B	C	D	E	F	G	H	L1	L2	L3							
05DUA19	Lackierter Stahl, Verchromter Stahl, Schwarz verchromter Stahl																1	0,3	10,6
	Stahl mit Messingeffekt																		

Ein Sessel pro Frachtstück

### Optionen

Art.-Nr.	Beschreibung	kolli	m <sup>3</sup>	Kg
02PIE12	Set Filzfüße	-	-	-



# DUA

## Kufengestell

### Ausführung Gestell:

Verchromter Stahl  
Schwarz verchromter Stahl  
Stahl mit Messingeffekt  
Lackierter Stahl (Weiß, Schwarz)

### Ausführung des Bezugs:

A = Valencia (Synthetische Leder)  
B = Field 2, COM (Kundenstoff)  
C = Clara 2, Merit, COL (Kundenleder)  
D = Curmi, Remix 2, Patio, Regal  
E = Canvas 2, Hero, Scuba  
F = Melange Nap, Steelcut Trio 3  
G = Divina Melange 3  
H = Hallingdal 65, Twill Weave  
L1 = Coast (Nubukleder)  
L2 = Elmosoft (Semianilinleder)  
L3 = Elmotique (Anilinleder)

### Anmerkung:

Für Aufträge mit COM/COL siehe Innenseite des Umschlags.

Für Informationen zur Zusammensetzung der Stoffe siehe Innenseite des Umschlags.

Sitzfläche mit NICHT abziehbaren Bezug.

### FÜßE:

Standard in Hartplastik. Auf Wunsch liefern wir Füße mit Filzeinlage für Holzböden.

### Verbrauch Rückenlehne 1:

COM: 1 ml (H. 140 cm).

COL: 1,8 mq.

### Verbrauch Rückenlehne 2-3:

COM: 1,3 ml (H. 140 cm).

COL: 2,3 mq.

NICHT stapelbar.

Für verstärkte Verpackungen siehe Innenseite des Umschlags.

### Rückenlehne 1 (small)

Art.-Nr.	Gestell	Bezug											kolli	m³	Kg		
		A	B	C	D	E	F	G	H	L1	L2	L3					
05DUA23	Lackierter Stahl																
	Verchromter Stahl, Schwarz verchromter Stahl															1	0,25 10,3
	Stahl mit Messingeffekt																

Ein Sessel pro Frachtstück

### Rückenlehne 2 (large)

Art.-Nr.	Gestell	Bezug											kolli	m³	Kg		
		A	B	C	D	E	F	G	H	L1	L2	L3					
05DUA24	Lackierter Stahl																
	Verchromter Stahl, Schwarz verchromter Stahl															1	0,3 11,9
	Stahl mit Messingeffekt																

Ein Sessel pro Frachtstück

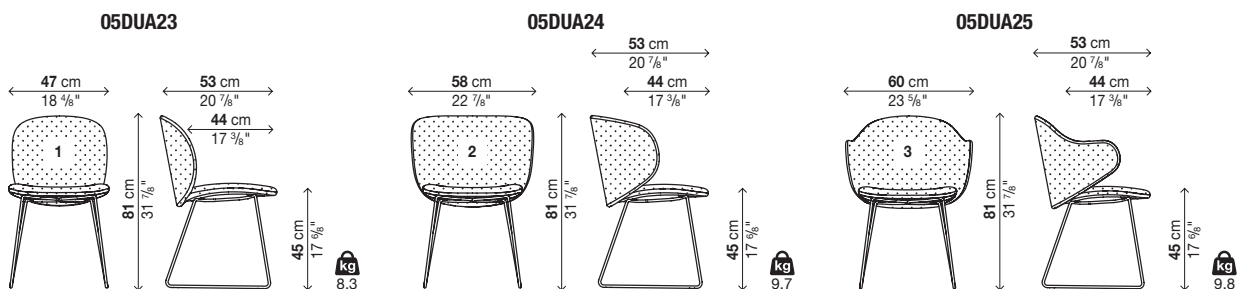
### Rückenlehne 3 (mit Armlehnen)

Art.-Nr.	Gestell	Bezug											kolli	m³	Kg		
		A	B	C	D	E	F	G	H	L1	L2	L3					
05DUA25	Lackierter Stahl																
	Verchromter Stahl, Schwarz verchromter Stahl															1	0,3 12
	Stahl mit Messingeffekt																

Ein Sessel pro Frachtstück

### Optionen

Art.-Nr.	Beschreibung	kolli	m³	Kg
02PIE13	Set Filzfüße	-	-	-



# DUA

## Drehbarer Ständer

### Ausführung Gestell:

Aluminium glänzend  
Lackiertes Aluminium (Weiß, Schwarz)

### Ausführung des Bezugs:

A = Valencia (Synthetische Leder)  
B = Field 2, COM (Kundenstoff)  
C = Clara 2, Merit, COL (Kundenleder)  
D = Curmi, Remix 2, Patio, Regal  
E = Canvas 2, Hero, Scuba  
F = Melange Nap, Steelcut Trio 3  
G = Divina Melange 3  
H = Hallingdal 65, Twill Weave  
L1 = Coast (Nubukleder)  
L2 = Elmosoft (Semianilinleder)  
L3 = Elmotique (Anilinleder)

### Anmerkung:

Für Aufträge mit COM/COL siehe Innenseite des Umschlags.

Für Informationen zur Zusammensetzung der Stoffe siehe Innenseite des Umschlags.

Sitzfläche mit NICHT abziehbaren Bezug.

### FÜßE:

Standard in Filz für Holzböden.

### Verbrauch Rückenlehne 1:

COM: 1 ml (H. 140 cm).

COL: 1,8 mq.

### Verbrauch Rückenlehne 2-3:

COM: 1,3 ml (H. 140 cm).

COL: 2,3 mq.

Für verstärkte Verpackungen siehe Innenseite des Umschlags.

### Rückenlehne 1 (small)

Art.-Nr.	Gestell	Bezug											kolli	m <sup>2</sup>	Kg		
		A	B	C	D	E	F	G	H	L1	L2	L3					
05DUA30	Aluminium lackiert																
	Aluminium glänzend																1 0,3 11,7

Ein Sessel pro Frachtstück

### Rückenlehne 2 (large)

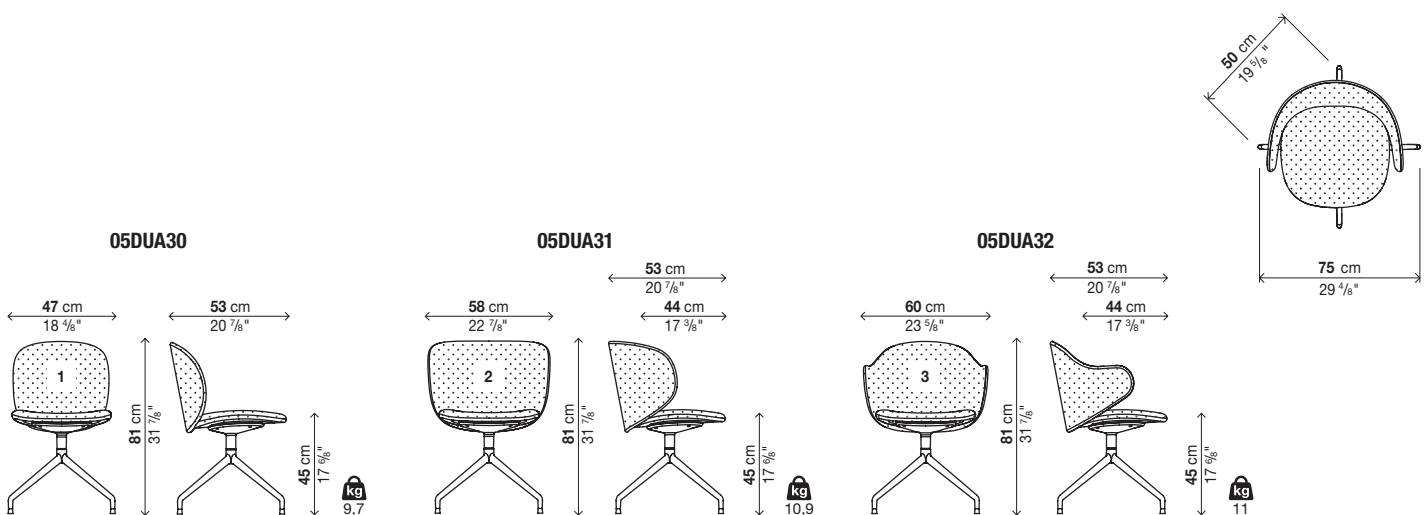
Art.-Nr.	Gestell	Bezug											kolli	m <sup>2</sup>	Kg		
		A	B	C	D	E	F	G	H	L1	L2	L3					
05DUA31	Aluminium lackiert																
	Aluminium glänzend																1 0,3 12,9

Ein Sessel pro Frachtstück

### Rückenlehne 3 (mit Armlehnen)

Art.-Nr.	Gestell	Bezug											kolli	m <sup>2</sup>	Kg		
		A	B	C	D	E	F	G	H	L1	L2	L3					
05DUA32	Aluminium lackiert																
	Aluminium glänzend																1 0,3 13

Ein Sessel pro Frachtstück



# DUA

## Fünf Ausleger mit Rollen

### Ausführung Gestell:

Aluminium glänzend  
Lackiertes Aluminium (Weiß, Schwarz)

### Ausführung des Bezugs:

A = Valencia (Synthetische Leder)  
B = Field 2, COM (Kundenstoff)  
C = Clara 2, Merit, COL (Kundenleder)  
D = Curmi, Remix 2, Patio, Regal  
E = Canvas 2, Hero, Scuba  
F = Melange Nap, Steelcut Trio 3  
G = Divina Melange 3  
H = Hallingdal 65, Twill Weave  
L1 = Coast (Nubukleder)  
L2 = Elmosoft (Semianilinleder)  
L3 = Elmotique (Anilinleder)

### Anmerkung:

Für Aufträge mit COM/COL siehe Innenseite des Umschlags.

Für Informationen zur Zusammensetzung der Stoffe siehe Innenseite des Umschlags.

Sitzfläche mit NICHT abziehbaren Bezug.

Drehrollen mit automatischem Bremssystem und weicher Lauffläche.

Verbrauch Rückenlehne 1:

COM: 1 ml (H. 140 cm).

COL: 1,8 mq.

Verbrauch Rückenlehne 2-3:

COM: 1,3 ml (H. 140 cm).

COL: 2,3 mq.

Für verstärkte Verpackungen siehe Innenseite des Umschlags.

### Rückenlehne 1 (small)

Art.-Nr.	Gestell	Bezug											kolli	m <sup>3</sup>	Kg				
		A	B	C	D	E	F	G	H	L1	L2	L3							
05DUA33	Aluminium lackiert																1	0,3	11,7
	Aluminium glänzend																		

Ein Sessel pro Frachtstück

### Rückenlehne 2 (large)

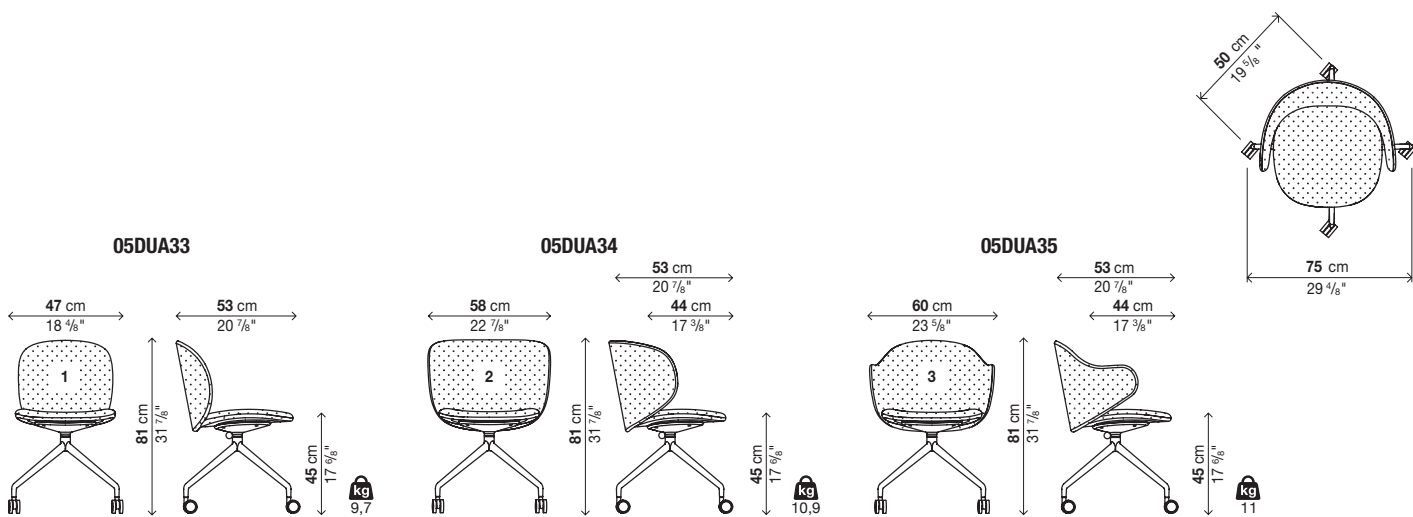
Art.-Nr.	Gestell	Bezug											kolli	m <sup>3</sup>	Kg				
		A	B	C	D	E	F	G	H	L1	L2	L3							
05DUA34	Aluminium lackiert																1	0,3	12,9
	Aluminium glänzend																		

Ein Sessel pro Frachtstück

### Rückenlehne 3 (mit Armlehnen)

Art.-Nr.	Gestell	Bezug											kolli	m <sup>3</sup>	Kg				
		A	B	C	D	E	F	G	H	L1	L2	L3							
05DUA35	Aluminium lackiert																1	0,3	13
	Aluminium glänzend																		

Ein Sessel pro Frachtstück



# DUA

## Niedriger Hocker auf Kufengestell (Höhe der Sitzfläche 66 cm)

### Ausführung Gestell:

Verchromter Stahl  
Schwarz verchromter Stahl  
Stahl mit Messingeffekt  
Lackierter Stahl (Weiß, Schwarz)

### Ausführung des Bezugs:

A = Valencia (Synthetische Leder)  
B = Field 2, COM (Kundenstoff)  
C = Clara 2, Merit, COL (Kundenleder)  
D = Curmi, Remix 2, Patio, Regal  
E = Canvas 2, Hero, Scuba  
F = Melange Nap, Steelcut Trio 3  
G = Divina Melange 3  
H = Hallingdal 65, Twill Weave  
L1 = Coast (Nubukleder)  
L2 = Elmosoft (Semianilinleder)  
L3 = Elmotique (Anilinleder)

### Anmerkung:

Für Aufträge mit COM/COL siehe Innenseite des Umschlags.

Für Informationen zur Zusammensetzung der Stoffe siehe Innenseite des Umschlags.

Sitzfläche mit NICHT abziehbaren Bezug.

### FÜßE:

Standard in Hartplastik. Auf Wunsch liefern wir Füße mit Filzeinlage für Holzböden.

### Verbrauch Rückenlehne 1:

COM: 1 ml (H. 140 cm).

COL: 1,8 mq.

### Verbrauch Rückenlehne 2-3:

COM: 1,3 ml (H. 140 cm).

COL: 2,3 mq.

Für verstärkte Verpackungen siehe Innenseite des Umschlags.

### Rückenlehne 1 (small)

Art.-Nr.	Gestell	Bezug											kolli	m <sup>3</sup>	Kg		
		A	B	C	D	E	F	G	H	L1	L2	L3					
05DUA50	Lackierter Stahl																
	Verchromter Stahl, Schwarz verchromter Stahl															1	0,35 12,2
	Stahl mit Messingeffekt																

Ein Sessel pro Frachtstück

### Rückenlehne 2 (large)

Art.-Nr.	Gestell	Bezug											kolli	m <sup>3</sup>	Kg		
		A	B	C	D	E	F	G	H	L1	L2	L3					
05DUA51	Lackierter Stahl																
	Verchromter Stahl, Schwarz verchromter Stahl															1	0,42 13,8
	Stahl mit Messingeffekt																

Ein Sessel pro Frachtstück

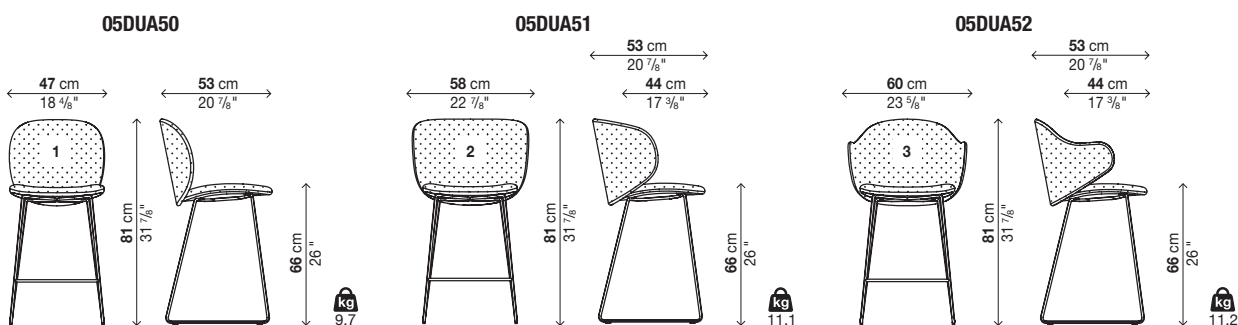
### Rückenlehne 3 (mit Armlehnen)

Art.-Nr.	Gestell	Bezug											kolli	m <sup>3</sup>	Kg		
		A	B	C	D	E	F	G	H	L1	L2	L3					
05DUA52	Lackierter Stahl																
	Verchromter Stahl, Schwarz verchromter Stahl															1	0,42 13,9
	Stahl mit Messingeffekt																

Ein Sessel pro Frachtstück

### Optionen

Art.-Nr.	Beschreibung	kolli	m <sup>3</sup>	Kg
02PIE13	Set Filzfüße	-	-	-





# DUA

## Hoher Hocker auf Kufengestell (Höhe der Sitzfläche 76 cm)

### Ausführung Gestell:

Verchromter Stahl  
Schwarz verchromter Stahl  
Stahl mit Messingeffekt  
Lackierter Stahl (Weiß, Schwarz)

### Ausführung des Bezugs:

A = Valencia (Synthetische Leder)  
B = Field 2, COM (Kundenstoff)  
C = Clara 2, Merit, COL (Kundenleder)  
D = Curmi, Remix 2, Patio, Regal  
E = Canvas 2, Hero, Scuba  
F = Melange Nap, Steelcut Trio 3  
G = Divina Melange 3  
H = Hallingdal 65, Twill Weave  
L1 = Coast (Nubukleder)  
L2 = Elmosoft (Semianilinleder)  
L3 = Elmotique (Anilinleder)

### Anmerkung:

Für Aufträge mit COM/COL siehe Innenseite des Umschlags.

Für Informationen zur Zusammensetzung der Stoffe siehe Innenseite des Umschlags.

Sitzfläche mit NICHT abziehbaren Bezug.

### FÜßE:

Standard in Hartplastik. Auf Wunsch liefern wir Füße mit Filzeinlage für Holzböden.

### Verbrauch Rückenlehne 1:

COM: 1 ml (H. 140 cm).

COL: 1,8 mq.

### Verbrauch Rückenlehne 2-3:

COM: 1,3 ml (H. 140 cm).

COL: 2,3 mq.

Für verstärkte Verpackungen siehe Innenseite des Umschlags.

### Rückenlehne 1 (small)

Art.-Nr.	Gestell	Bezug											kolli	m <sup>3</sup>	Kg		
		A	B	C	D	E	F	G	H	L1	L2	L3					
05DUA53	Lackierter Stahl																
	Verchromter Stahl, Schwarz verchromter Stahl															1	0,37 13,2
	Stahl mit Messingeffekt																

Ein Sessel pro Frachtstück

### Rückenlehne 2 (large)

Art.-Nr.	Gestell	Bezug											kolli	m <sup>3</sup>	Kg		
		A	B	C	D	E	F	G	H	L1	L2	L3					
05DUA54	Lackierter Stahl																
	Verchromter Stahl, Schwarz verchromter Stahl															1	0,45 14,6
	Stahl mit Messingeffekt																

Ein Sessel pro Frachtstück

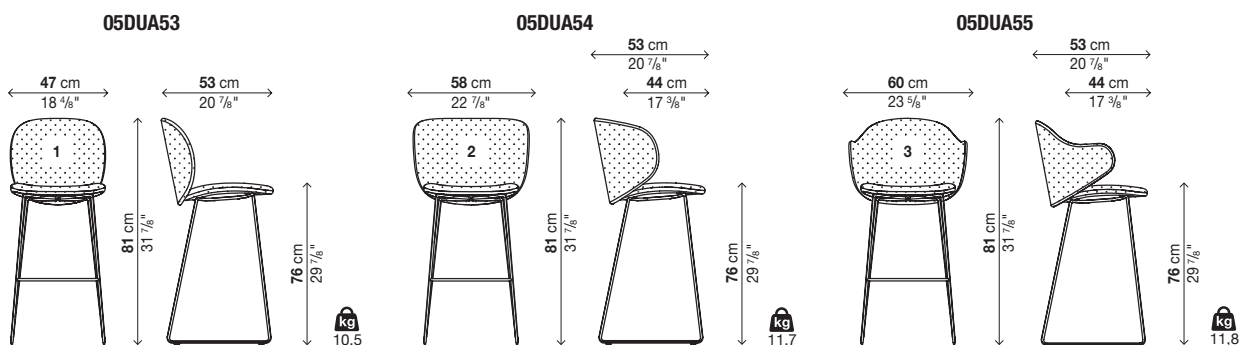
### Rückenlehne 3 (mit Armlehnen)

Art.-Nr.	Gestell	Bezug											kolli	m <sup>3</sup>	Kg		
		A	B	C	D	E	F	G	H	L1	L2	L3					
05DUA55	Lackierter Stahl																
	Verchromter Stahl, Schwarz verchromter Stahl															1	0,45 14,7
	Stahl mit Messingeffekt																

Ein Sessel pro Frachtstück

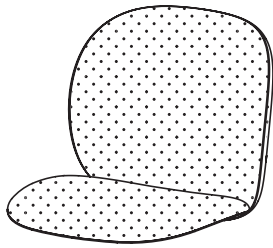
### Optionen

Art.-Nr.	Beschreibung	kolli	m <sup>3</sup>	Kg
02PIE13	Set Filzfüße	-	-	-

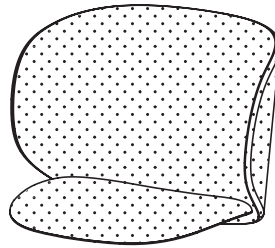


# DUA

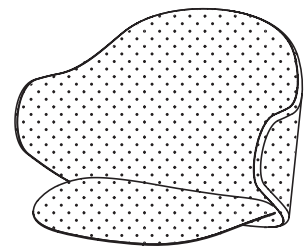
## Légende



Dossier 1 (petit)



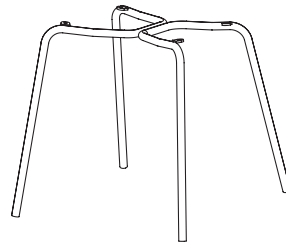
Dossier 2 (grand)



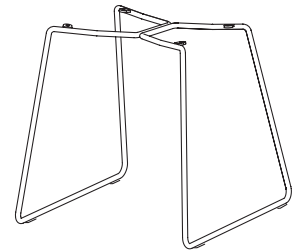
Dossier 3 (avec accoudoirs)



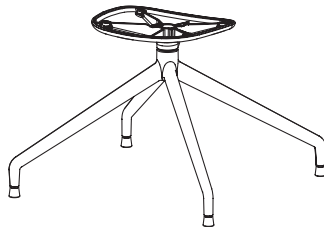
Piètement bois



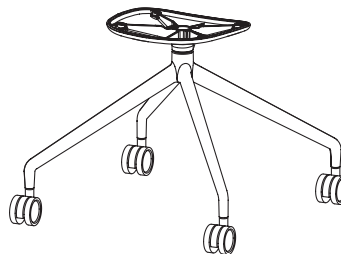
Quatre pieds



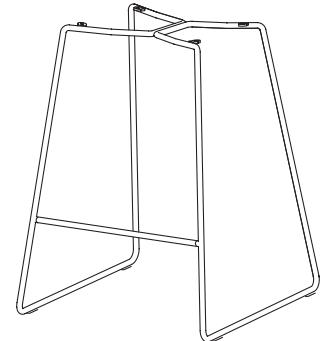
Luge



Tréteau pivotant



Tréteau avec roulettes



Tabouret

# DUA

## Piètement bois

### Finition de l'anneau sous l'assise:

Aluminium laqué blanc  
Aluminium laqué noir

### Finition piètement:

Hêtre massif  
Bois massif chêne européen  
Chêne massif teinté noyer  
Bois massif teinté (blanc, noir)

### Finition du revêtement:

A = Valencia (cuir synthétique)  
B = Field 2, COM (tissu Client)  
C = Clara 2, Merit, COL (cuir du Client)  
D = Curmi, Remix 2, Patio, Regal  
E = Canvas 2, Hero, Scuba  
F = Melange Nap, Steelcut Trio 3  
G = Divina Melange 3  
H = Hallingdal 65, Twill Weave  
L1 = Coast (cuir fleur corrigé)  
L2 = Elmosoft (cuir semi-aniline)  
L3 = Elmotique (cuir aniline)

### Notes:

Pour les commandes COM/COL, voir intérieur de la couverture.

Pour toute information sur les compositions des tissus, voir intérieur de la couverture.

Siège avec revêtement NON déhoussable.

**Attention:** si non spécifié à la commande, la finition de l'anneau sous l'assise aura les caractéristiques suivantes:

Pieds en bois = anneau sous assise noir.

Pieds en bois laqué = anneau sous assise assorti au coloris des pieds.

### PIEDS:

Standard en plastique dur. Sur demande, nous fournissons des pieds avec insert en feutre pour sols en bois.

### Consommation Dossier 1:

COM: 1 ml (H. 140 cm).

COL: 1,8 mq.

### Consommation Dossier 2-3:

COM: 1,3 ml (H. 140 cm).

COL: 2,3 mq.

Siège NON empilable.

Emballages renforcés, voir intérieur de la couverture.

### Dossier 1 (petit)

Code	Piètement	Revêtement											colis	m <sup>3</sup>	Kg				
		A	B	C	D	E	F	G	H	L1	L2	L3							
05DUA11	Hêtre																1	0,25	9,1
	Chêne, Bois laqué																		

chaque colis 1 fauteuil

### Dossier 2 (grand)

Code	Piètement	Revêtement											colis	m <sup>3</sup>	Kg				
		A	B	C	D	E	F	G	H	L1	L2	L3							
05DUA12	Hêtre																1	0,3	10,8
	Chêne, Bois laqué																		

chaque colis 1 fauteuil

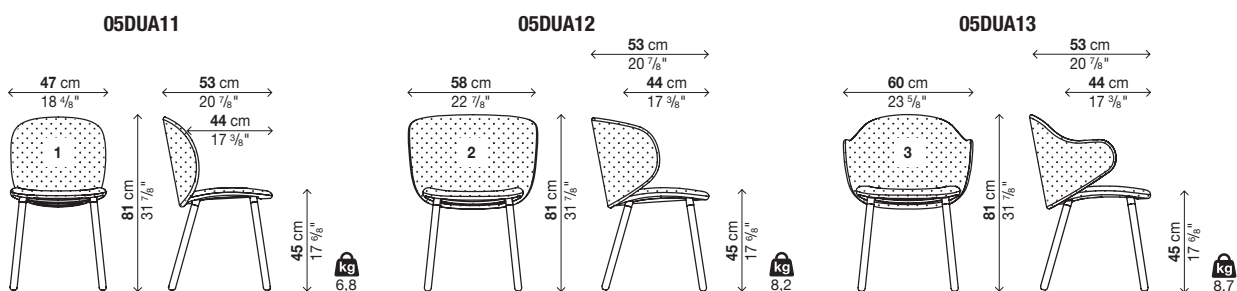
### Dossier 3 (avec accoudoirs)

Code	Piètement	Revêtement											colis	m <sup>3</sup>	Kg				
		A	B	C	D	E	F	G	H	L1	L2	L3							
05DUA13	Hêtre																1	0,3	10,9
	Chêne, Bois laqué																		

chaque colis 1 fauteuil

### Optionals

Code	Description	colis	m <sup>3</sup>	Kg
02PIE11	Lot de patins en feutre	-	-	-



# DUA

## Quatre pieds

### Finition piètement:

Acier chromé  
Acier chromé noir  
Acier aspect laiton  
Acier laqué (blanc, noir)

### Finition du revêtement:

A = Valencia (cuir synthétique)  
B = Field 2, COM (tissu Client)  
C = Clara 2, Merit, COL (cuir du Client)  
D = Curmi, Remix 2, Patio, Regal  
E = Canvas 2, Hero, Scuba  
F = Mélange Nap, Steelcut Trio 3  
G = Divina Mélange 3  
H = Hallingdal 65, Twill Weave  
L1 = Coast (cuir fleur corrigé)  
L2 = Elmosoft (cuir semi-aniline)  
L3 = Elmotique (cuir aniline)

### Notes:

Pour les commandes COM/COL, voir intérieur de la couverture.

Pour toute information sur les compositions des tissus, voir intérieur de la couverture.

Siège avec revêtement NON déhoussable.

### PIEDS:

Standard en plastique dur. Sur demande, nous fournissons des pieds avec insert en feutre pour sols en bois.

### Consommation Dossier 1:

COM: 1 ml (H. 140 cm).

COL: 1,8 mq.

### Consommation Dossier 2-3:

COM: 1,3 ml (H. 140 cm).

COL: 2,3 mq.

Siège NON empilable.

Emballages renforcés, voir intérieur de la couverture.

### Dossier 1 (petit)

Code	Piètement	Revêtement											colis	m <sup>3</sup>	Kg				
		A	B	C	D	E	F	G	H	L1	L2	L3							
05DUA17	Acier laqué, Acier chromé, Acier chromé noir																1	0,25	8,9
	Acier aspect laiton																		

chaque colis 1 fauteuil

### Dossier 2 (grand)

Code	Piètement	Revêtement											colis	m <sup>3</sup>	Kg				
		A	B	C	D	E	F	G	H	L1	L2	L3							
05DUA18	Acier laqué, Acier chromé, Acier chromé noir																1	0,3	10,5
	Acier aspect laiton																		

chaque colis 1 fauteuil

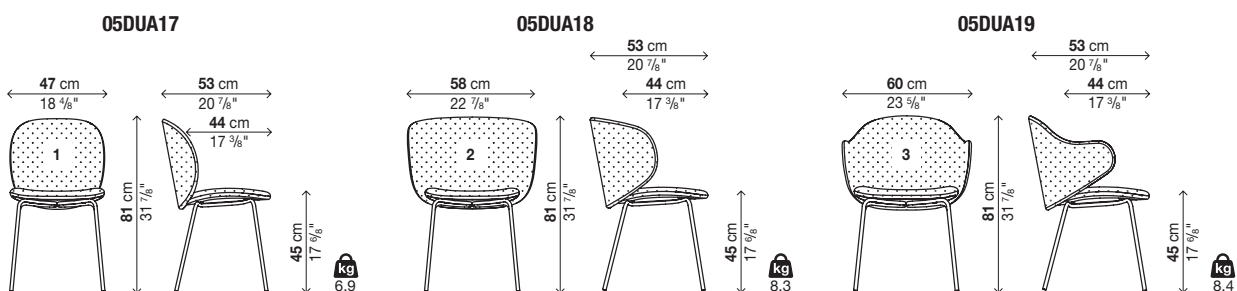
### Dossier 3 (avec accoudoirs)

Code	Piètement	Revêtement											colis	m <sup>3</sup>	Kg				
		A	B	C	D	E	F	G	H	L1	L2	L3							
05DUA19	Acier laqué, Acier chromé, Acier chromé noir																1	0,3	10,6
	Acier aspect laiton																		

chaque colis 1 fauteuil

### Optionals

Code	Description	colis	m <sup>3</sup>	Kg
02PIE12	Lot de patins en feutre	-	-	-



# DUA

## Luge

### Finition piètement:

Acier chromé  
Acier chromé noir  
Acier aspect laiton  
Acier laqué (blanc, noir)

### Finition du revêtement:

A = Valencia (cuir synthétique)  
B = Field 2, COM (tissu Client)  
C = Clara 2, Merit, COL (cuir du Client)  
D = Curmi, Remix 2, Patio, Regal  
E = Canvas 2, Hero, Scuba  
F = Melange Nap, Steelcut Trio 3  
G = Divina Melange 3  
H = Hallingdal 65, Twill Weave  
L1 = Coast (cuir fleur corrigé)  
L2 = Elmosoft (cuir semi-aniline)  
L3 = Elmotique (cuir aniline)

### Notes:

Pour les commandes COM/COL, voir intérieur de la couverture.

Pour toute information sur les compositions des tissus, voir intérieur de la couverture.

Siège avec revêtement NON déhoussable.

### PIEDS:

Standard en plastique dur. Sur demande, nous fournissons des pieds avec insert en feutre pour sols en bois.

### Consommation Dossier 1:

COM: 1 ml (H. 140 cm).

COL: 1,8 mq.

### Consommation Dossier 2-3:

COM: 1,3 ml (H. 140 cm).

COL: 2,3 mq.

Siège NON empilable.

Emballages renforcés, voir intérieur de la couverture.

### Dossier 1 (petit)

Code	Piètement	Revêtement											colis	m <sup>3</sup>	Kg		
		A	B	C	D	E	F	G	H	L1	L2	L3					
05DUA23	Acier laqué																
	Acier chromé, Acier chromé noir																1 0,25 10,3
	Acier aspect laiton																

chaque colis 1 fauteuil

### Dossier 2 (grand)

Code	Piètement	Revêtement											colis	m <sup>3</sup>	Kg		
		A	B	C	D	E	F	G	H	L1	L2	L3					
05DUA24	Acier laqué																
	Acier chromé, Acier chromé noir																1 0,3 11,9
	Acier aspect laiton																

chaque colis 1 fauteuil

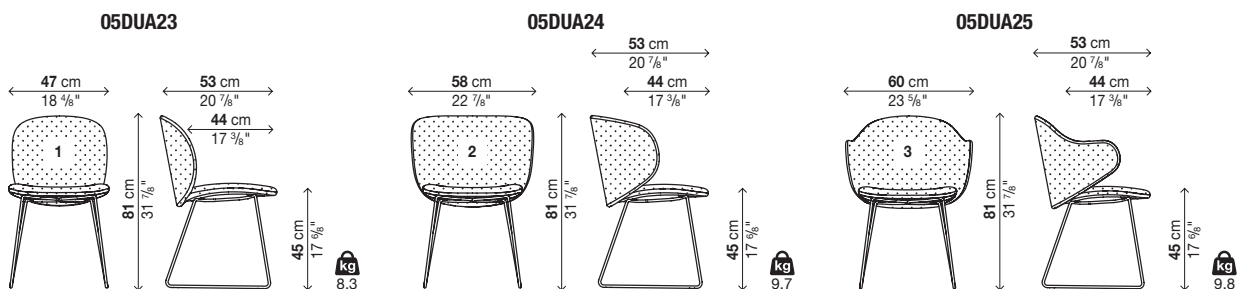
### Dossier 3 (avec accoudoirs)

Code	Piètement	Revêtement											colis	m <sup>3</sup>	Kg		
		A	B	C	D	E	F	G	H	L1	L2	L3					
05DUA25	Acier laqué																
	Acier chromé, Acier chromé noir																1 0,3 12
	Acier aspect laiton																

chaque colis 1 fauteuil

### Optionals

Code	Description	colis	m <sup>3</sup>	Kg
02PIE13	Lot de patins en feutre	-	-	-



# DUA

## Tréteau pivotant

### Finition piètement:

Aluminium poli  
Aluminium laqué (blanc, noir)

### Finition du revêtement:

A = Valencia (cuir synthétique)  
B = Field 2, COM (tissu Client)  
C = Clara 2, Merit, COL (cuir du Client)  
D = Curmi, Remix 2, Patio, Regal  
E = Canvas 2, Hero, Scuba  
F = Melange Nap, Steelcut Trio 3  
G = Divina Melange 3  
H = Hallingdal 65, Twill Weave  
L1 = Coast (cuir fleur corrigé)  
L2 = Elmosoft (cuir semi-aniline)  
L3 = Elmotique (cuir aniline)

### Notes:

Pour les commandes COM/COL, voir intérieur de la couverture.

Pour toute information sur les compositions des tissus, voir intérieur de la couverture.

Siège avec revêtement NON déhoussable.

### PIEDS:

Standard en feutre pour sols en bois.

### Consommation Dossier 1:

COM: 1 ml (H. 140 cm).

COL: 1,8 mq.

### Consommation Dossier 2-3:

COM: 1,3 ml (H. 140 cm).

COL: 2,3 mq.

Emballages renforcés, voir intérieur de la couverture.

### Dossier 1 (petit)

Code	Piètement	Revêtement											colis	m <sup>3</sup>	Kg				
		A	B	C	D	E	F	G	H	L1	L2	L3							
05DUA30	Aluminium laqué																1	0,3	11,7
	Aluminium poli																		

chaque colis 1 fauteuil

### Dossier 2 (grand)

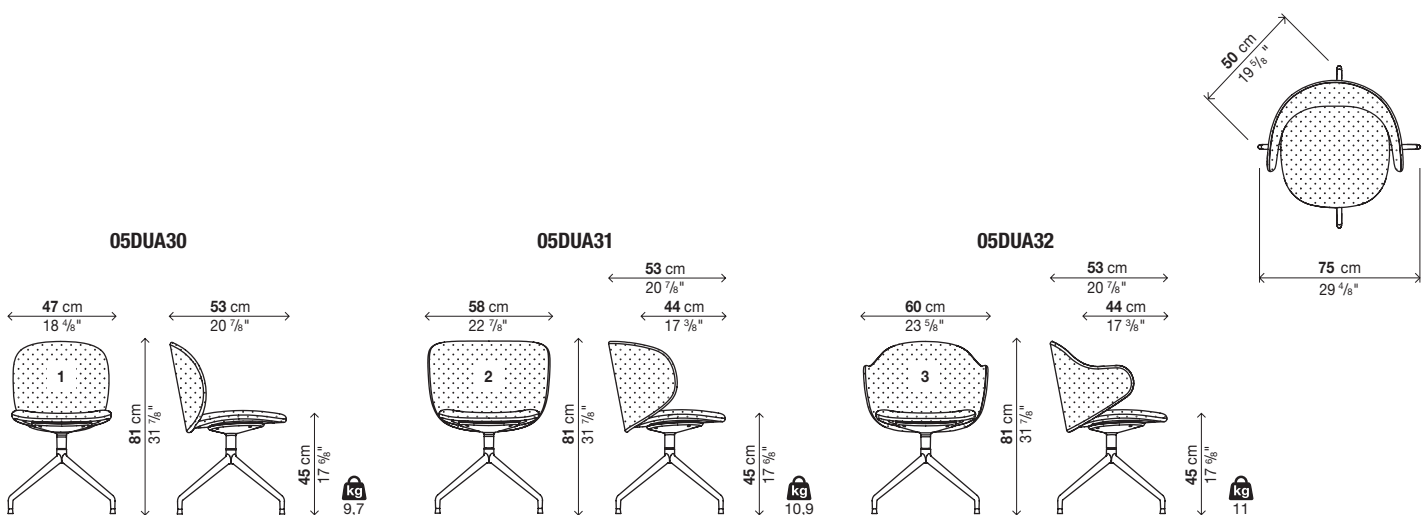
Code	Piètement	Revêtement											colis	m <sup>3</sup>	Kg				
		A	B	C	D	E	F	G	H	L1	L2	L3							
05DUA31	Aluminium laqué																1	0,3	12,9
	Aluminium poli																		

chaque colis 1 fauteuil

### Dossier 3 (avec accoudoirs)

Code	Piètement	Revêtement											colis	m <sup>3</sup>	Kg				
		A	B	C	D	E	F	G	H	L1	L2	L3							
05DUA32	Aluminium laqué																1	0,3	13
	Aluminium poli																		

chaque colis 1 fauteuil



# DUA

## Tréteau à roulettes

### Finition piètement:

Aluminium poli  
Aluminium laqué (blanc, noir)

### Finition du revêtement:

A = Valencia (cuir synthétique)  
B = Field 2, COM (tissu Client)  
C = Clara 2, Merit, COL (cuir du Client)  
D = Curmi, Remix 2, Patio, Regal  
E = Canvas 2, Hero, Scuba  
F = Melange Nap, Steelcut Trio 3  
G = Divina Melange 3  
H = Hallingdal 65, Twill Weave  
L1 = Coast (cuir fleur corrigé)  
L2 = Elmosoft (cuir semi-aniline)  
L3 = Elmotique (cuir aniline)

### Notes:

Pour les commandes COM/COL, voir intérieur de la couverture.

Pour toute information sur les compositions des tissus, voir intérieur de la couverture.

Siège avec revêtement NON déhoussable.

Roulettes pivotantes à frein avec bandage souple.

Consommation Dossier 1:  
COM: 1 ml (H. 140 cm).  
COL: 1,8 mq.  
Consommation Dossier 2-3:  
COM: 1,3 ml (H. 140 cm).  
COL: 2,3 mq.

Emballages renforcés, voir intérieur de la couverture.

### Dossier 1 (petit)

Code	Piètement	Revêtement											colis	m <sup>3</sup>	Kg				
		A	B	C	D	E	F	G	H	L1	L2	L3							
05DUA33	Aluminium laqué																1	0,3	11,7
	Aluminium poli																		

chaque colis 1 fauteuil

### Dossier 2 (grand)

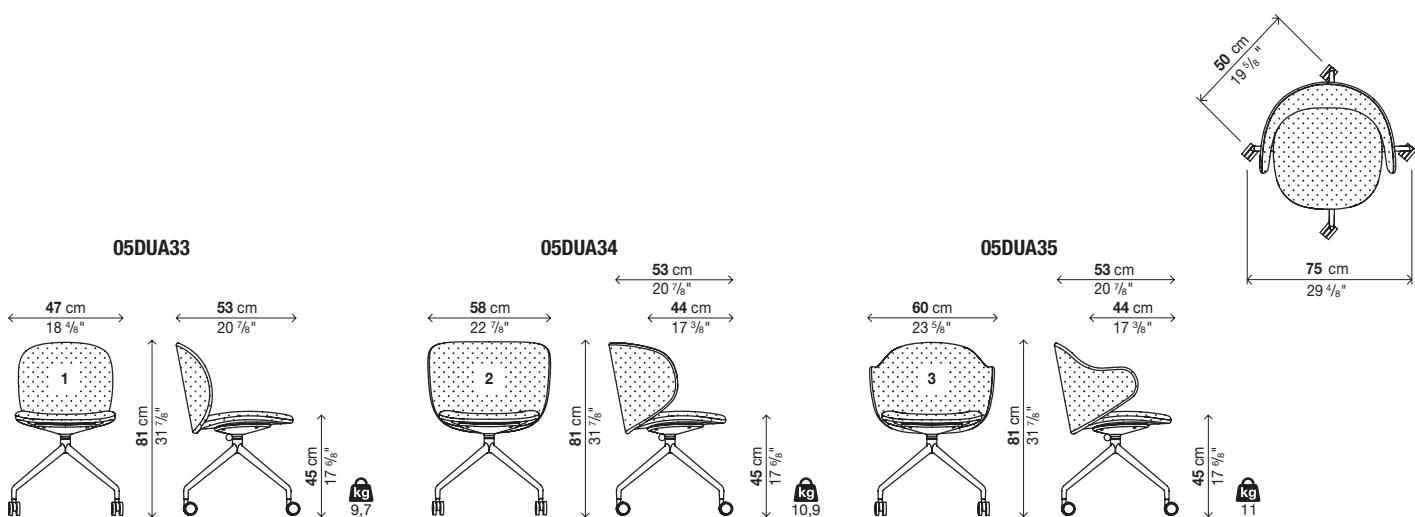
Code	Piètement	Revêtement											colis	m <sup>3</sup>	Kg				
		A	B	C	D	E	F	G	H	L1	L2	L3							
05DUA34	Aluminium laqué																1	0,3	12,9
	Aluminium poli																		

chaque colis 1 fauteuil

### Dossier 3 (avec accoudoirs)

Code	Piètement	Revêtement											colis	m <sup>3</sup>	Kg				
		A	B	C	D	E	F	G	H	L1	L2	L3							
05DUA35	Aluminium laqué																1	0,3	13
	Aluminium poli																		

chaque colis 1 fauteuil



# DUA

## Tabouret bas sur luge (hauteur assise 66 cm)

### Finition piètement:

Acier chromé  
Acier chromé noir  
Acier aspect laiton  
Acier laqué (blanc, noir)

### Finition du revêtement:

A = Valencia (cuir synthétique)  
B = Field 2, COM (tissu Client)  
C = Clara 2, Merit, COL (cuir du Client)  
D = Curmi, Remix 2, Patio, Regal  
E = Canvas 2, Hero, Scuba  
F = Mélange Nap, Steelcut Trio 3  
G = Divina Mélange 3  
H = Hallingdal 65, Twill Weave  
L1 = Coast (cuir fleur corrigé)  
L2 = Elmosoft (cuir semi-aniline)  
L3 = Elmotique (cuir aniline)

### Notes:

Pour les commandes COM/COL, voir intérieur de la couverture.

Pour toute information sur les compositions des tissus, voir intérieur de la couverture.

Siège avec revêtement NON déhoussable.

### PIEDS:

Standard en plastique dur. Sur demande, nous fournissons des pieds avec insert en feutre pour sols en bois.

### Consommation Dossier 1:

COM: 1 ml (H. 140 cm).

COL: 1,8 mq.

### Consommation Dossier 2-3:

COM: 1,3 ml (H. 140 cm).

COL: 2,3 mq.

Emballages renforcés, voir intérieur de la couverture.

### Dossier 1 (petit)

Code	Piètement	Revêtement											colis	m <sup>3</sup>	Kg		
		A	B	C	D	E	F	G	H	L1	L2	L3					
05DUA50	Acier laqué																
	Acier chromé, Acier chromé noir																1 0,35 12,2
	Acier aspect laiton																

chaque colis 1 fauteuil

### Dossier 2 (grand)

Code	Piètement	Revêtement											colis	m <sup>3</sup>	Kg		
		A	B	C	D	E	F	G	H	L1	L2	L3					
05DUA51	Acier laqué																
	Acier chromé, Acier chromé noir																1 0,42 13,8
	Acier aspect laiton																

chaque colis 1 fauteuil

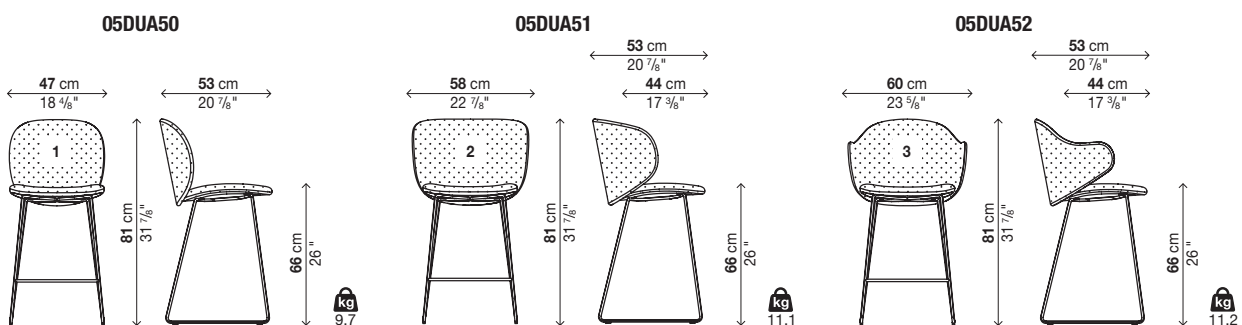
### Dossier 3 (avec accoudoirs)

Code	Piètement	Revêtement											colis	m <sup>3</sup>	Kg		
		A	B	C	D	E	F	G	H	L1	L2	L3					
05DUA52	Acier laqué																
	Acier chromé, Acier chromé noir																1 0,42 13,9
	Acier aspect laiton																

chaque colis 1 fauteuil

### Optionals

Code	Description	colis	m <sup>3</sup>	Kg
02PIE13	Lot de patins en feutre	-	-	-





# DUA

## Tabouret haut sur luge (hauteur assise 76 cm)

### Finition piètement:

Acier chromé  
Acier chromé noir  
Acier aspect laiton  
Acier laqué (blanc, noir)

### Finition du revêtement:

A = Valencia (cuir synthétique)  
B = Field 2, COM (tissu Client)  
C = Clara 2, Merit, COL (cuir du Client)  
D = Curmi, Remix 2, Patio, Regal  
E = Canvas 2, Hero, Scuba  
F = Melange Nap, Steelcut Trio 3  
G = Divina Melange 3  
H = Hallingdal 65, Twill Weave  
L1 = Coast (cuir fleur corrigé)  
L2 = Elmosoft (cuir semi-aniline)  
L3 = Elmotique (cuir aniline)

### Notes:

Pour les commandes COM/COL, voir intérieur de la couverture.

Pour toute information sur les compositions des tissus, voir intérieur de la couverture.

Siège avec revêtement NON déhoussable.

### PIEDS:

Standard en plastique dur. Sur demande, nous fournissons des pieds avec insert en feutre pour sols en bois.

### Consommation Dossier 1:

COM: 1 ml (H. 140 cm).

COL: 1,8 mq.

### Consommation Dossier 2-3:

COM: 1,3 ml (H. 140 cm).

COL: 2,3 mq.

Emballages renforcés, voir intérieur de la couverture.

### Dossier 1 (petit)

Code	Piètement	Revêtement											colis	m <sup>3</sup>	Kg		
		A	B	C	D	E	F	G	H	L1	L2	L3					
05DUA53	Acier laqué																
	Acier chromé, Acier chromé noir																1 0,37 13,2
	Acier aspect laiton																

chaque colis 1 fauteuil

### Dossier 2 (grand)

Code	Piètement	Revêtement											colis	m <sup>3</sup>	Kg		
		A	B	C	D	E	F	G	H	L1	L2	L3					
05DUA54	Acier laqué																
	Acier chromé, Acier chromé noir																1 0,45 14,6
	Acier aspect laiton																

chaque colis 1 fauteuil

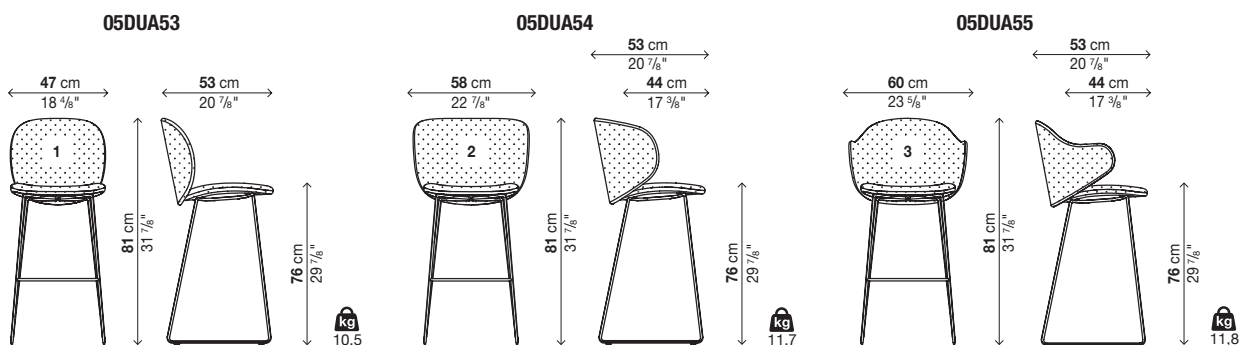
### Dossier 3 (avec accoudoirs)

Code	Piètement	Revêtement											colis	m <sup>3</sup>	Kg		
		A	B	C	D	E	F	G	H	L1	L2	L3					
05DUA55	Acier laqué																
	Acier chromé, Acier chromé noir																1 0,45 14,7
	Acier aspect laiton																

chaque colis 1 fauteuil

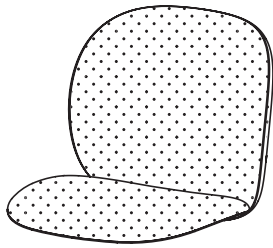
### Optionals

Code	Description	colis	m <sup>3</sup>	Kg
02PIE13	Lot de patins en feutre	-	-	-

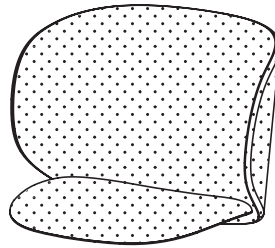


# **DUA**

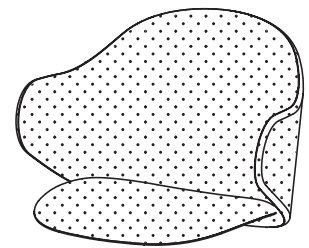
## **Leyenda**



**Respaldo 1 (pequeño)**



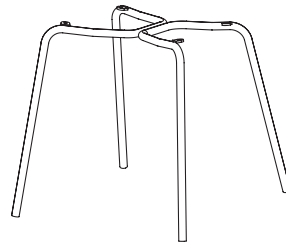
**Respaldo 2 (gran)**



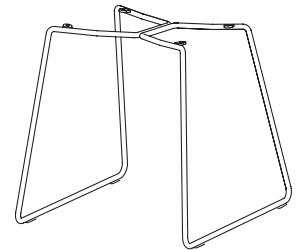
**Respaldo 3 (con brazos)**



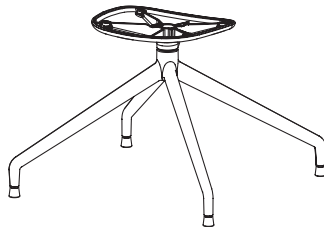
**Base de madera**



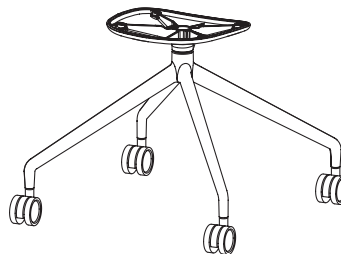
**Cuatro patas**



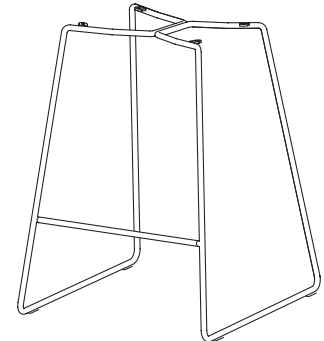
**Trineo**



**Tripode giratoria**



**Tripode con ruedas**



**Taburete**

# DUA

## Base de madera

### Acabado anillo bajo el asiento

Aluminio barnizado blanco  
Aluminio barnizado negro

### Acabado base:

Madera maciza de haya  
Madera maciza de roble europeo  
Madera maciza de roble teñido nogal  
Madera maciza barnizada (blanco, negro)

### Acabado revestimiento:

A = Valencia (piel sintética)  
B = Field 2, COM (tejido Cliente)  
C = Clara 2, Merit, COL (piel del Cliente)  
D = Curmi, Remix 2, Patio, Regal  
E = Canvas 2, Hero, Scuba  
F = Melange Nap, Steelcut Trio 3  
G = Divina Melange 3  
H = Hallingdal 65, Twill Weave  
L1 = Coast (piel flor corregida)  
L2 = Elmosoft (piel semi-anilina)  
L3 = Elmotique (piel anilina)

### Notas:

Para pedidos COM/COL ver lado interno de la portada.

Para obtener información sobre las composiciones de los tejidos, ver lado interno de la portada.

Asiento con revestimiento NO desenfundable.

**Atención:** si no se especifica en el pedido, el acabado del anillo debajo del asiento tendrá estas características:

Patatas de madera = anillo bajo el asiento negro

Patatas de madera barnizada = anillo bajo el asiento a juego con las patas

### PATAS:

Estándar en plástico duro. Bajo pedido se suministran pies con inserto de fieltro para pisos de madera.

### Consumo Respaldo 1:

COM: 1 ml (H. 140 cm).

COL: 1,8 mq.

### Consumo Respaldo 2-3:

COM: 1,3 ml (H. 140 cm).

COL: 2,3 mq.

Asiento NO apilable.

Embalajes reforzados, ver lado interno de la portada.

### Respaldo 1 (pequeño)

Código	Base	Revestimiento											pack	m <sup>3</sup>	Kg				
		A	B	C	D	E	F	G	H	L1	L2	L3							
05DUA11	Haya																1	0,25	9,1
	Roble, Madera barnizada																		

cada paquete contiene 1 butaca

### Respaldo 2 (grande)

Código	Base	Revestimiento											pack	m <sup>3</sup>	Kg				
		A	B	C	D	E	F	G	H	L1	L2	L3							
05DUA12	Haya																1	0,3	10,8
	Roble, Madera barnizada																		

cada paquete contiene 1 butaca

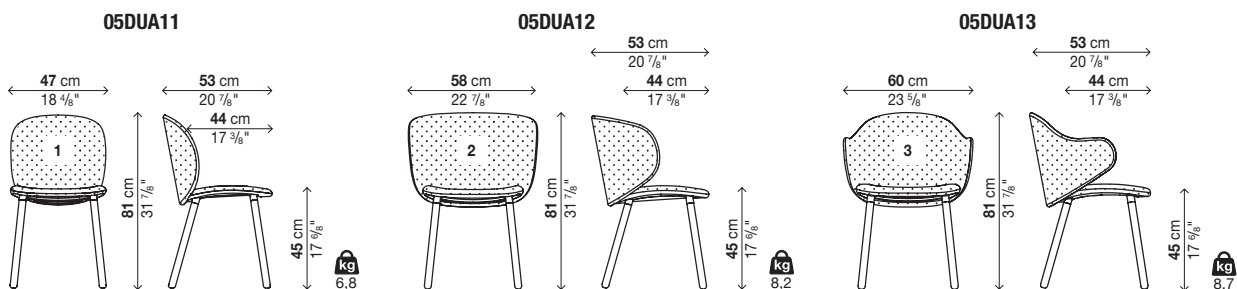
### Respaldo 3 (con brazos)

Código	Base	Revestimiento											pack	m <sup>3</sup>	Kg				
		A	B	C	D	E	F	G	H	L1	L2	L3							
05DUA13	Haya																1	0,3	10,9
	Roble, Madera barnizada																		

cada paquete contiene 1 butaca

### Opcionales

Código	Descripción	pack	m <sup>3</sup>	Kg
02PIE11	Juego de almohadillas de fieltro	-	-	-



# DUA

## Cuatro patas

### Acabado base:

Acero cromado  
Acero cromado negro  
Acero efecto latón  
Acero barnizado (blanco, negro)

### Acabado revestimiento:

A = Valencia (piel sintética)  
B = Field 2, COM (tejido Cliente)  
C = Clara 2, Merit, COL (piel del Cliente)  
D = Curmi, Remix 2, Patio, Regal  
E = Canvas 2, Hero, Scuba  
F = Melange Nap, Steelcut Trio 3  
G = Divina Melange 3  
H = Hallingdal 65, Twill Weave  
L1 = Coast (piel flor corregida)  
L2 = Elmosoft (piel semi-anilina)  
L3 = Elmotique (piel anilina)

### Notas:

Para pedidos COM/COL ver lado interno de la portada.

Para obtener información sobre las composiciones de los tejidos, ver lado interno de la portada.

Asiento con revestimiento NO desenfundable.

### PATAS:

Estándar en plástico duro. Bajo pedido se suministran pies con inserto de fieltro para pisos de madera.

### Consumo Respaldo 1:

COM: 1 ml (H. 140 cm).

COL: 1,8 mq.

### Consumo Respaldo 2-3:

COM: 1,3 ml (H. 140 cm).

COL: 2,3 mq.

Asiento NO apilable.

Embalajes reforzados, ver lado interno de la portada.

### Respaldo 1 (pequeño)

Código	Base	Revestimiento											pack	m <sup>2</sup>	Kg				
		A	B	C	D	E	F	G	H	L1	L2	L3							
05DUA17	Acero barnizado, Acero cromado, Acero cromado negro																1	0,25	8,9
	Acero efecto latón																		

cada paquete contiene 1 butaca

### Respaldo 2 (grande)

Código	Base	Revestimiento											pack	m <sup>2</sup>	Kg				
		A	B	C	D	E	F	G	H	L1	L2	L3							
05DUA18	Acero barnizado, Acero cromado, Acero cromado negro																1	0,3	10,5
	Acero efecto latón																		

cada paquete contiene 1 butaca

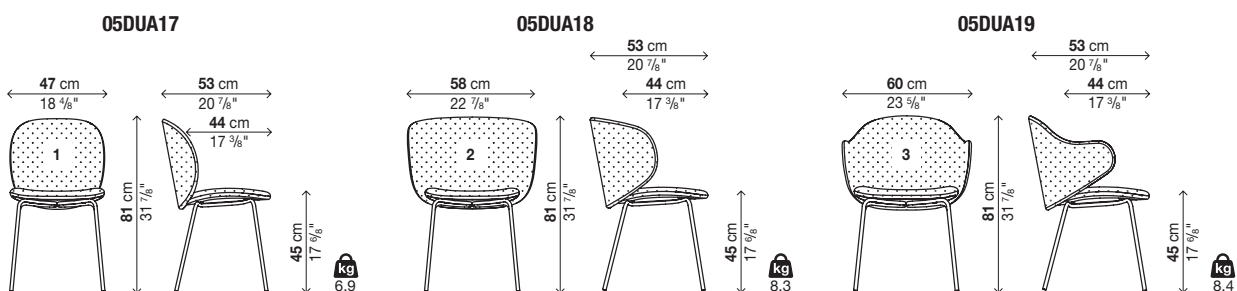
### Respaldo 3 (con brazos)

Código	Base	Revestimiento											pack	m <sup>2</sup>	Kg				
		A	B	C	D	E	F	G	H	L1	L2	L3							
05DUA19	Acero barnizado, Acero cromado, Acero cromado negro																1	0,3	10,6
	Acero efecto latón																		

cada paquete contiene 1 butaca

### Opcionales

Código	Descripción	pack	m <sup>2</sup>	Kg
02PIE12	Juego de almohadillas de fieltro	-	-	-



# DUA

## Trineo

### Acabado base:

Acero cromado  
Acero cromado negro  
Acero efecto latón  
Acero barnizado (blanco, negro)

### Acabado revestimiento:

A = Valencia (piel sintética)  
B = Field 2, COM (tejido Cliente)  
C = Clara 2, Merit, COL (piel del Cliente)  
D = Curmi, Remix 2, Patio, Regal  
E = Canvas 2, Hero, Scuba  
F = Melange Nap, Steelcut Trio 3  
G = Divina Melange 3  
H = Hallingdal 65, Twill Weave  
L1 = Coast (piel flor corregida)  
L2 = Elmosoft (piel semi-anilina)  
L3 = Elmotique (piel anilina)

### Notas:

Para pedidos COM/COL ver lado interno de la portada.

Para obtener información sobre las composiciones de los tejidos, ver lado interno de la portada.

Asiento con revestimiento NO desenfundable.

### PATAS:

Estándar en plástico duro. Bajo pedido se suministran pies con inserto de fieltro para pisos de madera.

### Consumo Respaldo 1:

COM: 1 ml (H. 140 cm).

COL: 1,8 mq.

### Consumo Respaldo 2-3:

COM: 1,3 ml (H. 140 cm).

COL: 2,3 mq.

Asiento NO apilable.

Embalajes reforzados, ver lado interno de la portada.

### Respaldo 1 (pequeño)

Código	Base	Revestimiento											pack	m <sup>3</sup>	Kg			
		A	B	C	D	E	F	G	H	L1	L2	L3						
05DUA23	Acero barnizado															1	0,25	10,3
	Acero cromado, Acero cromado negro																	
	Acero efecto latón																	

cada paquete contiene 1 butaca

### Respaldo 2 (grande)

Código	Base	Revestimiento											pack	m <sup>3</sup>	Kg			
		A	B	C	D	E	F	G	H	L1	L2	L3						
05DUA24	Acero barnizado															1	0,3	11,9
	Acero cromado, Acero cromado negro																	
	Acero efecto latón																	

cada paquete contiene 1 butaca

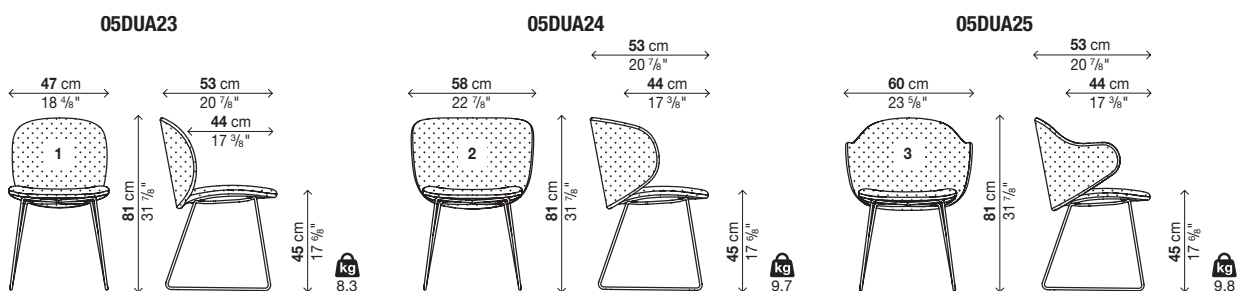
### Respaldo 3 (con brazos)

Código	Base	Revestimiento											pack	m <sup>3</sup>	Kg			
		A	B	C	D	E	F	G	H	L1	L2	L3						
05DUA25	Acero barnizado															1	0,3	12
	Acero cromado, Acero cromado negro																	
	Acero efecto latón																	

cada paquete contiene 1 butaca

### Opcionales

Código	Descripción	pack	m <sup>3</sup>	Kg
02PIE13	Juego de almohadillas de fieltro	-	-	-



# DUA

## Trípode giratoria

### Acabado base:

Aluminio pulido  
Aluminio barnizado (blanco, negro)

### Acabado revestimiento:

A = Valencia (piel sintética)  
B = Field 2, COM (tejido Cliente)  
C = Clara 2, Merit, COL (piel del Cliente)  
D = Curmi, Remix 2, Patio, Regal  
E = Canvas 2, Hero, Scuba  
F = Melange Nap, Steelcut Trio 3  
G = Divina Melange 3  
H = Hallingdal 65, Twill Weave  
L1 = Coast (piel flor corregida)  
L2 = Elmosoft (piel semi-anilina)  
L3 = Elmotique (piel anilina)

### Notas:

Para pedidos COM/COL ver lado interno de la portada.

Para obtener información sobre las composiciones de los tejidos, ver lado interno de la portada.

Asiento con revestimiento NO desenfundable.

### PATAS:

Estándar en fieltro para suelos de madera.

### Consumo Respaldo 1:

COM: 1 ml (H. 140 cm).

COL: 1,8 mq.

### Consumo Respaldo 2-3:

COM: 1,3 ml (H. 140 cm).

COL: 2,3 mq.

Embalajes reforzados, ver lado interno de la portada.

### Respaldo 1 (pequeño)

Código	Base	Revestimiento											pack	m <sup>3</sup>	Kg				
		A	B	C	D	E	F	G	H	L1	L2	L3							
05DUA30	Aluminio barnizado																1	0,3	11,7
	Aluminio pulido																		

cada paquete contiene 1 butaca

### Respaldo 2 (grande)

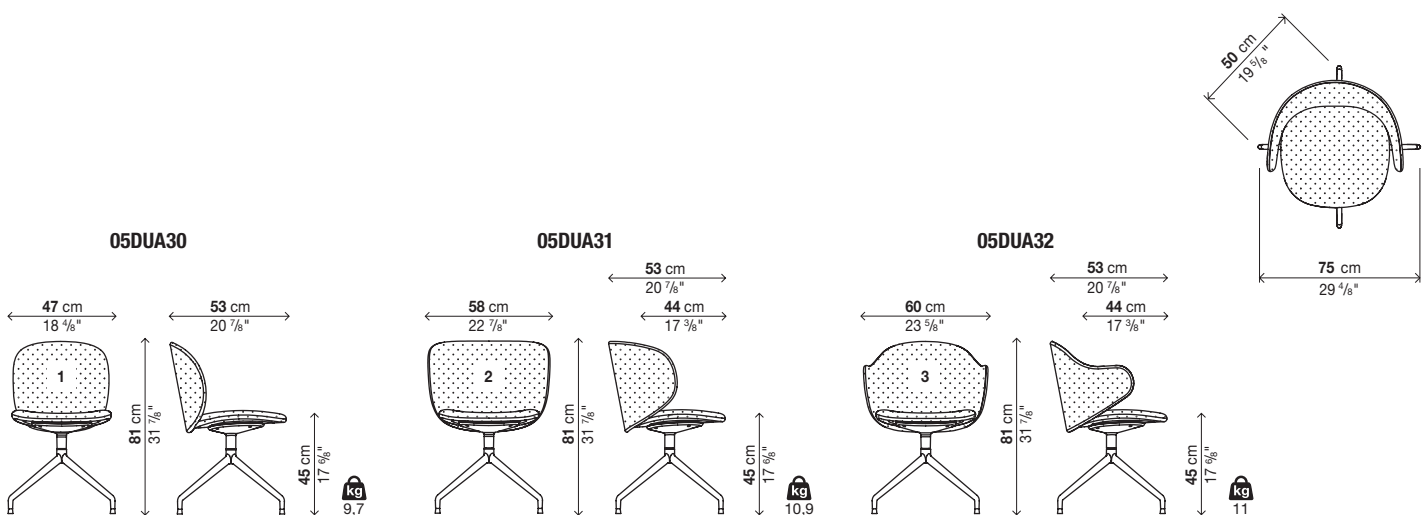
Código	Base	Revestimiento											pack	m <sup>3</sup>	Kg				
		A	B	C	D	E	F	G	H	L1	L2	L3							
05DUA31	Aluminio barnizado																1	0,3	12,9
	Aluminio pulido																		

cada paquete contiene 1 butaca

### Respaldo 3 (con brazos)

Código	Base	Revestimiento											pack	m <sup>3</sup>	Kg				
		A	B	C	D	E	F	G	H	L1	L2	L3							
05DUA32	Aluminio barnizado																1	0,3	13
	Aluminio pulido																		

cada paquete contiene 1 butaca



# DUA

## Trípode con ruedas

### Acabado base:

Aluminio pulido  
Aluminio barnizado (blanco, negro)

### Acabado revestimiento:

A = Valencia (piel sintética)  
B = Field 2, COM (tejido Cliente)  
C = Clara 2, Merit, COL (piel del Cliente)  
D = Curmi, Remix 2, Patio, Regal  
E = Canvas 2, Hero, Scuba  
F = Melange Nap, Steelcut Trio 3  
G = Divina Melange 3  
H = Hallingdal 65, Twill Weave  
L1 = Coast (piel flor corregida)  
L2 = Elmosoft (piel semi-anilina)  
L3 = Elmotique (piel anilina)

### Notas:

Para pedidos COM/COL ver lado interno de la portada.

Para obtener información sobre las composiciones de los tejidos, ver lado interno de la portada.

Asiento con revestimiento NO desenfundable.

Ruedas pivotantes de tipo autofrenante con rodadura blanda.

Consumo Respaldo 1:

COM: 1 ml (H. 140 cm).

COL: 1,8 mq.

Consumo Respaldo 2-3:

COM: 1,3 ml (H. 140 cm).

COL: 2,3 mq.

Embalajes reforzados, ver lado interno de la portada.

### Respaldo 1 (pequeño)

Código	Base	Revestimiento											pack	m <sup>3</sup>	Kg				
		A	B	C	D	E	F	G	H	L1	L2	L3							
05DUA33	Aluminio barnizado																1	0,3	11,7
	Aluminio pulido																		

cada paquete contiene 1 butaca

### Respaldo 2 (grande)

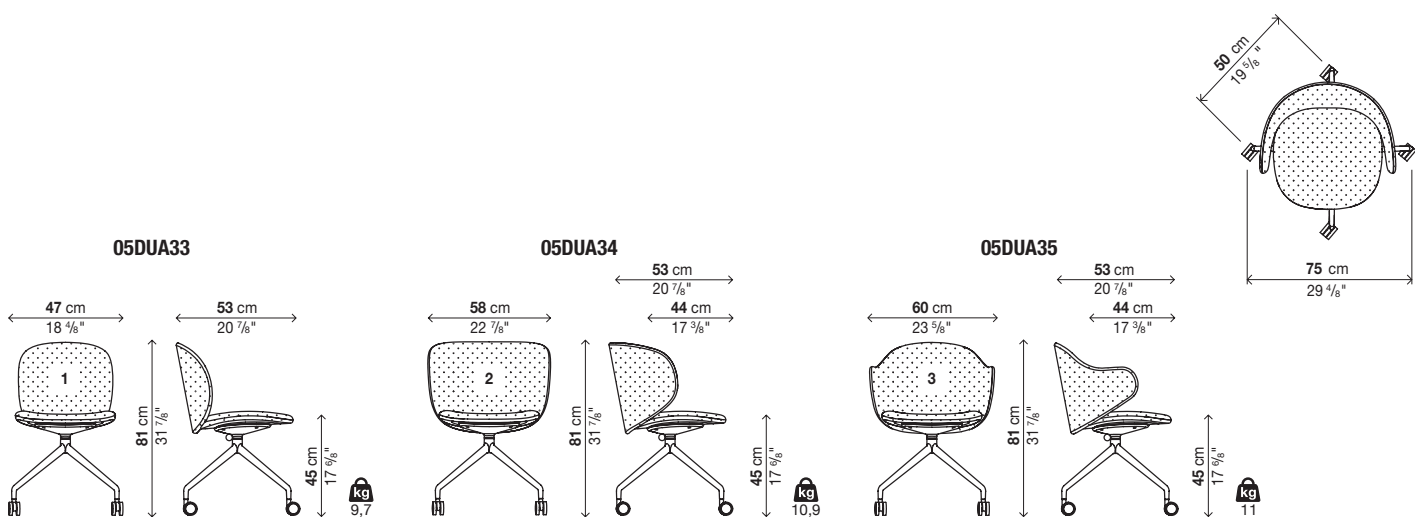
Código	Base	Revestimiento											pack	m <sup>3</sup>	Kg				
		A	B	C	D	E	F	G	H	L1	L2	L3							
05DUA34	Aluminio barnizado																1	0,3	12,9
	Aluminio pulido																		

cada paquete contiene 1 butaca

### Respaldo 3 (con brazos)

Código	Base	Revestimiento											pack	m <sup>3</sup>	Kg				
		A	B	C	D	E	F	G	H	L1	L2	L3							
05DUA35	Aluminio barnizado																1	0,3	13
	Aluminio pulido																		

cada paquete contiene 1 butaca



# DUA

## Taburete bajo en trineo (altura asiento 66 cm)

### Acabado base:

Acero cromado  
Acero cromado negro  
Acero efecto latón  
Acero barnizado (blanco, negro)

### Acabado revestimiento:

A = Valencia (piel sintética)  
B = Field 2, COM (tejido Cliente)  
C = Clara 2, Merit, COL (piel del Cliente)  
D = Curmi, Remix 2, Patio, Regal  
E = Canvas 2, Hero, Scuba  
F = Melange Nap, Steelcut Trio 3  
G = Divina Melange 3  
H = Hallingdal 65, Twill Weave  
L1 = Coast (piel flor corregida)  
L2 = Elmosoft (piel semi-anilina)  
L3 = Elmotique (piel anilina)

### Notas:

Para pedidos COM/COL ver lado interno de la portada.

Para obtener información sobre las composiciones de los tejidos, ver lado interno de la portada.

Asiento con revestimiento NO desenfundable.

### PATAS:

Estándar en plástico duro. Bajo pedido se suministran pies con inserto de fieltro para pisos de madera.

### Consumo Respaldo 1:

COM: 1 ml (H. 140 cm).

COL: 1,8 mq.

### Consumo Respaldo 2-3:

COM: 1,3 ml (H. 140 cm).

COL: 2,3 mq.

Embalajes reforzados, ver lado interno de la portada.

### Respaldo 1 (pequeño)

Código	Base	Revestimiento											pack	m <sup>3</sup>	Kg		
		A	B	C	D	E	F	G	H	L1	L2	L3					
05DUA50	Acero barnizado																
	Acero cromado, Acero cromado negro																1 0,35 12,2
	Acero efecto latón																

cada paquete contiene 1 butaca

### Respaldo 2 (grande)

Código	Base	Revestimiento											pack	m <sup>3</sup>	Kg		
		A	B	C	D	E	F	G	H	L1	L2	L3					
05DUA51	Acero barnizado																
	Acero cromado, Acero cromado negro																1 0,42 13,8
	Acero efecto latón																

cada paquete contiene 1 butaca

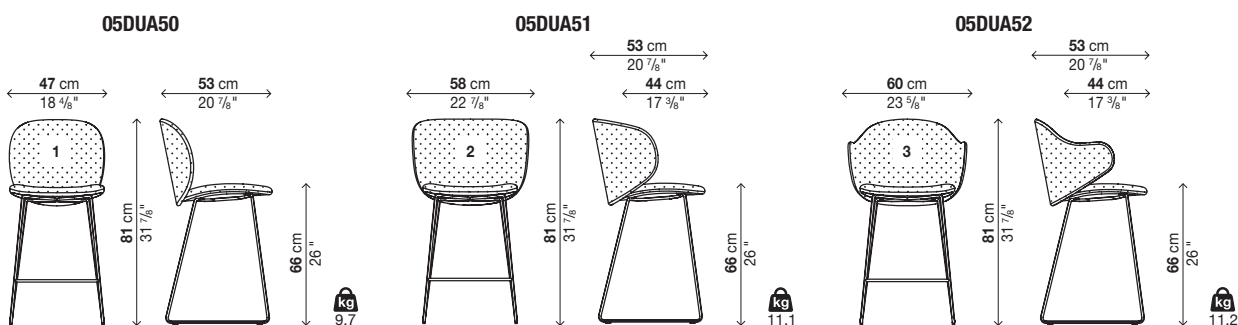
### Respaldo 3 (con brazos)

Código	Base	Revestimiento											pack	m <sup>3</sup>	Kg		
		A	B	C	D	E	F	G	H	L1	L2	L3					
05DUA52	Acero barnizado																
	Acero cromado, Acero cromado negro																1 0,42 13,9
	Acero efecto latón																

cada paquete contiene 1 butaca

### Opcionales

Código	Descripción	pack	m <sup>3</sup>	Kg
02PIE13	Juego de almohadillas de fieltro	-	-	-





# DUA

## Taburete alta en trineo (altura asiento 76 cm)

### Acabado base:

Acero cromado  
Acero cromado negro  
Acero efecto latón  
Acero barnizado (blanco, negro)

### Acabado revestimiento:

A = Valencia (piel sintética)  
B = Field 2, COM (tejido Cliente)  
C = Clara 2, Merit, COL (piel del Cliente)  
D = Curmi, Remix 2, Patio, Regal  
E = Canvas 2, Hero, Scuba  
F = Melange Nap, Steelcut Trio 3  
G = Divina Melange 3  
H = Hallingdal 65, Twill Weave  
L1 = Coast (piel flor corregida)  
L2 = Elmosoft (piel semi-anilina)  
L3 = Elmotique (piel anilina)

### Notas:

Para pedidos COM/COL ver lado interno de la portada.

Para obtener información sobre las composiciones de los tejidos, ver lado interno de la portada.

Asiento con revestimiento NO desenfundable.

### PATAS:

Estándar en plástico duro. Bajo pedido se suministran pies con inserto de fieltro para pisos de madera.

### Consumo Respaldo 1:

COM: 1 ml (H. 140 cm).

COL: 1,8 mq.

### Consumo Respaldo 2-3:

COM: 1,3 ml (H. 140 cm).

COL: 2,3 mq.

Embalajes reforzados, ver lado interno de la portada.

### Respaldo 1 (pequeño)

Código	Base	Revestimiento											pack	m <sup>3</sup>	Kg		
		A	B	C	D	E	F	G	H	L1	L2	L3					
05DUA53	Acero barnizado																
	Acero cromado, Acero cromado negro																1 0,37 13,2
	Acero efecto latón																

cada paquete contiene 1 butaca

### Respaldo 2 (grande)

Código	Base	Revestimiento											pack	m <sup>3</sup>	Kg		
		A	B	C	D	E	F	G	H	L1	L2	L3					
05DUA54	Acero barnizado																
	Acero cromado, Acero cromado negro																1 0,45 14,6
	Acero efecto latón																

cada paquete contiene 1 butaca

### Respaldo 3 (con brazos)

Código	Base	Revestimiento											pack	m <sup>3</sup>	Kg		
		A	B	C	D	E	F	G	H	L1	L2	L3					
05DUA55	Acero barnizado																
	Acero cromado, Acero cromado negro																1 0,45 14,7
	Acero efecto latón																

cada paquete contiene 1 butaca

### Opcionales

Código	Descripción	pack	m <sup>3</sup>	Kg
02PIE13	Juego de almohadillas de fieltro	-	-	-

