



Chair with back covered in leather, sewn by hand, modelled to create an enveloping shape. Base with rotating leg in satin steel.

STANDARD VERSION: REVOLVING CHAIR - SATIN STEEL BASE

CODE	SIZE	D3	D6
8.21.1 LEATHER	W.58 x D.46 x H.43/76	■	■

AVAILABLE FINISHES:

D3: leather: camoscio, cristal

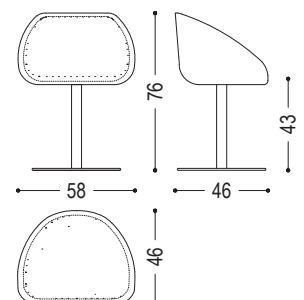
D6: COL

FEASIBILITY LACQUERED BASE

B3	■
----	---

AVAILABLE FINISHES:

B3: lacquered iron matt brushed effect: aged copper, aged bronze, stainless steel, titanium
lacquered iron oxidised effect








LEATHER / FABRIC

D3

				
Leather camoscio: 1	Leather camoscio: 10	Leather camoscio: 11	Leather camoscio: 26	Leather camoscio: 27
				
Leather camoscio: 28	Leather camoscio: 31			
				
Leather cristal: 13	Leather cristal: 14	Leather cristal: 17	Leather cristal: 18	Leather cristal: 37
				
Leather cristal: 49	Leather cristal: 51	Leather cristal: 65	Leather cristal: 70	

IRON

B3

				
lacquered iron, matt brushed effect: aged copper	lacquered iron, matt brushed effect: aged bronze	lacquered iron, matt brushed effect: stainless steel	lacquered iron, matt brushed effect: titanium	lacquered iron, oxidised effect