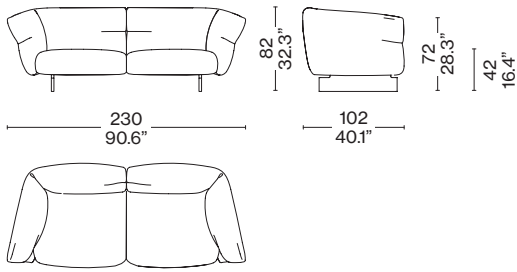
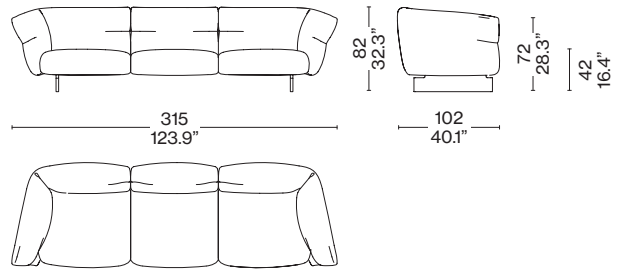


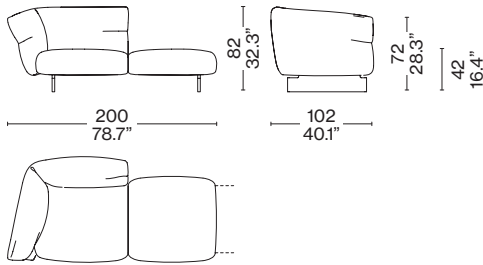
568 00 02



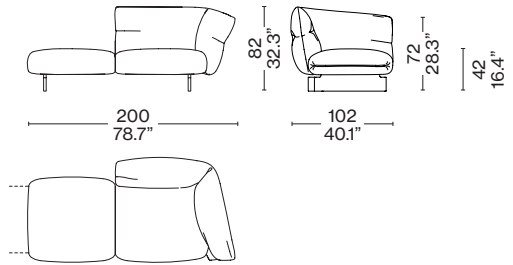
568 00 03



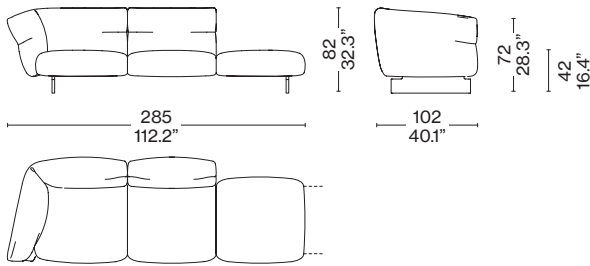
568 A2 02



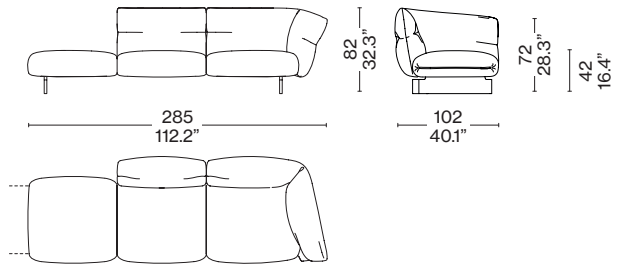
568 A2 12



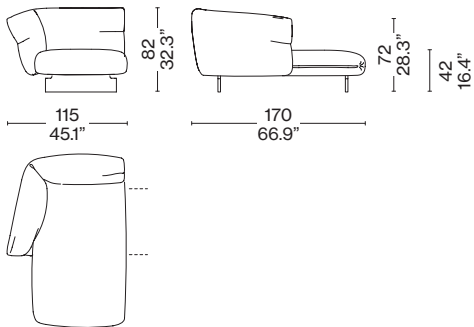
568 A3 03



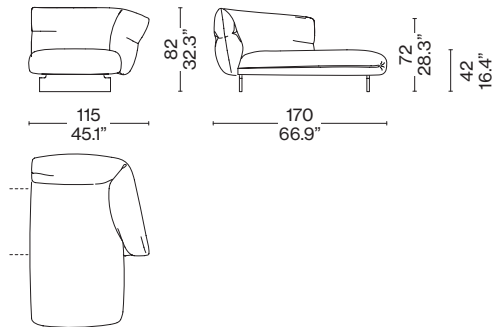
568 A3 13



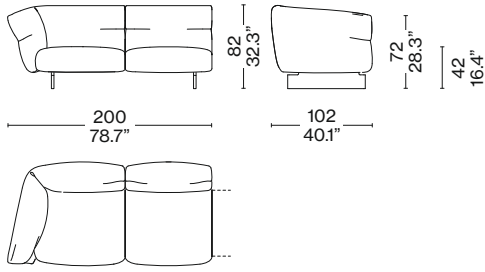
568 00 10



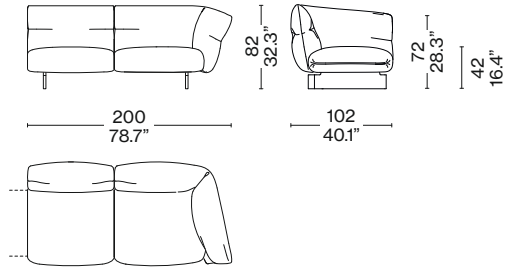
568 00 11



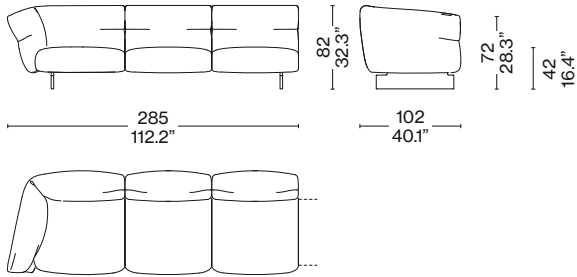
568 B2 02



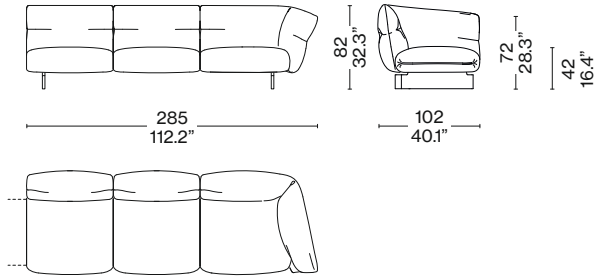
568 B2 12



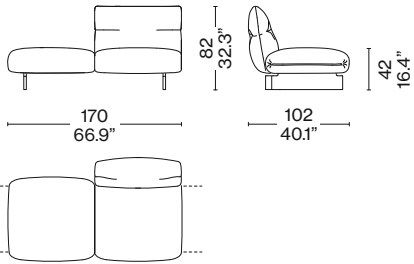
568 B3 03



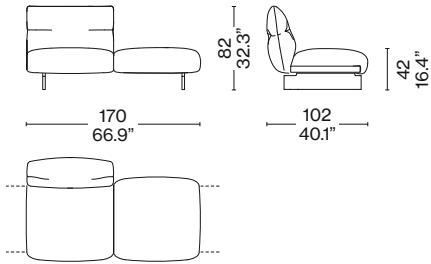
568 B3 13



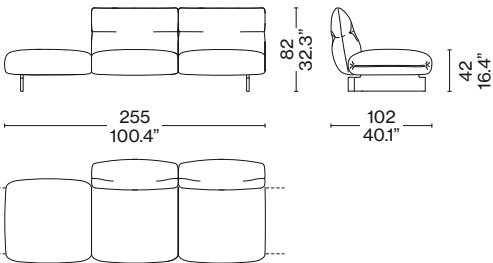
568 A2 22



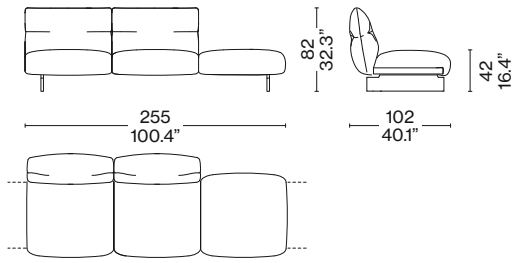
568 A2 32



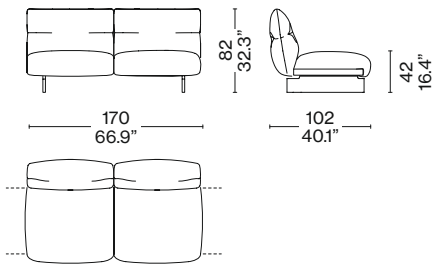
568 A3 23



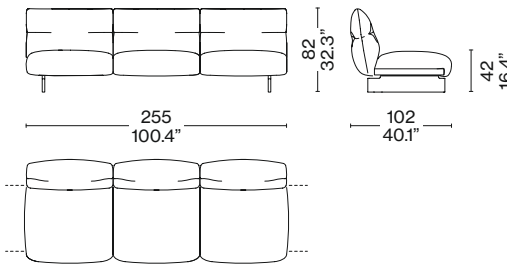
568 A3 33



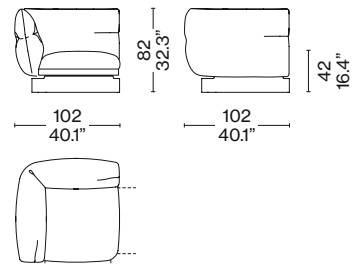
568 B2 42



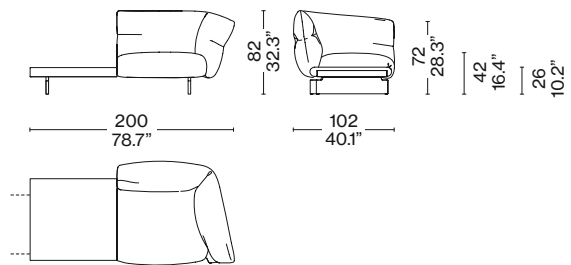
568 B3 43



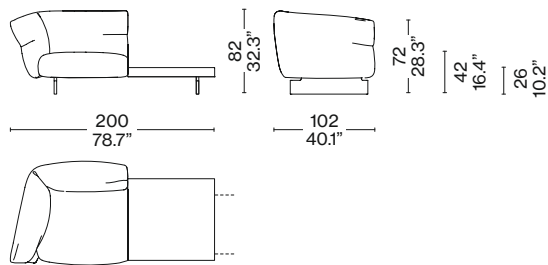
568 B1 00



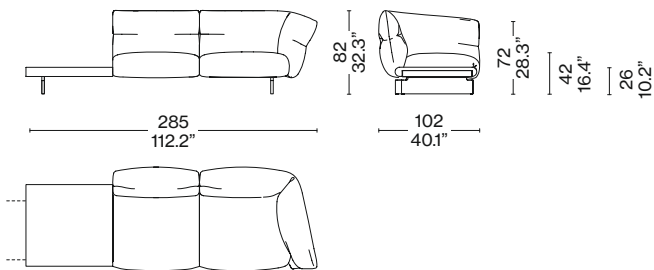
568 T0 02



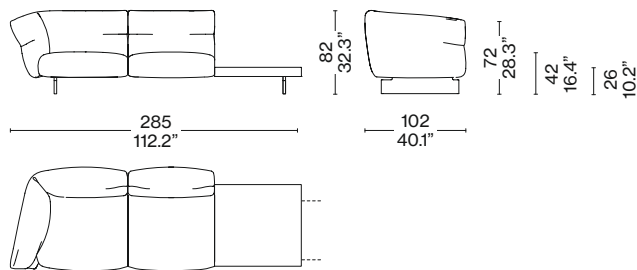
568 T0 12



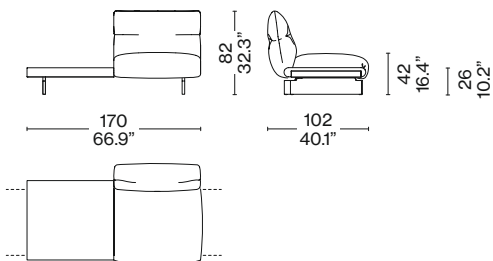
568 T0 03



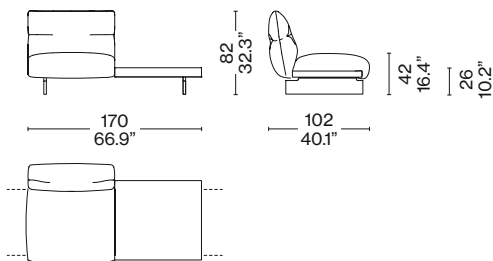
568 T0 13



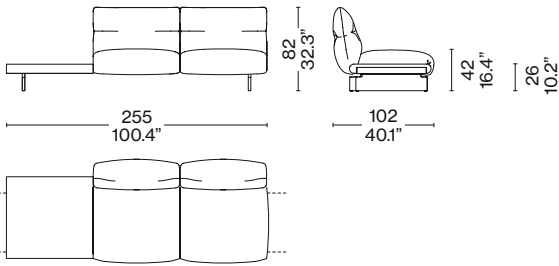
568 T0 22



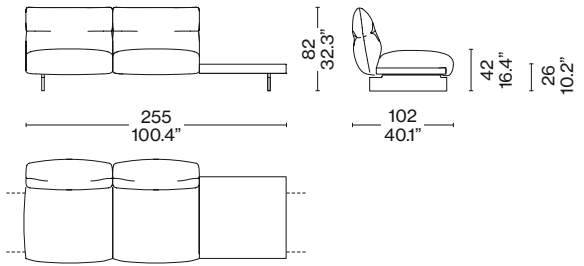
568 T0 32



568 T0 23

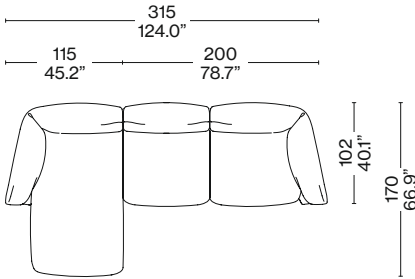


568 T0 33

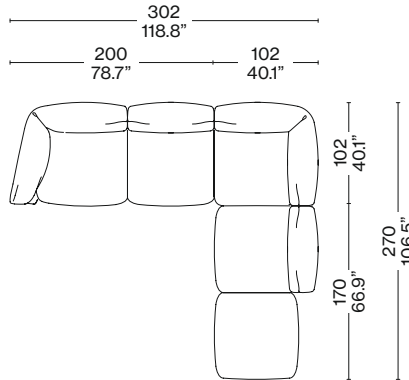


COMPOSIZIONI SUGGERITE / RECOMMENDED COMPOSITIONS / EMPFOHLENE KOMPOSITIONEN / COMPOSITIONS CONSEILLÉES

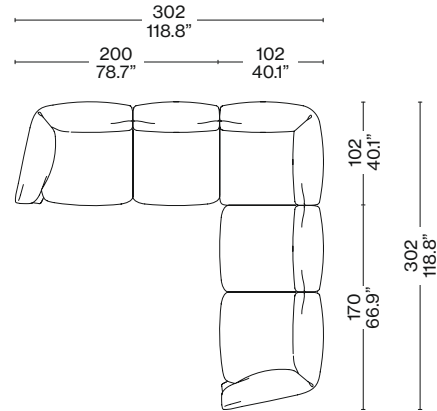
568 00 10 + 568 B2 12



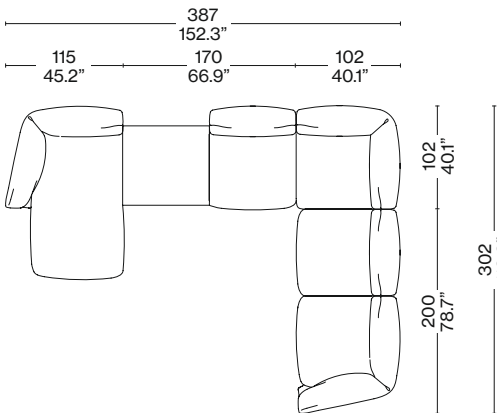
568 B2 02 + 568 B1 00 + 568 A2 32



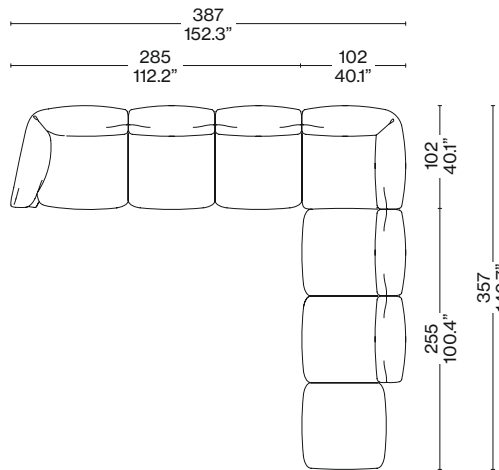
568 B2 02 + 568 B1 00 + 568 B2 12



568 00 10 + 568 T0 22 + 568 B1 00 + 568 B2 12



568 B3 03+568 B1 00+568 A3 33



568 00 10+568 A3 33

