

## AXOR Edge

### 3-hole basin mixer 130 with push-open waste set

Surfaces: **Chrome** Article Number: **46050000**



#### product features

- consists of: 3-hole basin mixer, waste set
- ComfortZone 130
- projection 173 mm
- spray type: normal spray
- maximum flow rate at 3 bar: 5 l/min
- ceramic valves hot/ cold 90°
- suitable for continuous flow water heaters
- material waste set: metal
- connection type: G 3/8 connections
- connection dimension: DN15
- push-open waste set G 1 1/4

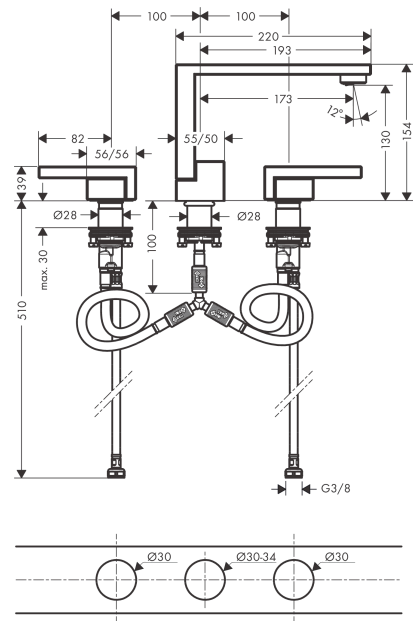
#### Technology



#### Product image



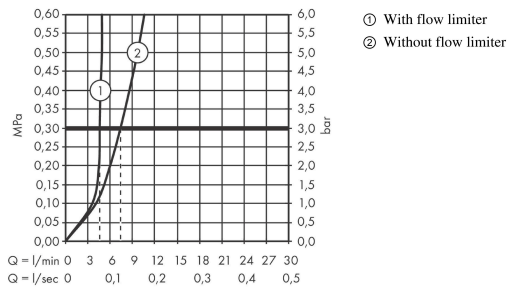
#### Scale drawing



**AXOR Edge**  
**3-hole basin mixer 130 with push-open waste set**  
 Surfaces: **Chrome** Article Number: **46050000**



## Flowchart

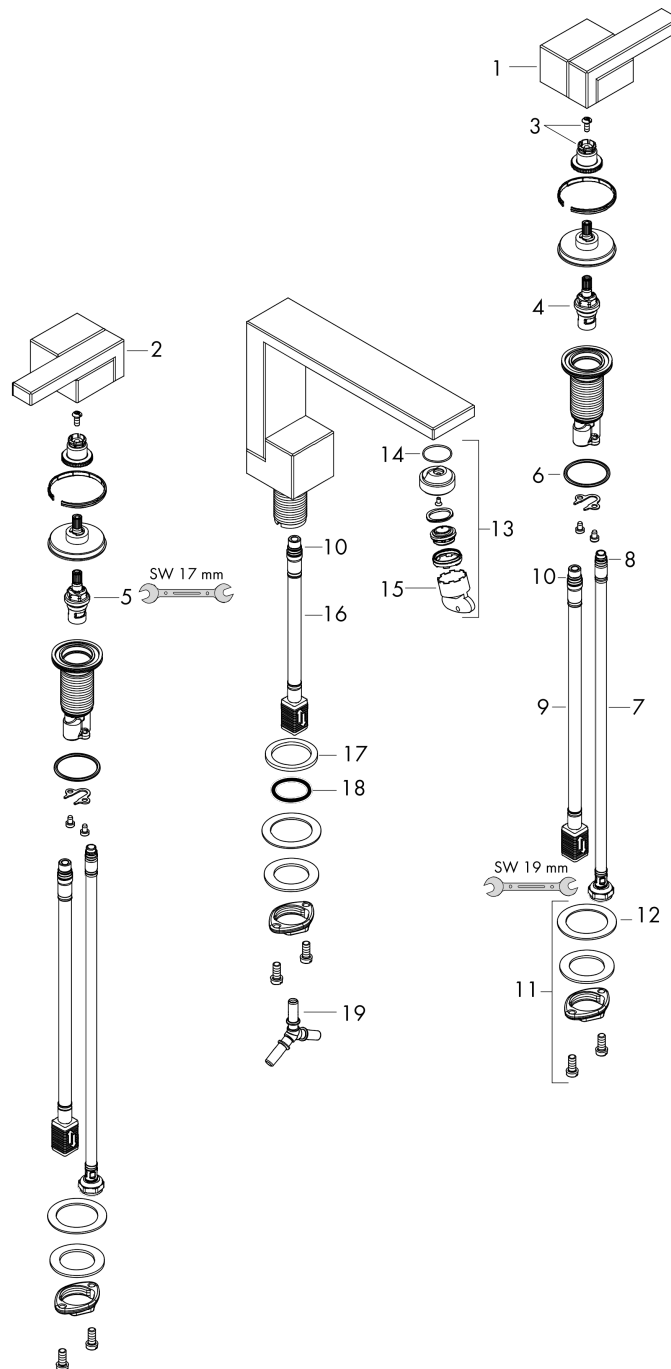


**AXOR Edge**  
**3-hole basin mixer 130 with push-open waste set**  
 Surfaces: **Chrome**    Article Number: **46050000**



## Exploded Drawing

Year of production: >04/19



**AXOR Edge**  
**3-hole basin mixer 130 with push-open waste set**  
 Surfaces: **Chrome** Article Number: **46050000**



## Spare part list

Year of production: >04/19

Pos.		Article Number	Price	PU
1	handle for cold water	93618000	-	1
2	handle for hot water	93617000	-	1
3	handle fixing set	94184000	-	1
4	shut off unit left closing	95366000	-	1
5	shut off unit right closing	98817000	-	1
6	O-ring 33x2,5	92907000	-	1
7	connection hose 400 mm M10x1	92914000	-	1
8	O-ring 8x1,75	97827000	-	1
9	connection hose 450 mm M8x0,75 G3/8	97206000	-	1
10	O-ring 7x1,5	98422000	-	1
11	fixing set (Ø 28)	92909000	-	1
12	lever collar	97548000	-	1
13	aerator M24x1 (5 l/min)	93426000	-	1
14	O-ring 22x1,2	98397000	-	1
15	service tool	95661000	-	1
16	connection hose 200 mm M10x1	92913000	-	1
17	flat seal	98749000	-	1
18	O-ring 26x4	92191000	-	1
19	hose connection angel	92905000	-	1
a	push-open waste set	51300000	-	1