

AXOR Starck
Single lever shower mixer for exposed installation with lever handle
 Surfaces: **Chrome** Article Number: **10665000**



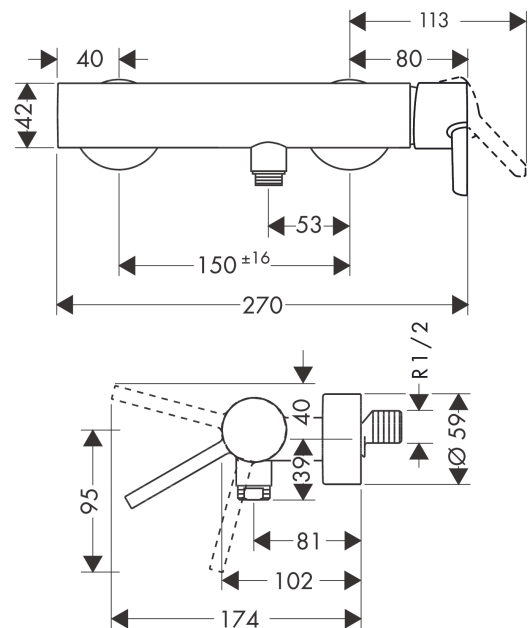
product features

- 1 function
- connection type: s-shaped connections
- centre distance: 150 ± 16 mm
- maximum flow rate at 3 bar: 16 l/min
- flow rate of hand shower at 3 bar: 16 l/min
- ceramic cartridge
- min. operating pressure: 1 bar
- max. operating pressure: 10 bar
- temperature limitation adjustable
- non-return valve
- with silencer
- suitable for continuous flow water heaters
- hose connection DN15
- connection dimension: DN15
- matching handle design for the AXOR Starck basin mixers with lever handles

Product image



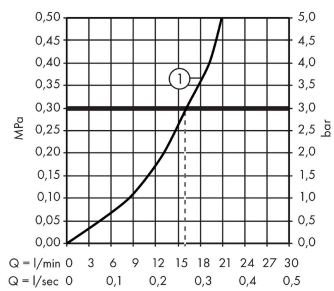
Scale drawing



AXOR Starck
Single lever shower mixer for exposed installation with lever handle
Surfaces: **Chrome** Article Number: **10665000**



Flowchart

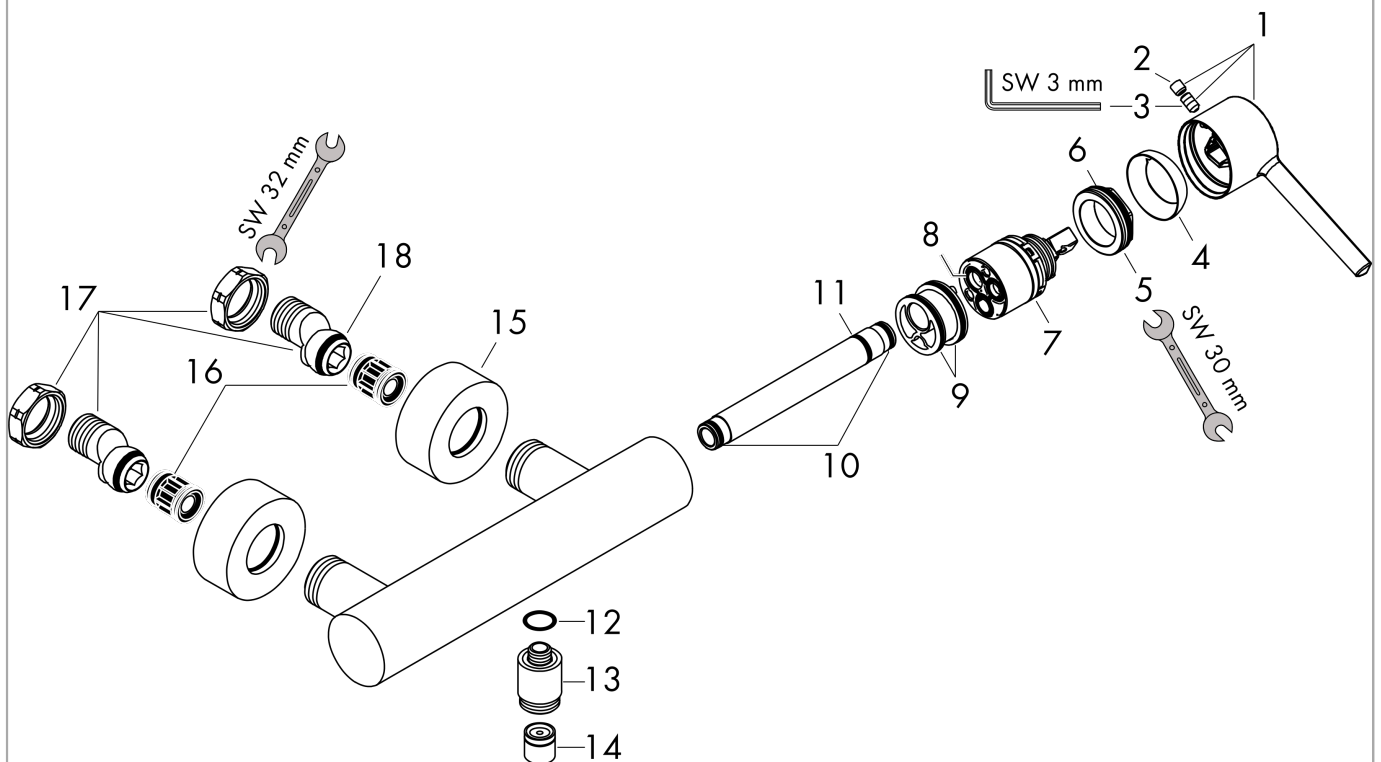


AXOR Starck
Single lever shower mixer for exposed installation with lever handle
Surfaces: **Chrome** Article Number: **10665000**



Exploded Drawing

Year of production: >09/16



AXOR Starck
Single lever shower mixer for exposed installation with lever handle
 Surfaces: **Chrome** Article Number: **10665000**



Spare part list

Year of production: >09/16

Pos.		Article Number	Price	PU
1	handle	92927000	-	1
2	screw cover	96762000	-	1
3	hollow set screw M6x10 DIN 916	96029000	-	1
4	flange	96763000	-	1
5	O-ring 33x2	98154000	-	1
6	nut	97209000	-	1
7	cartridge, assy	92730000	-	1
8	seal	95008000	-	1
9	O-ring 29x2	98391000	-	1
10	O-ring 11x2	98127000	-	1
11	O-ring 12x2	98214000	-	1
12	O-ring 13x2	98128000	-	1
13	connecting thread	97527000	-	1
14	set of non return valves DW 15	94074000	-	1
15	escutcheon Ø 59 mm	97507000	-	1
16	noise reduction	96429000	-	1
17	set of S-unions with nuts	96742000	-	1
18	O-ring 18x2,5	98139000	-	1