

design PAOLA NAVONE

2011

## BL42L Boll 42

Countertop basin 42 cm

• WITHOUT OVERFLOW • WITHOUT TAP LEDGE

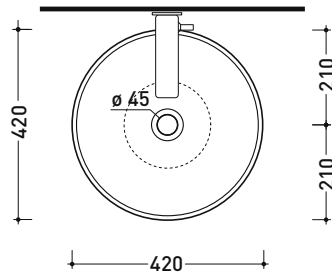
Complements: FORTY6 shelf (F6BL)  
 FILO 60 / 75 metal structure (FI60SV - FI75SC - DI75SC)  
 BOX wall hung vanity units depth 37 / 50 cm  
 CUBIKA wall hung vanity units depth 37 / 50 cm  
 DENVER furniture (DV103M)  
 Line taps basin: ONE - NOKÉ - SI - FOLD - X1  
 Line accessories: TWO - HOOP - NOKÉ - FOLD

Technical accessories: Chrome siphon (SIFL/CR) - Telescopic chrome siphon (SIFL066)  
 Stop & Go drain (PLSG)  
 CERAMIC Stop & Go drain (PLCE)  
 Chrome waste with automatic integrated overflow (PLTPCR)  
 Waste with automatic integrated overflow and ceramic cover (PLTPCE)  
 Two piece set chrome tap filters (RF026)

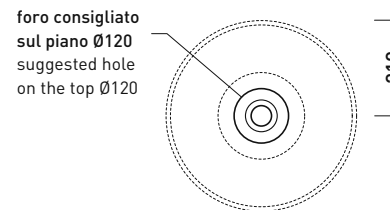
Package dim. 45 x 16,5 x 44 cm | Weight 7 kg | Pz. Pallet n° 24



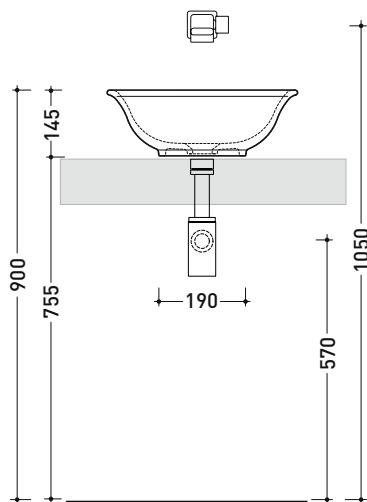
CE UNI EN 14688 - CL00 Dop-No14688



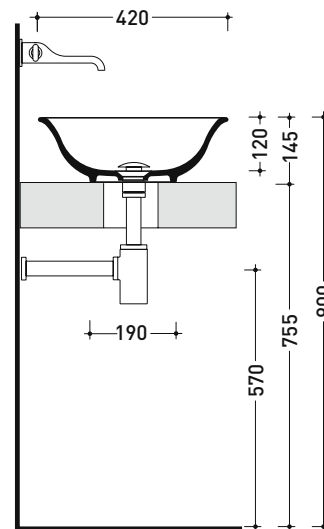
vista zenitale / zenital view



vista zenitale / zenital view



vista frontale / frontal view



sezione longitudinale / section

sizes in mm

CERAMIC: glossy finish



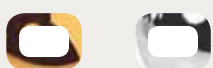
white black

matt finish



milky white carbone argilla nuvola fango rosso rubens petrolio

MEATL: glossy finish



white / gold white / platinum

Please consider a 2% tolerance on indicated measurements