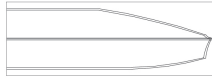




DETAIL: CUSHION SEQUOIA



DETAIL: CUSHION SEQUOIA 2.0

(Surcharge for cushion "SEQUOIA 2.0": see on the next page)



Legs options available for bench SEQUOIA and SEQUOIA 2.0 - same price

Mod. NATURA



Mod. D.T.



Mod. NEWTON



Mod. SKY-NATURA



Bench with seat made of solid wood in glued lists and legs in iron. The seat and the back are equipped with maxi cushions covered in leather or fabric with exposed stitching, in two different versions. Available both in linear and corner version.

SEQUOIA - SEQUOIA 2.0

STANDARD VERSION: NATURAL IRON BASE MODEL NATURA , OILED (B1)

ATTENTION: MODEL SEQUOIA 2.0 AVAILABLE IN LEATHER VERSION ONLY

FOR THE PRICING OF THE CORNER COMPOSITION PLEASE ADD THE PRICE OF EACH SINGLE MODULE RELATED TO THE TABLE SIZE AND THE SURCHARGE FOR THE CORNER

CODE	SIZE	LEATHER FABRIC	A1	A2	A3	A4
SEQUOIA 1	W.100/110 x D.62 x H.50/96	D1	■	■	■	■
		D2	■	■	■	■
		D3	■	■	■	■
		D4	■	■	■	■
		D6	■	■	■	■
SEQUOIA 2	W.200/220 x D.62 x H.50/96	D1	■	■	■	■
		D2	■	■	■	■
		D3	■	■	■	■
		D4	■	■	■	■
		D6	■	■	■	■
SEQUOIA 3	W.240/260 x D.62 x H.50/96	D1	■	■	■	■
		D2	■	■	■	■
		D3	■	■	■	■
		D4	■	■	■	■
		D6	■	■	■	■
SEQUOIA 4	W.280/300 x D.62 x H.50/96	D1	■	■	■	■
		D2	■	■	■	■
		D3	■	■	■	■
		D4	■	■	■	■
		D6	■	■	■	■

AVAILABLE FINISHES:

- A1:** walnut without knots, walnut with knots, elm
A2: oak without knots, oak with knots, cherry, maple
A3: oak without knots finish: whitened, mystic black, vintage, neutro
oak with knots finish: whitened, mystic black, vintage, neutro
A4: oak without knots pigmented: ash grey, white milk, total black
oak with knots pigmented: ash grey, white milk, total black
D1: fabric: canvas, divina melange 2, hallingdal 65, velvet harald
D2: fabric: maple
D3: leather: camoscio, cristal
D4: leather: nabuk, utah
D6: COL, COM

FEASIBILITY CORNER	A1	A2	A3	A4
ALL AVAILABLE FABRIC CATEGORIES	■	■	■	■
ALL AVAILABLE LEATHER CATEGORIES	■	■	■	■

AVAILABLE FINISHES:

- A1:** walnut without knots, walnut with knots, elm
A2: oak without knots, oak with knots, cherry, maple
A3: oak without knots finish: whitened, mystic black, vintage, neutro
oak with knots finish: whitened, mystic black, vintage, neutro
A4: oak without knots pigmented: ash grey, white milk, total black
oak with knots pigmented: ash grey, white milk, total black

SEQUOIA - SEQUOIA 2.0

FEASIBILITY LACQUERED IRON BASE	
B2	■
B3	■

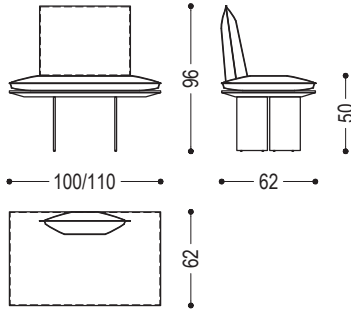
FEASIBILITY CUSHION MOD. 2.0	
SEQUOIA 1	■
SEQUOIA 2	■
SEQUOIA 3	■
SEQUOIA 4	■

AVAILABLE FINISHES:

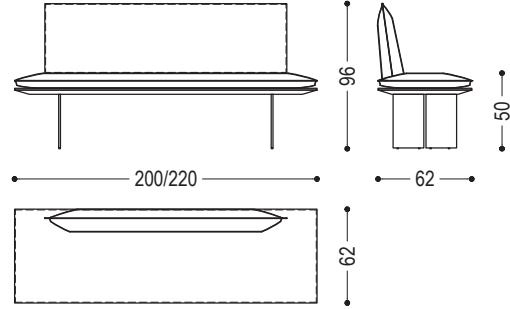
B2: lacquered iron: matt transparent, iron dust, RAL (only selected colours)

B3: lacquered iron matt brushed effect: aged copper, aged bronze, stainless steel, titanium
lacquered iron oxidised effect

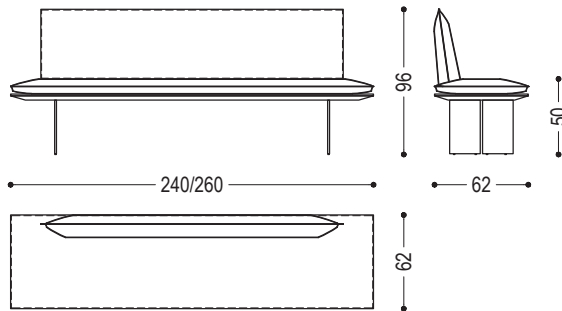
SEQUOIA 1



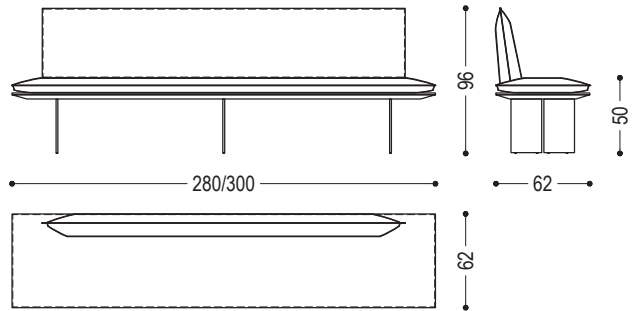
SEQUOIA 2



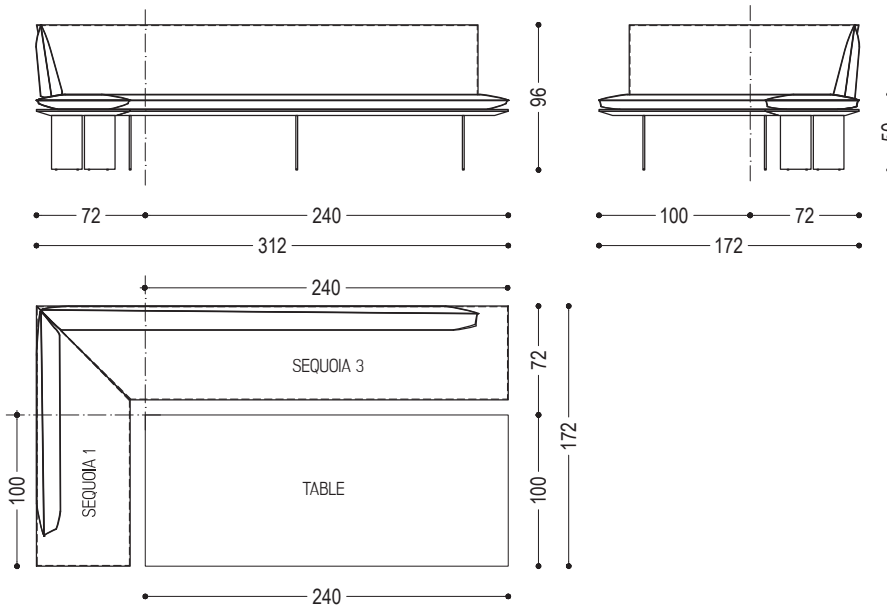
SEQUOIA 3



SEQUOIA 4



CORNER (COMPOSITON EXAMPLE)



SEQUOIA - SEQUOIA 2.0 | AVAILABLE FINISHES

WOOD

A1



walnut without knots



walnut with knots



elm

A2



oak without knots



oak with knots



cherry



maple

A3



oak without knots finish:
whitened



oak without knots finish:
mystic black



oak without knots finish:
vintage



oak without knots finish:
neutro



oak with knots finish:
whitened



oak with knots finish:
mystic black



oak with knots finish:
vintage



oak with knots finish:
neutro

A4



oak without knots pigmented:
ash grey



oak without knots pigmented:
white milk



oak without knots pigmented:
total black



oak with knots pigmented:
ash grey

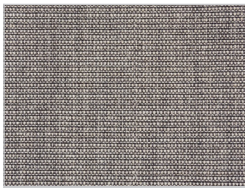


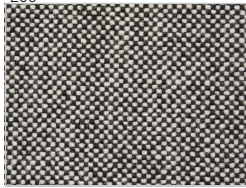


oak with knots pigmented:
white milk



oak with knots pigmented:
total black

LEATHER / FABRIC

D1					
	<p>fabric: canvas: 114</p> 	<p>fabric: canvas: 124</p> 	<p>fabric: canvas: 134</p> 	<p>fabric: canvas: 154</p> 	<p>fabric: canvas: 174</p> 
	<p>fabric: divina melange 2: 120</p> 	<p>fabric: divina melange 2: 170</p> 	<p>fabric: divina melange 2: 180</p> 	<p>fabric: divina melange 2: 220</p> 	<p>fabric: divina melange 2: 260</p> 
	<p>fabric: divina melange 2: 280</p> 	<p>fabric: hallingdal 65: 103</p> 	<p>fabric: hallingdal 65: 116</p> 	<p>fabric: hallingdal 65: 130</p> 	<p>fabric: hallingdal 65: 166</p> 
	<p>fabric: hallingdal 65: 180</p> 	<p>velvet fabric: harald: 242</p> 	<p>velvet fabric: harald: 283</p> 	<p>velvet fabric: harald: 443</p> 	<p>velvet fabric: harald: 512</p> 
	<p>velvet fabric: harald: 182</p> 	<p>velvet fabric: harald: 242</p> 	<p>velvet fabric: harald: 283</p> 	<p>velvet fabric: harald: 443</p> 	
	<p>velvet fabric: harald: 552</p> 	<p>velvet fabric: harald: 582</p> 	<p>velvet fabric: harald: 792</p> 	<p>velvet fabric: harald: 982</p> 	

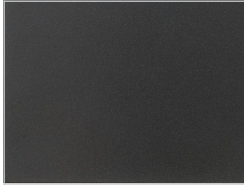
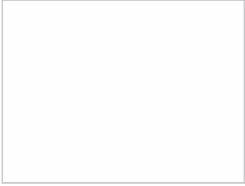


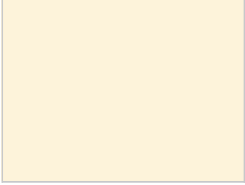

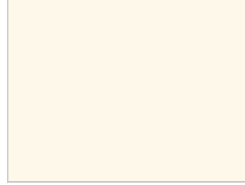
SEQUOIA - SEQUOIA 2.0 | AVAILABLE FINISHES

D2					
	<p>fabric: maple: 112</p>	<p>fabric: maple: 132</p>	<p>fabric: maple: 142</p>	<p>fabric: maple: 162</p>	<p>fabric: maple: 192</p>
					
	<p>fabric: maple: 222</p>	<p>fabric: maple: 232</p>	<p>fabric: maple: 362</p>	<p>fabric: maple: 742</p>	<p>fabric: maple: 792</p>
D3					
	<p>Leather camoscio: 1</p>	<p>Leather camoscio: 10</p>	<p>Leather camoscio: 11</p>	<p>Leather camoscio: 26</p>	<p>Leather camoscio: 27</p>
					
	<p>Leather camoscio: 28</p>	<p>Leather camoscio: 31</p>			
					
	<p>Leather cristal: 13</p>	<p>Leather cristal: 14</p>	<p>Leather cristal: 17</p>	<p>Leather cristal: 18</p>	<p>Leather cristal: 37</p>
					
	<p>Leather cristal: 49</p>	<p>Leather cristal: 51</p>	<p>Leather cristal: 65</p>	<p>Leather cristal: 70</p>	

SEQUOIA - SEQUOIA 2.0 | AVAILABLE FINISHES

D4					
	Leather nabuk: 101	Leather nabuk: 102	Leather nabuk: 103	Leather nabuk: 104	Leather nabuk: 105
					
	Leather nabuk: 106	Leather nabuk: 107	Leather nabuk: 108	Leather nabuk: 109	
					
	Leather utah: 101	Leather utah: 102	Leather utah: 103	Leather utah: 104	Leather utah: 105
					
	Leather utah: 106	Leather utah: 107	Leather utah: 108		

IRON

B2					
	lacquered iron: matt transparent	lacquered iron: iron dust			
					
	ferro laccato: RAL - 1013_OYSTER WHITE	ferro laccato: RAL - 3020_TRAFFIC RED	ferro laccato: RAL - 7035_LIGHT GREY	ferro laccato: RAL - 7037_DUSTY GREY	ferro laccato: RAL - 8019_GREY BROWN
					
	ferro laccato: RAL - 9001_CREAM WHITE	ferro laccato: RAL - 9002_GREY WHITE	ferro laccato: RAL - 9005_JET BLACK	ferro laccato: RAL - 9010_PURE WHITE	ferro laccato: RAL - 9016_TRAFFIC WHITE

SEQUOIA - SEQUOIA 2.0 | AVAILABLE FINISHES

B3



lacquered iron, matt brushed effect:
aged copper



lacquered iron, matt brushed effect:
aged bronze



lacquered iron, matt brushed effect:
stainless steel



lacquered iron, matt brushed effect:
titanium



lacquered iron, oxidised effect