

Soleide

SMALL TABLES

2024

Antonio Citterio



Description

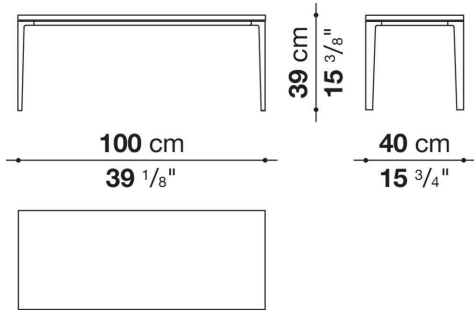
Soleide is a collection of small tables and consoles, in different sizes, with a die-cast aluminium base and a top in hammered mirror steel that gives them a particularly original and precious effect.

Technical information

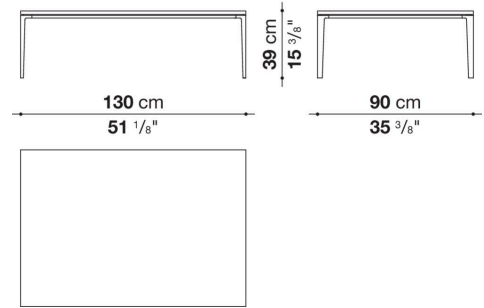
Top
stainless steel sheet on a MDF wood fibre support
Support frame
die-cast aluminium and extrusions with metal supports
Ferrules
plastic material

Technical drawings

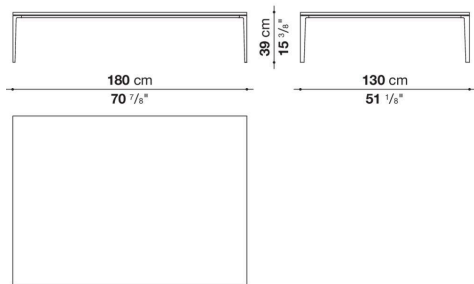
TSL100_4



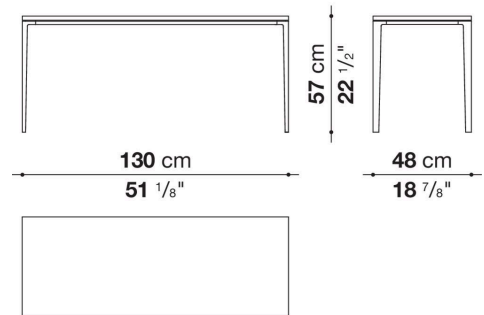
TSL130_9



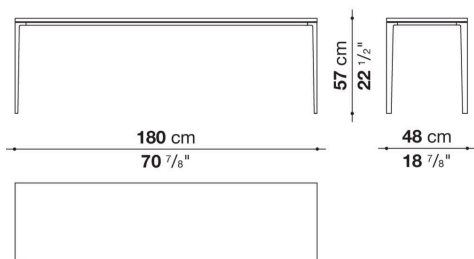
TSL180_13



CSL130_4



CSL180_4



CSL240_4

