

Talamo

BEDS

2007

Antonio Citterio



Description

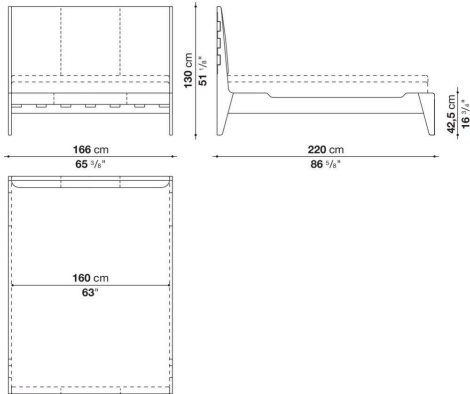
A double bed with a clean line and perfect proportions, Talamo combines luxury materials with a refined interplay of details, such as the combination of leather bands on the cover with the unusual shape of the wood frame, available in different finishes.

Technical information

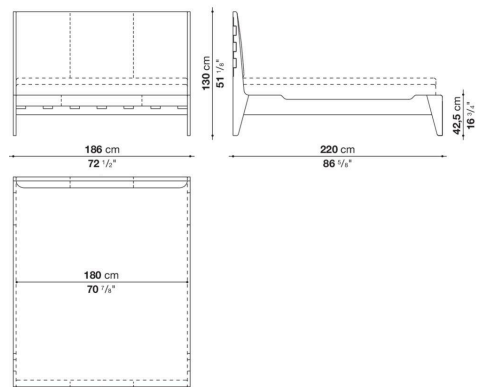
Frame
solid wood, veneered multi-layered wood panel
Headboard internal frame
multi-layered wood panel
Headboard internal frame upholstery
shaped polyurethane
Slatted base
tubular steel and wood multi-layered slats
Ferrules
plastic material
Cover
leather

Technical drawings

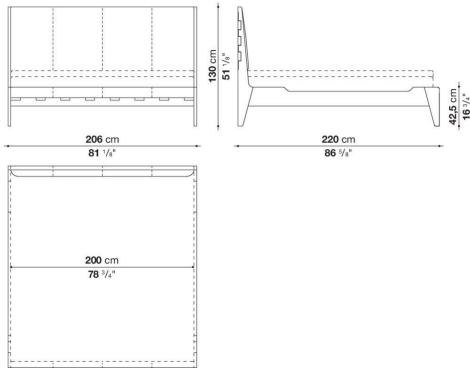
ACL2



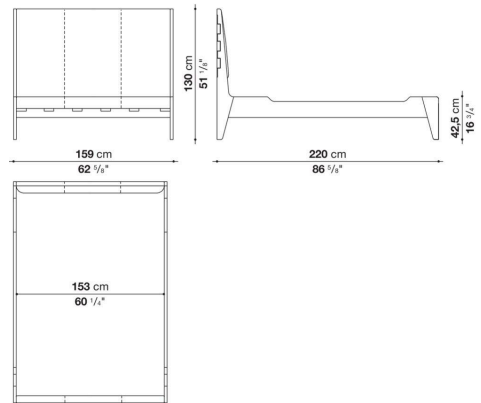
ACL4



ACL5



ACLQ



ACLK

