
Hollow

SOFAS

Patricia Urquiola



Description

This project is the result of a group of modular panels of different sizes, which can be assembled through hinges to act as back and armrest and hold a soft seats. Blocked and supported by the legs, the entirely upholstered and lined panels display a concave plastic surface on the outside, which visually moves the elements and enhances their effect of lightness. The types originated from this system include an armchair and a small two-seats sofa in two different sizes and a small three-seats sofa in two different sizes.

Technical information

Internal frame:

tubular steel and steel profiles

Internal frame upholstery:

Bayfit® (Bayer®) flexible cold shaped polyurethane foam, polyester fibre cover

Armrests and backs cover (HO136-HO154-HO202-HO230):

chalk white or black plastic material shell

Armrests and backs cover (HO136P-HO154P-HO202P-HO230P):

chalk white, black plastic material and leather shell

Feet and joints:

bright chromed, chalk white, black or bordeaux matt painted steel

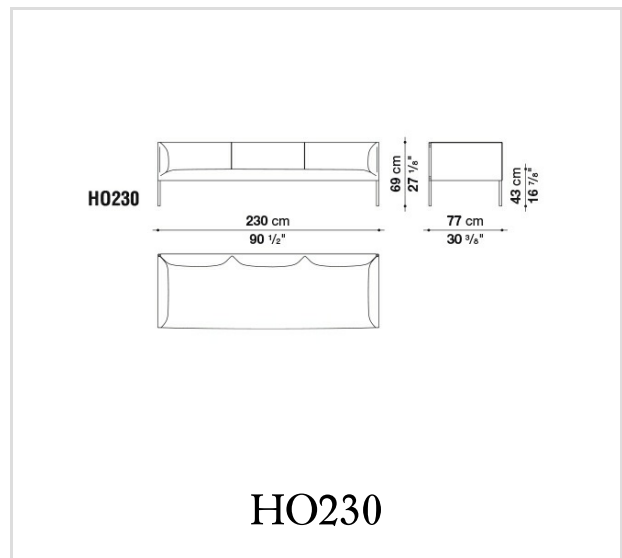
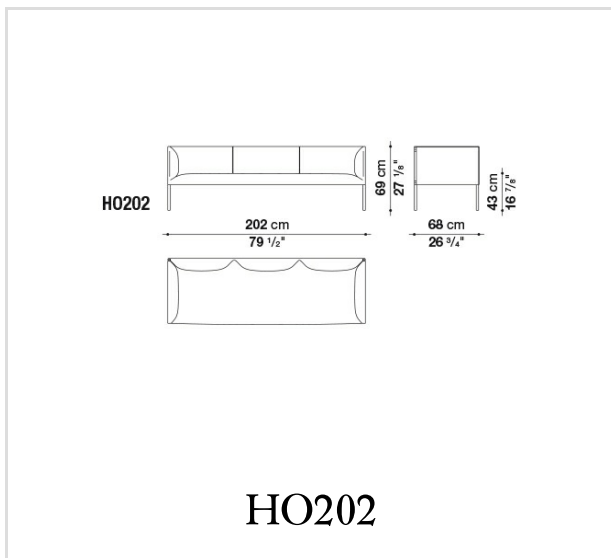
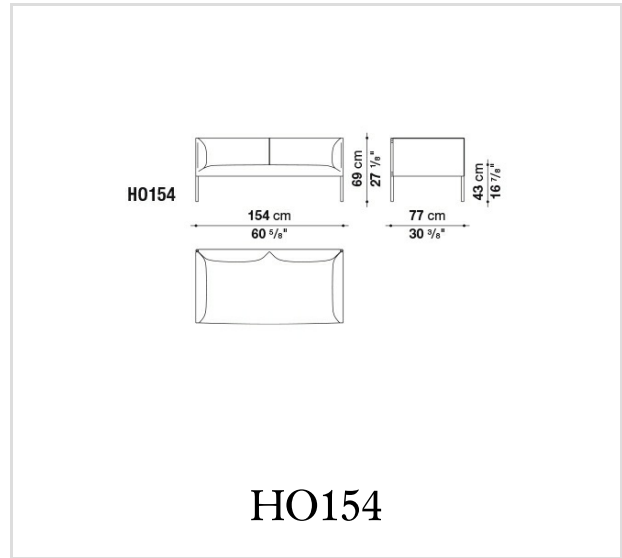
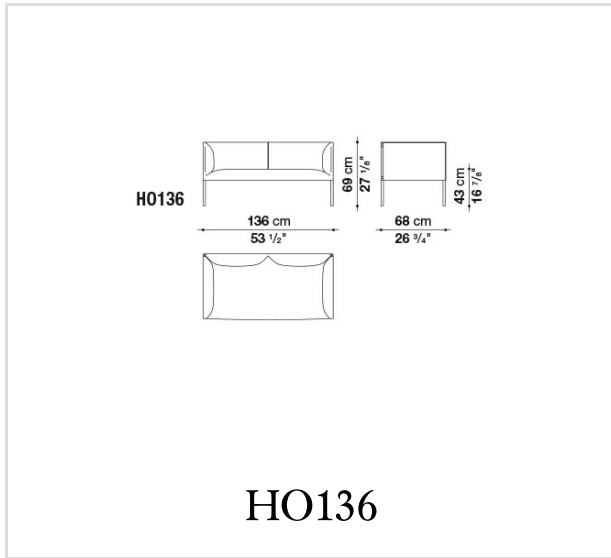
Ferrules:

thermoplastic material

Cover:

fabric or leather in limited categories

Technical drawings



B&B Italia reserves the right to make technological and aesthetic improvements to its models, including changes to the sizes and materials, without notice. The technical drawings do not define the details of the product. The measurements shown are indicative and may undergo changes. In particular, the dimensions relevant to the padded parts are subject to usage tolerances over time caused by the normal adjustment of the padding. For the specific information, please contact the dealer closest to you.