

ZIRKOL CIRCLE WALL

Suitable for indirect and decorative lighting, Zirkol Wall is the new piece of the collection, with circular shape and wall fixing. Available with black finish and three different LED colour temperatures: 2700K, 3000K or 4000K. The length of the included rods allow the creation of different compositions with several lamps, for personalized ambient lighting.



Ø 1M | 2700K

LAMPING

Source	linear LED
Total power	45W
Emission	indirect diffused
Switching	DALI 1-100%
Tension	220/240V
Color temperature	2700K
Luminous flux	2616lm
Typ CRI	90
IP class	20
Dimensions	ø100x5cm
Materials	aluminium
Notes	remote driver RAL 9005black shipped assembled. 1 x driver WALIM60W24VIN 1 x dimmer interface WDIMDALIHP 3 x tige 5 cm 3 x tige 16 cm
Net lamp weight	4 kg

Codes

BZRC4210G15DNE

Structure

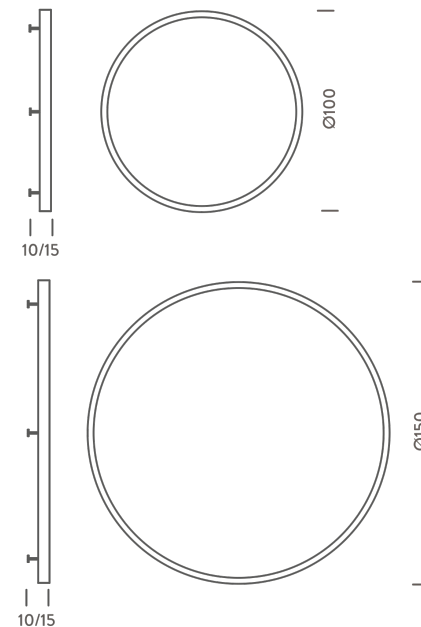
black

PACKAGE

Package 01

Dimension: 110x110x15 cm / Gross weight: 6,5 kg

Certificazioni



Ø 1M | 3000K

LAMPING

Source	linear LED
Total power	45W
Emission	indirect diffused
Switching	DALI 1-100%
Tension	220/240V
Color temperature	3000K
Luminous flux	2769lm
Typ CRI	90
IP class	20
Dimensions	ø100x5cm
Materials	aluminium
Notes	remote driver RAL 9005black shipped assembled. 1 x driver WALIM60W24VIN 1 x dimmer interface WDIMDALIHP 3 x tige 5 cm 3 x tige 16 cm
Net lamp weight	4 kg

Codes

BZRC4210G15WNE

Structure

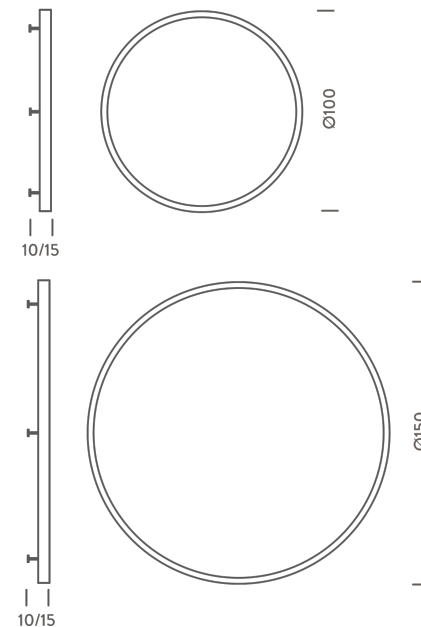
black

PACKAGE

Package 01

Dimension: 110x110x15 cm / Gross weight: 6,5 kg

Certificazioni



Ø 1M | 4000K

LAMPING

Source	linear LED
Total power	45W
Emission	indirect diffused
Switching	DALI 1-100%
Tension	220/240V
Color temperature	4000K
Luminous flux	3077lm
Typ CRI	90
IP class	20
Dimensions	ø100x5cm
Materials	aluminum
Notes	remote driver RAL 9005black shipped assembled. 1 x driver WALIM60W24VIN 1 x dimmer interface WDIMDALIHP 3 x tige 5 cm 3 x tige 16 cm
Net lamp weight	4 kg

Codes

BZRC4210G15NNE

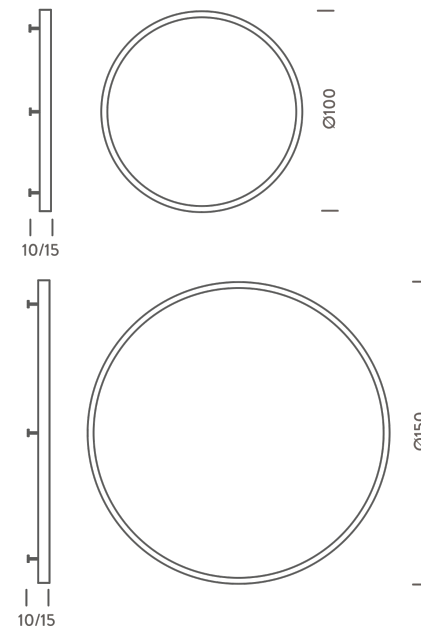
Structure

black

PACKAGE

Package 01 Dimension: 110x110x15 cm / Gross weight: 6,5 kg

Certificazioni



Ø 1,5M | 2700K

LAMPING

Source	linear LED
Total power	68W
Emission	indirect diffused
Switching	DALI 1-100%
Tension	220/240V
Color temperature	2700K
Luminous flux	3923lm
Typ CRI	90
IP class	20
Dimensions	ø150x5cm
Materials	aluminum
Notes	remote driver RAL 9005 black shipped assembled. 1 x driver WALIM150W24VIN 1 x dimmer interface WDIMDALIHP 3 x tige 5 cm 3 x tige 16 cm

Net lamp weight

4 kg

Codes

BZRC4215G15DNE

Structure

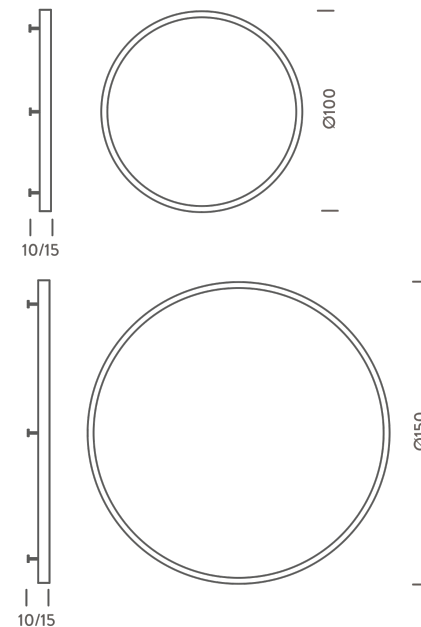
black

PACKAGE

Package 01

Dimension: 160x160x15 cm / Gross weight: 6,5 kg

Certificazioni



Ø 1,5M | 3000K

LAMPING

Source	linear LED
Total power	68W
Emission	indirect diffused
Switching	DALI 1-100%
Tension	220/240V
Color temperature	3000K
Luminous flux	4154lm
Typ CRI	90
IP class	20
Dimensions	ø150x5cm
Materials	aluminum
Notes	remote driver RAL 9005 black shipped assembled. 1 x driver WALIM150W24VIN 1 x dimmer interface WDIMDALIHP 3 x tige 5 cm 3 x tige 16 cm

Net lamp weight

4 kg

Codes

BZRC4215G15WNE

Structure

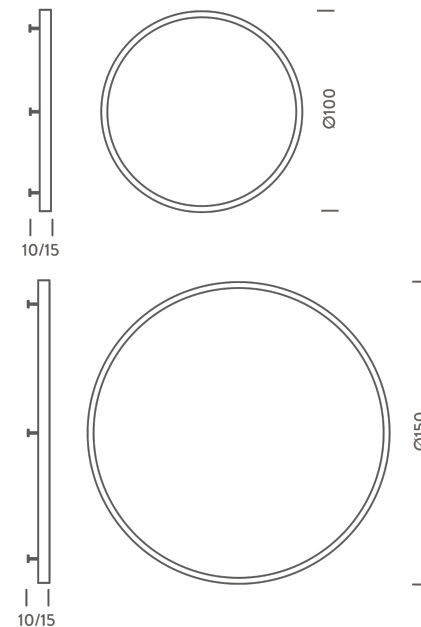
black

PACKAGE

Package 01

Dimension: 160x160x15 cm / Gross weight: 6,5 kg

Certificazioni



Ø 1,5M | 4000K

LAMPING

Source	linear LED
Total power	68W
Emission	indirect diffused
Switching	DALI 1-100%
Tension	220/240V
Color temperature	4000K
Luminous flux	4616lm
Typ CRI	90
IP class	20
Dimensions	ø150x5cm
Materials	aluminum
Notes	remote driver RAL 9005 black shipped assembled. 1 x driver WALIM150W24VIN 1 x dimmer interface WDIMDALIHP 3 x tige 5 cm 3 x tige 16 cm
Net lamp weight	4 kg

Codes

BZRC4215G15NNE

Structure

black

PACKAGE

Package 01

Dimension: 160x160x15 cm / Gross weight: 6,5 kg

Certificazioni

