

Gio

SMALL TABLES

2016

Antonio Citterio



Description

Rectangular and available in four sizes, the Gio small tables for outdoor use feature a contemporary classic soul. The frame and slatted tops are in solid natural teakwood or in a special antique grey finish, which grants the wood a particular lived-in look with silver grey reflections.

Technical information

Frame and top

solid wood

Ferrules

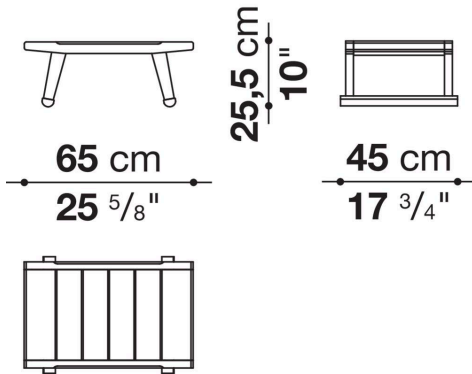
thermoplastic material

Waterproof cover cloth

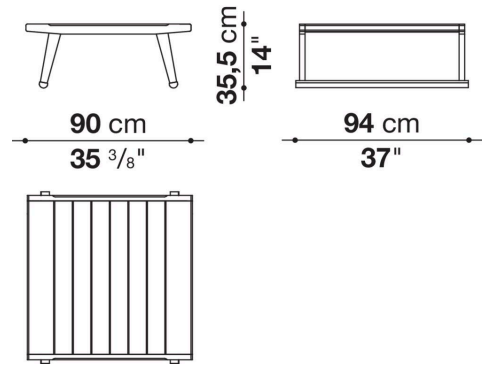
PES fabric coated on one side in

Technical drawings

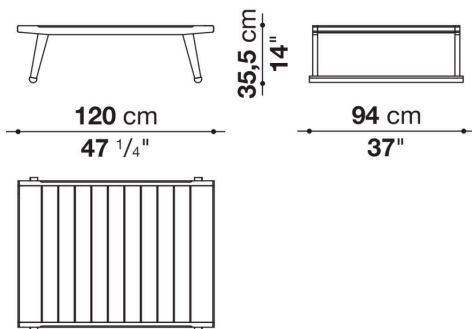
TGO6



TGO9



TGO12



TGO18

