

## AXOR Starck

### Porter unit 120/120 with baton hand shower 2jet and shower hose

Surfaces: **Chrome** Article Number: **12626000**



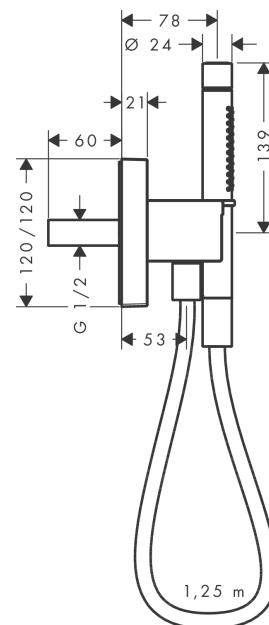
#### product features

- consists of: porter unit, baton hand shower, shower holder, shower hose
- shower head size: 68 x 24 mm
- integrated support function
- spray type: Rain, Mono
- maximum flow rate at 3 bar: 16,2 l/min
- minimum flow pressure: 1 bar
- for shower hoses with conical or cylindrical nut on both sides
- with non-return valve
- rinseable screen seal
- in a joined installation (10 mm distance), the basic set no.28486180 must be used
- in a joined installation (10 mm distance) we recommend for perfect handling only the horizontal installation
- in a freely-arranged installation (distance greater than 10 mm), no basic set is required

#### Product image



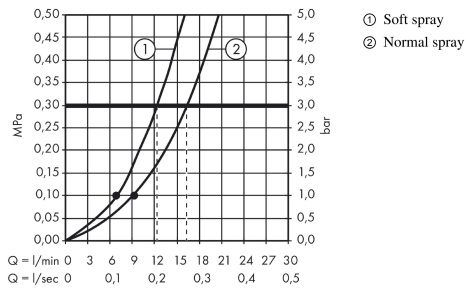
#### Scale drawing



**AXOR Starck**  
**Porter unit 120/120 with baton hand shower 2jet and shower hose**  
 Surfaces: **Chrome** Article Number: **12626000**



## Flowchart



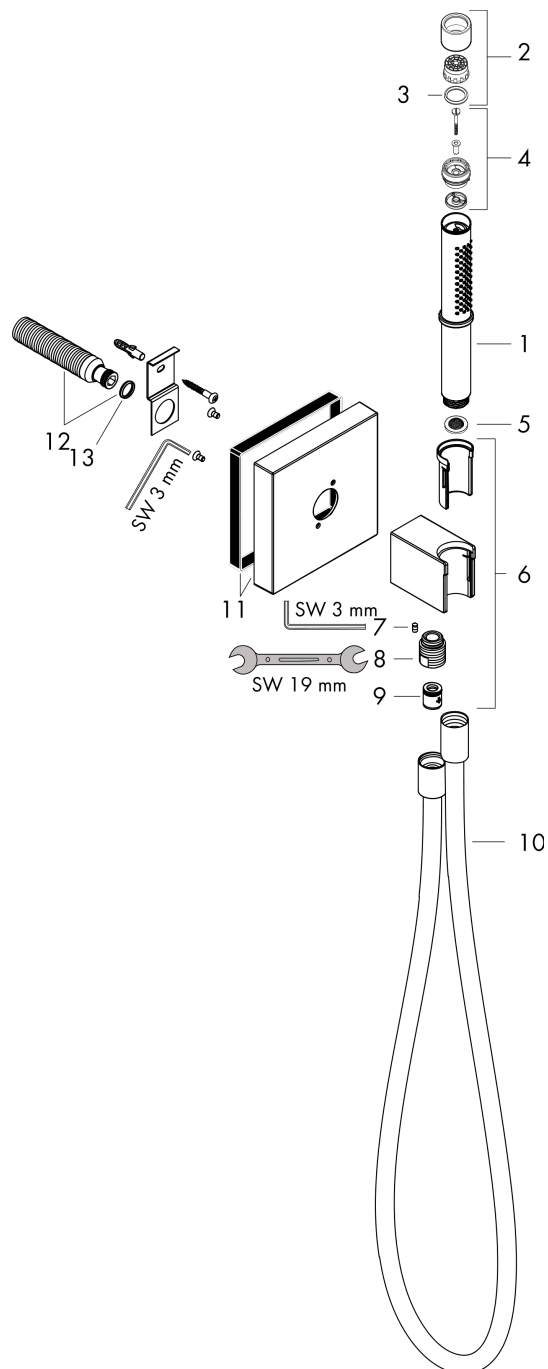
The consumption was measured in combination with the appropriate fittings (thermostat/mixer/in-wall valve) to reflect actual application in practice.

**AXOR Starck**  
**Porter unit 120/120 with baton hand shower 2jet and shower hose**  
 Surfaces: **Chrome** Article Number: **12626000**



## Exploded Drawing

Year of production: >11/12



**AXOR Starck**  
**Porter unit 120/120 with baton hand shower 2jet and shower hose**  
 Surfaces: **Chrome** Article Number: **12626000**



## Spare part list

Year of production: >11/12

| Pos. |                                | Article Number | Price | PU |
|------|--------------------------------|----------------|-------|----|
| 1    | handshower                     | 95390000       | -     | 1  |
| 2    | spray former                   | 95411000       | -     | 1  |
| 3    | O-Ring 14x2,5                  | 98189000       | -     | 1  |
| 4    | selector assy                  | 95511000       | -     | 1  |
| 5    | filter packing                 | 94246000       | -     | 1  |
| 6    | shower holder, assy            | 98358000       | -     | 1  |
| 7    | hollow set screw M4x16         | 97663000       | -     | 1  |
| 8    | Hose Connection                | 96044000       | -     | 1  |
| 9    | set of non return valves DW 15 | 94074000       | -     | 1  |
| 10   | shower hose 1,25 m             | 28282000       | -     | 1  |
| 11   | escutcheon                     | 98359000       | -     | 1  |
| 12   | connecting thread G½           | 98933000       | -     | 1  |
| 13   | O-ring 11x2                    | 98127000       | -     | 1  |
| a    | concealed item                 | 28486180       | -     | 1  |
| b    | flow-restrictor-set            | 92019000       | -     | 1  |