

## LIVING PLATFORM. Design: EOOS.

---



An innovative functional sofa that gains full marks for design. A comfortable reclining area is created by simply folding up the armrest and positioning the back cushion against it. And by pulling the seat forward a very respectable visitor's bed is produced.

### Product description

---

#### Design awards



reddot design award

#### Sofa

##### Modell no.

400

##### Frame

Steel construction, satin chrome, highly polished chrome-plated or black chrome (for surcharge). Seat deck in beech with zigzag springs.

##### Upholstery

Fixed seat cushions, cold cure foam sandwich construction with an outer layer of wadding. Loose back cushions. Ticking sewn into chambers with foam rod/down filling.

##### Armrest and headrest

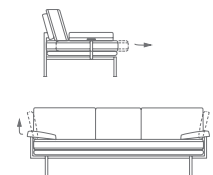
Armrest: steel construction, satin chrome, highly polished chrome-plated or black chrome (for surcharge) with an outer layer of wadding.  
Headrest: satin chrome.

##### Glides

Glides with metal glide surface for carpet floors, synthetic glides for stone and wooden floors.

##### Functions

Seat depth can be adjusted by 12 cm (=lying area 85 cm deep).  
Armrests fold up;  
FLFR = functional armrest left and right.

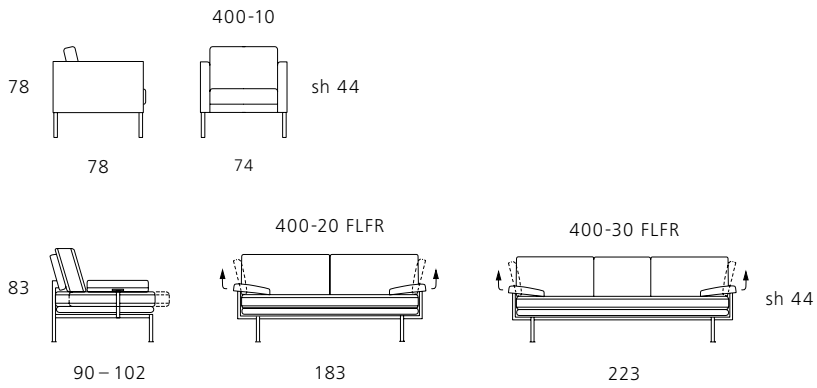


## LIVING PLATFORM.

---

### Technical drawings and dimensions

---



Alle Maßangaben in cm. *All dimensions in cm.*