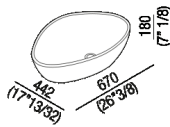




Over countertop washbasin with waste  
 ACER1098L\_






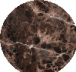
Benedini Associati, 2014

Over countertop washbasin in Cristalplant®  
 biobased or marble.



Shaped over countertop washbasin in white Cristalplant® biobased or in white Carrara marble, grey carnic marble or black Marquina marble, green Alpi marble or Emperador dark marble; without tap hole and overflow. Waste included with cap flush with the washbasin's inner surface, in the same finish like the washbasin.

**Finishes**

-  White
-  White Carrara
-  Grey Carnico
-  Black Marquina
-  Green Alpi
-  Dark Emperador

**Materials**

-  Cristalplant® biobased
-  Marble

Height:	18 cm	7" 1/8 inches
Width:	67 cm	26" 3/8 inches
Weight:	12 kg	26 lbs
Depth:	44.2 cm	17" 13/32 inches
Packaging:	73 x 50 x 30 cm	28" 47/64 x 9" 11/16 x 11" 13/16 inches
Total weight:	14 kg	31 lbs

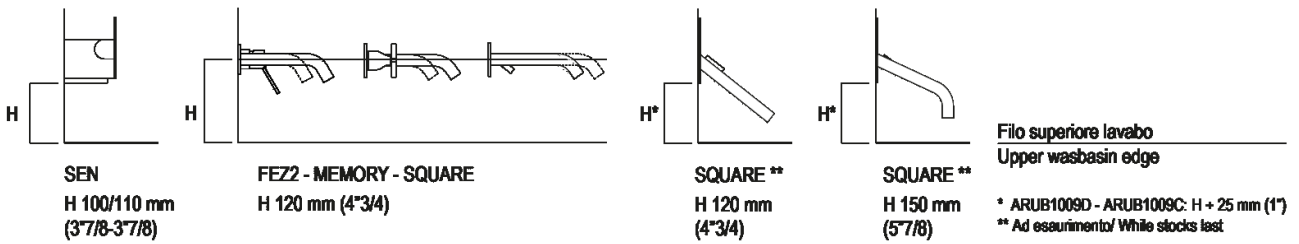
Note: The washbasin is also available in stone or marble types on demand. Price to be calculated. The above measurements refer to the Cristalplant® biobased version, for the marble version the measurements are: Weight: 35 lbsPackaging: 28" 47/64 x 9" 11/16 x 11" 13/16Gross weight: 35 lbs



Tap position, recommended height

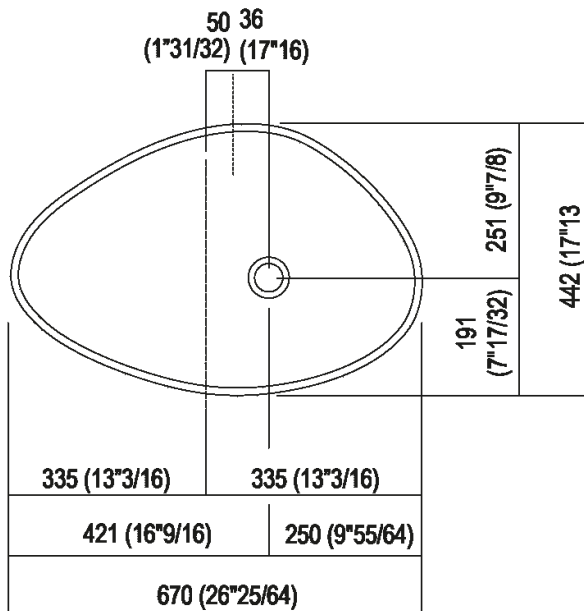
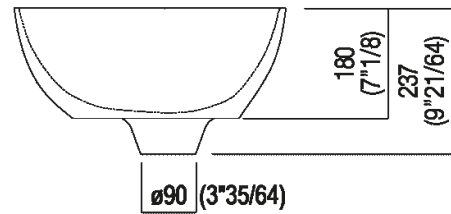
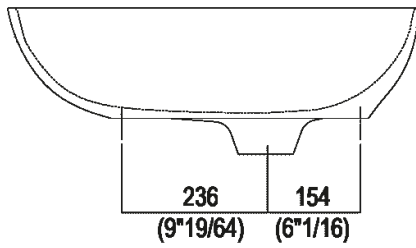
**POSIZIONE RUBINETTERIA / TAP POSITION**

Altezza consigliata / Recommended height



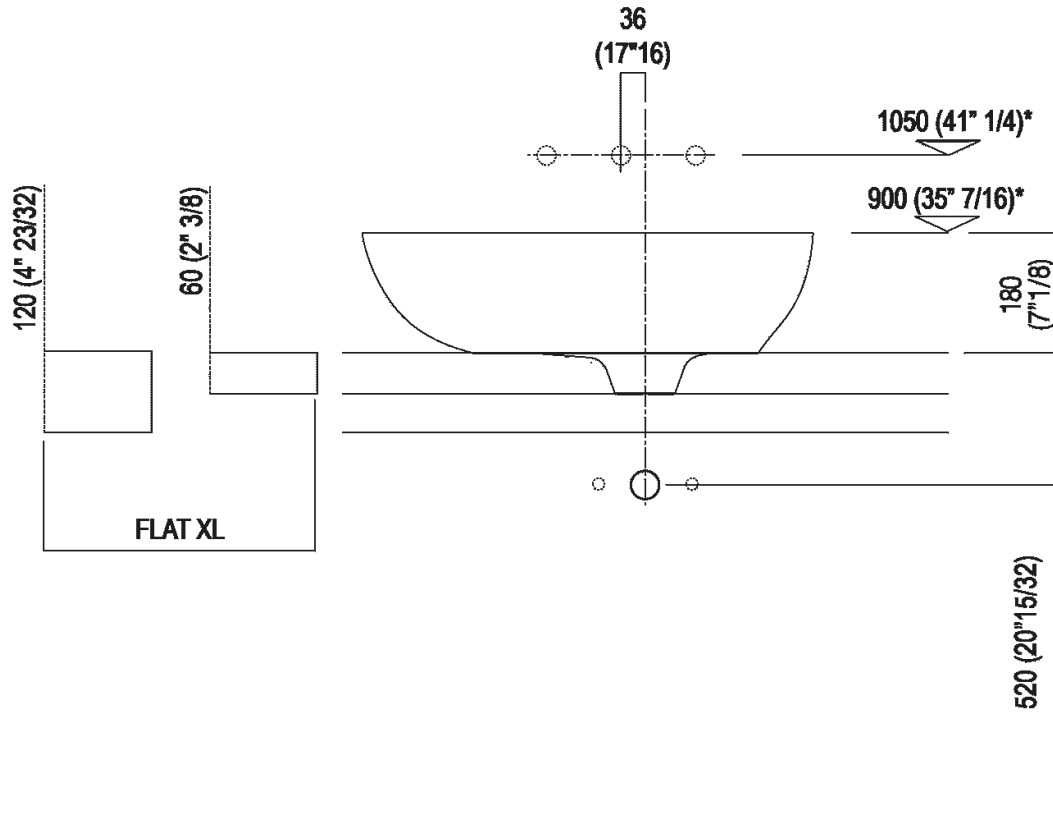


**Main dimensions**





Installation notes: on self-bearing countertop

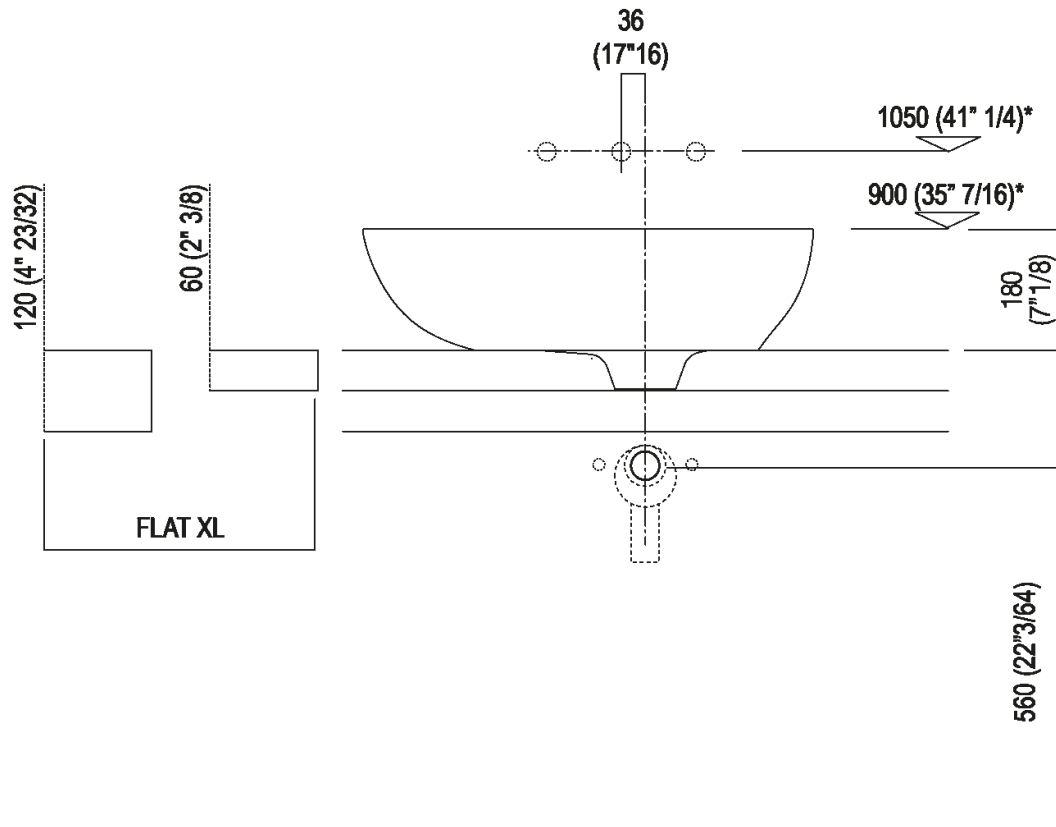


**Scarico per sifone a bottiglia**  
**Drain for bottle trap**

\*h.consigliata / advised h.



Installation notes: on self-bearing countertop

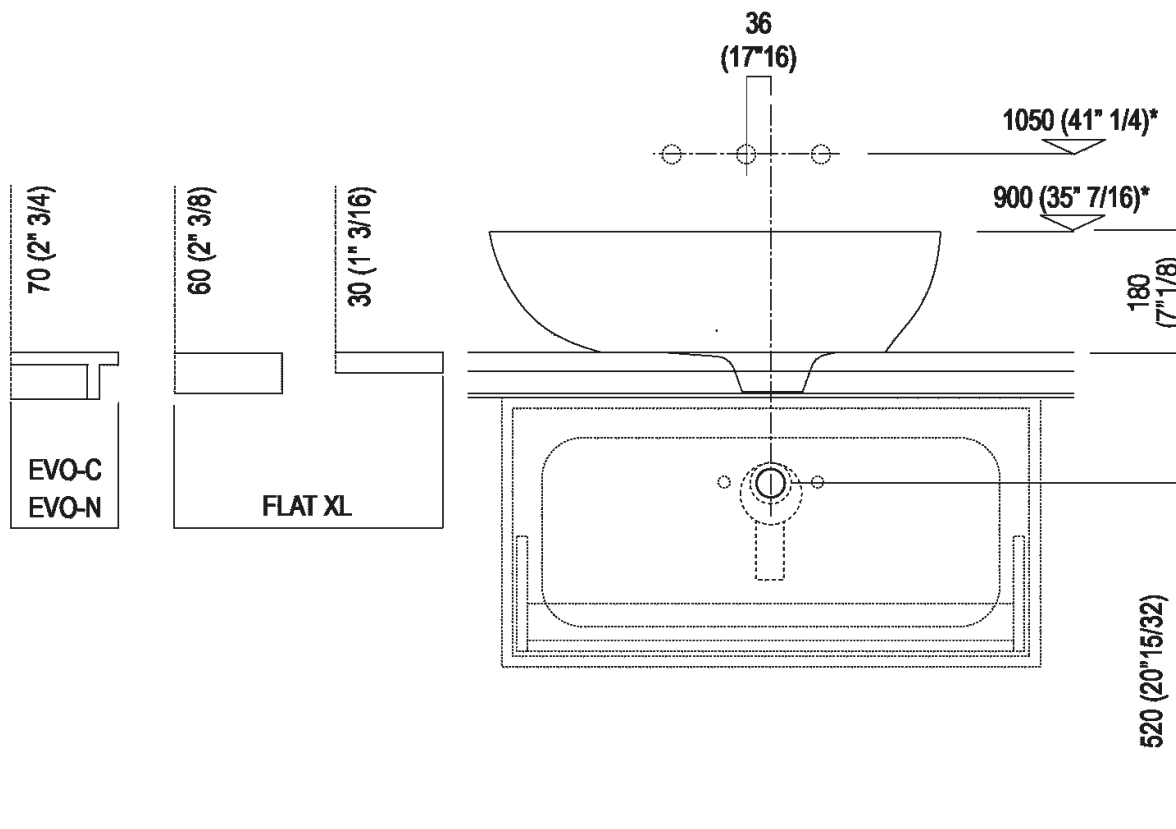


Scarico per sifone ad incasso  
 Drain for concealed waste trap

\*h.consigliata / advised h.



Installation notes: on countertop to be resede on cabinets

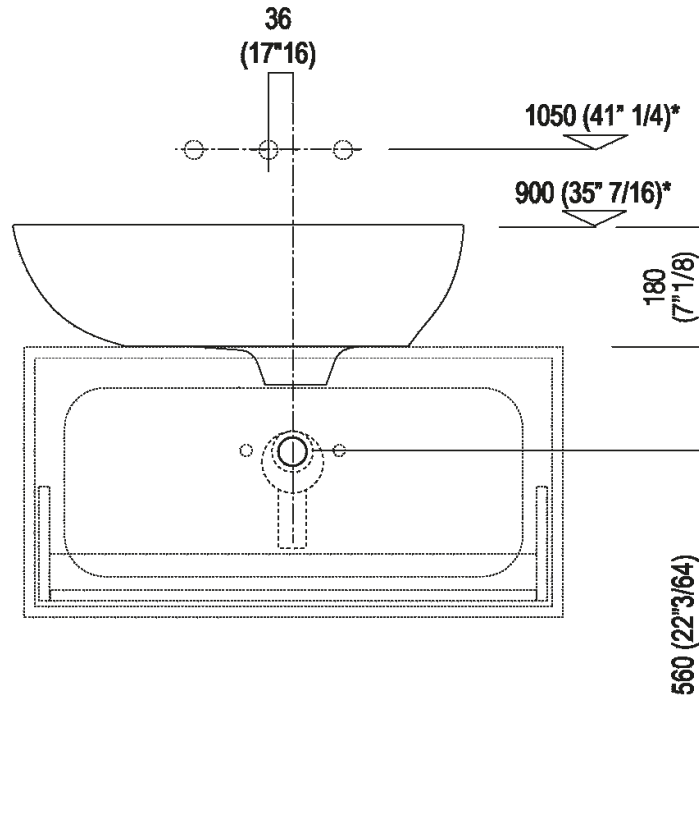


**Scarico per sifone a bottiglia e ad incasso**  
**Drain for bottle trap and concealed waste trap**

\*h.consigliata / advised h.



Installation notes: on casing H 40 cm Lato

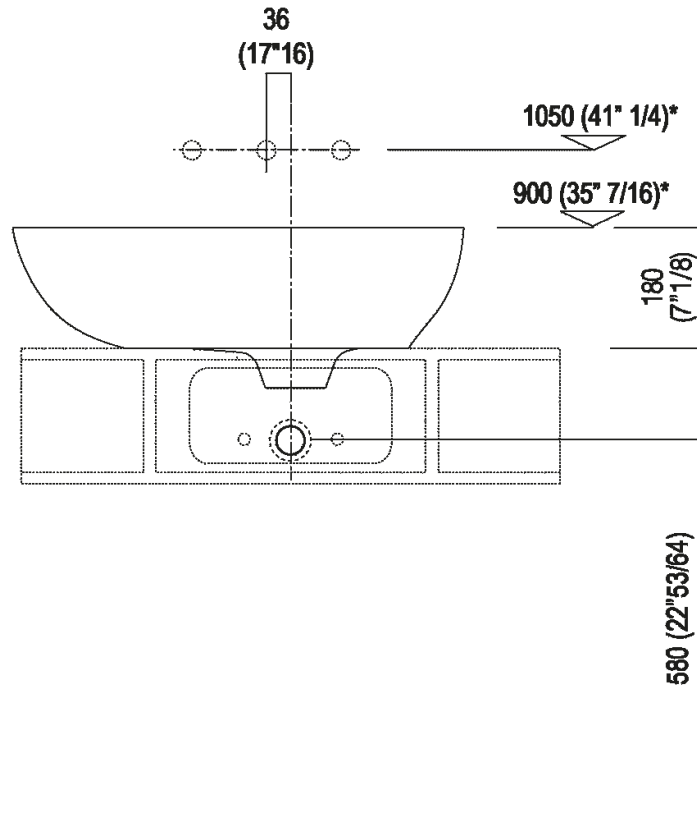


**Scarico per sifone a bottiglia o ad incasso**  
**Drain for bottle trap or concealed waste trap**

\*h.consigliata / advised h.



Installation notes: on casing H 20 cm Lato



**Scarico per sifone a bottiglia**  
**Drain for bottle trap**

\*h.consigliata / advised h.

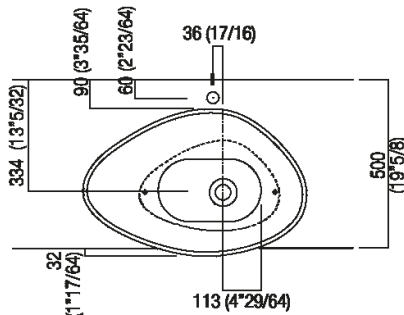




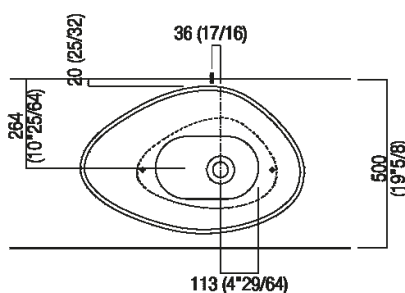
Holes for countertop washbasins and top mounted taps for top

**PIANO cm 50 / COUNTERTOP cm 50**

**Posizione standard per rubinetto su piano**  
**Standard position for top mounted tap**



**Posizione standard per rubinetto a parete**  
**Standard position for wall mounted tap**



**Posizione speciale per rubinetto Sen a parete e Square con bocca curva**  
**Special position for wall mounted tap Sen and Square white curved spout**

**NON NECESSARIA**  
**NOT NECESSARY**