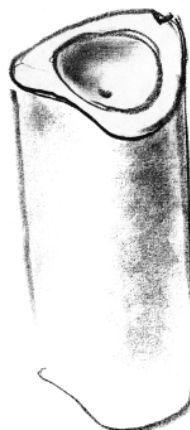
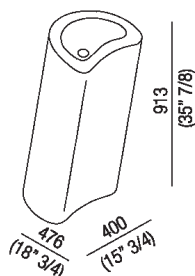




Independent washbasin without tap hole
ACER0732

Angelo Mangiarotti, 2003

Washbasin in white Carrara marble:
functionality and sculpural lines for a timeless
icon.



Finishes



White Carrara

Materials



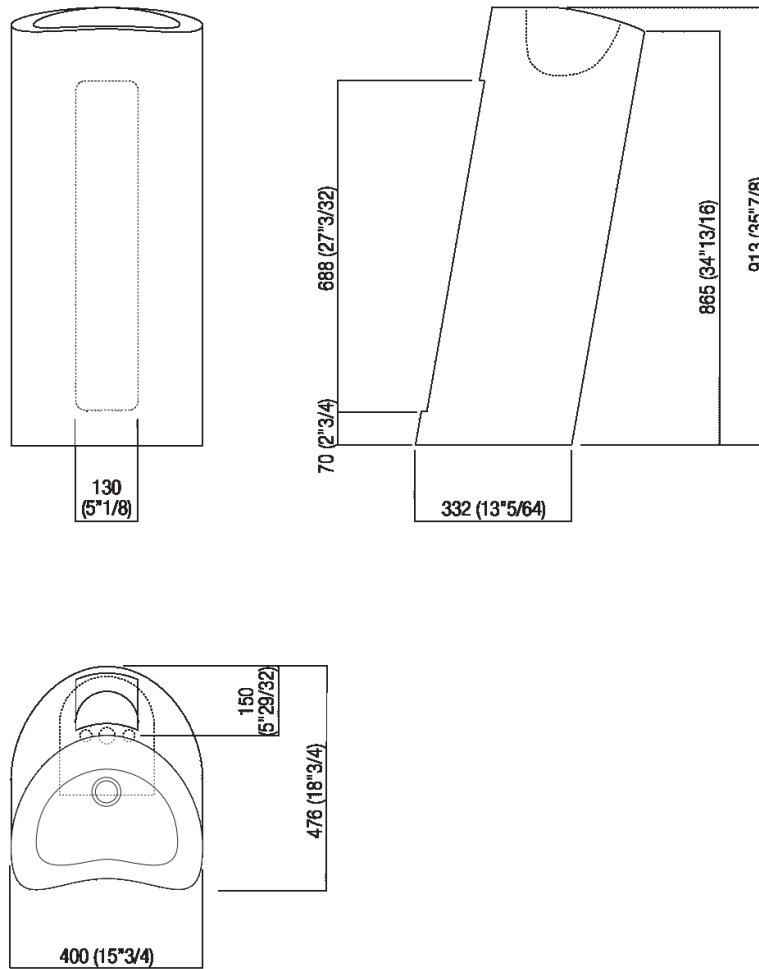
Marble

Floor standing washbasin carved in white Carrara marble, available with or without tap hole, without overflow. Compulsory floor fixing kit must be ordered separately. It is possible to order the fixing kit in advance to allow fixing under finished floor surface. Designed to take waste .MET0563. It must be fitted with a bottle trap. It is possible to connect it to the drain through the floor (requires AKIT0811).

Height:	91.3 cm	35" 7/8 inches
Width:	40 cm	15" 3/4 inches
Weight:	153 kg	337 lbs
Depth:	47.6 cm	18" 3/4 inches
Packaging:	56 x 57 x 110 cm	22" x 22" 4/8 x 43" 2/8 inches
Total weight:	190 kg	419 lbs

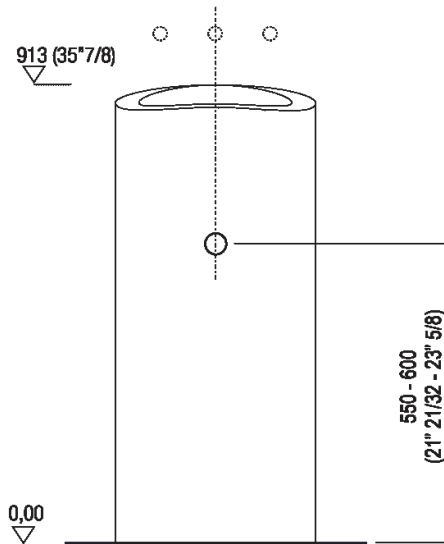


Main dimensions

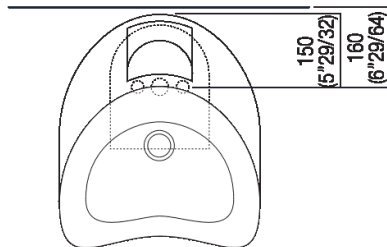




Installation notes

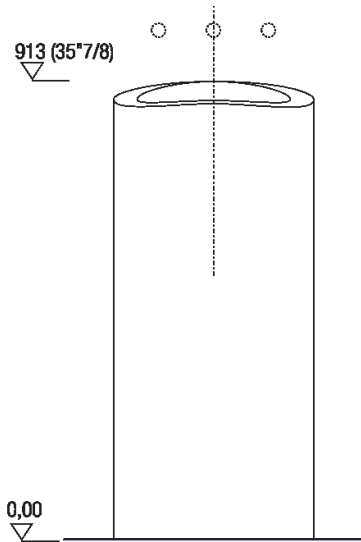


Scarico per sifone a bottiglia
Drain for bottle trap

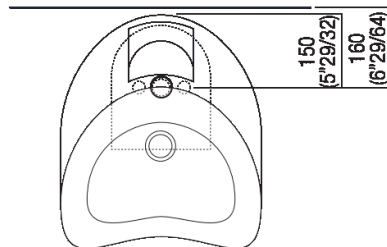




Installation notes



Scarico per sifone a pavimento
Drain for floor mounted waste trap





Tap position, recommended height

POSIZIONE RUBINETTERIA / TAP POSITION

Altezza consigliata / Recommended height

