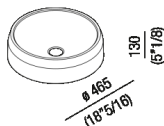




For support or over countertop round washbasin
 ACER1073_

design Patricia Urquiola, 2017

Over countertop washbasin, round or oval, in Cristalplant® biobased.



Materials

-  Cristalplant® biobased
-  Marble

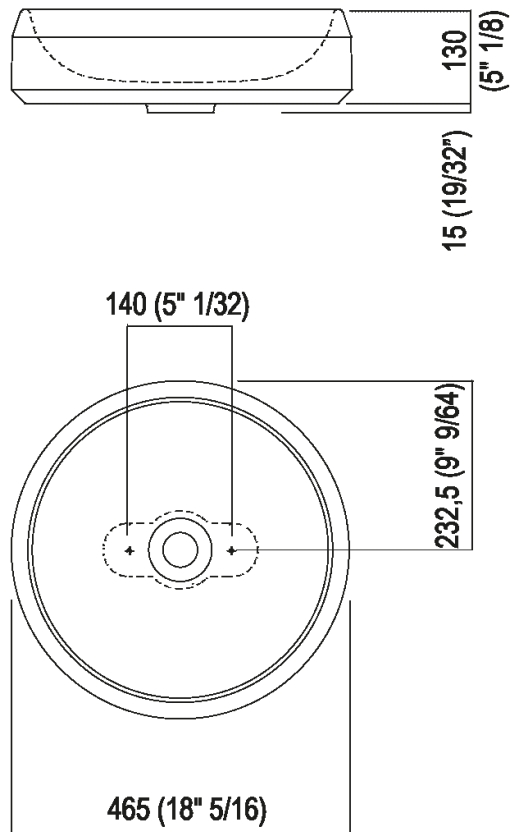
Round over countertop basin in Cristalplant® biosabed, either in white or two colours with a grey exterior soft touch (light RAL7044 or dark RAL7021). Also available in white Carrara marble, grey Carnico marble, black Marquina marble, green Alpi marble and dark Emperador marble. The basin includes the waste fitting with plug in a matching finish.

Height:	13 cm	5" 1/8 inches
Diameter:	46.5 cm	18" 5/16 inches
Weight:	12 kg	26 lbs
Packaging:	57 x 57 x 23 cm	22" 7/16 x 22" 7/16 x 9" 1/16 inches
Total weight:	16 kg	35 lbs

Note: The washbasin can be delivered also in stone or marble types on demand, price to be calculated. The above measurements refer to the Cristalplant® biobased version, for the marble version the measurements are: Weight: 40 kg - 88 lbs
 Packaging: 57 x 57 x 23 cm - 22" 7/16 x 22" 7/16 x 9" 1/16
 Gross weight: 50 kg - 110 lbs

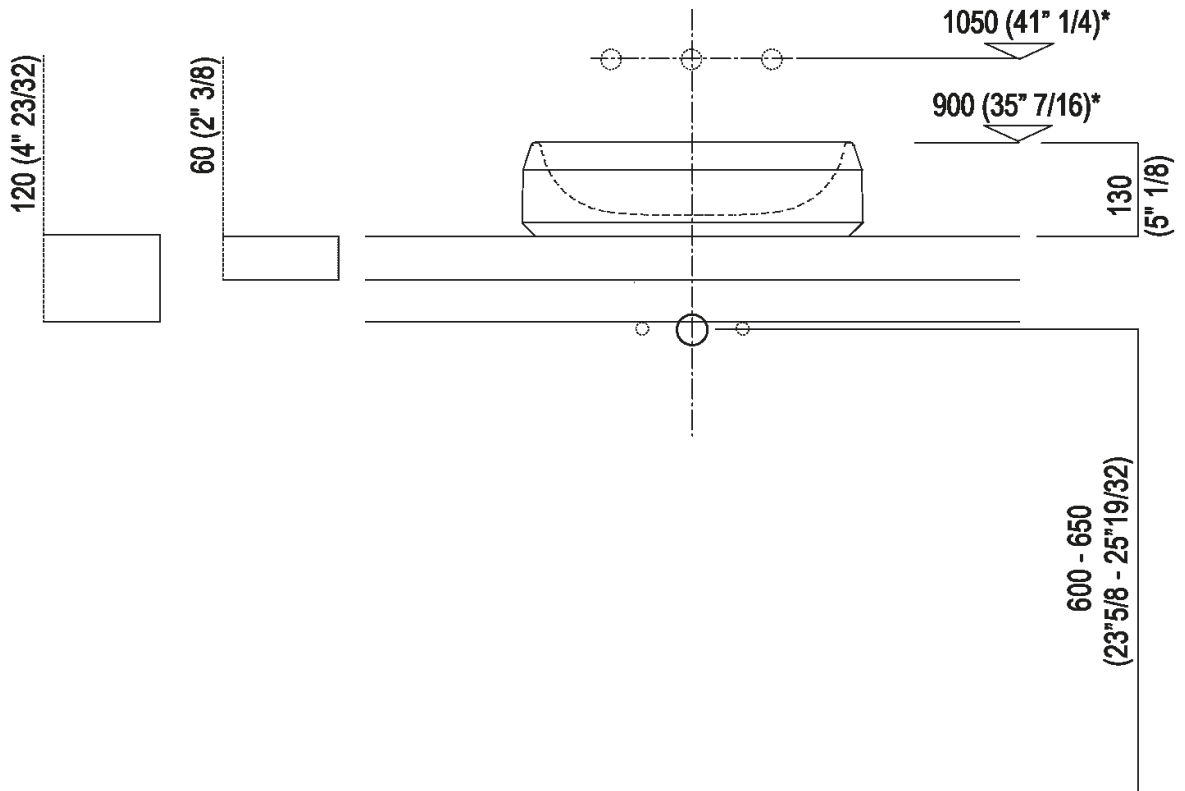


Main dimensions





Installation notes: on self-bearing countertop

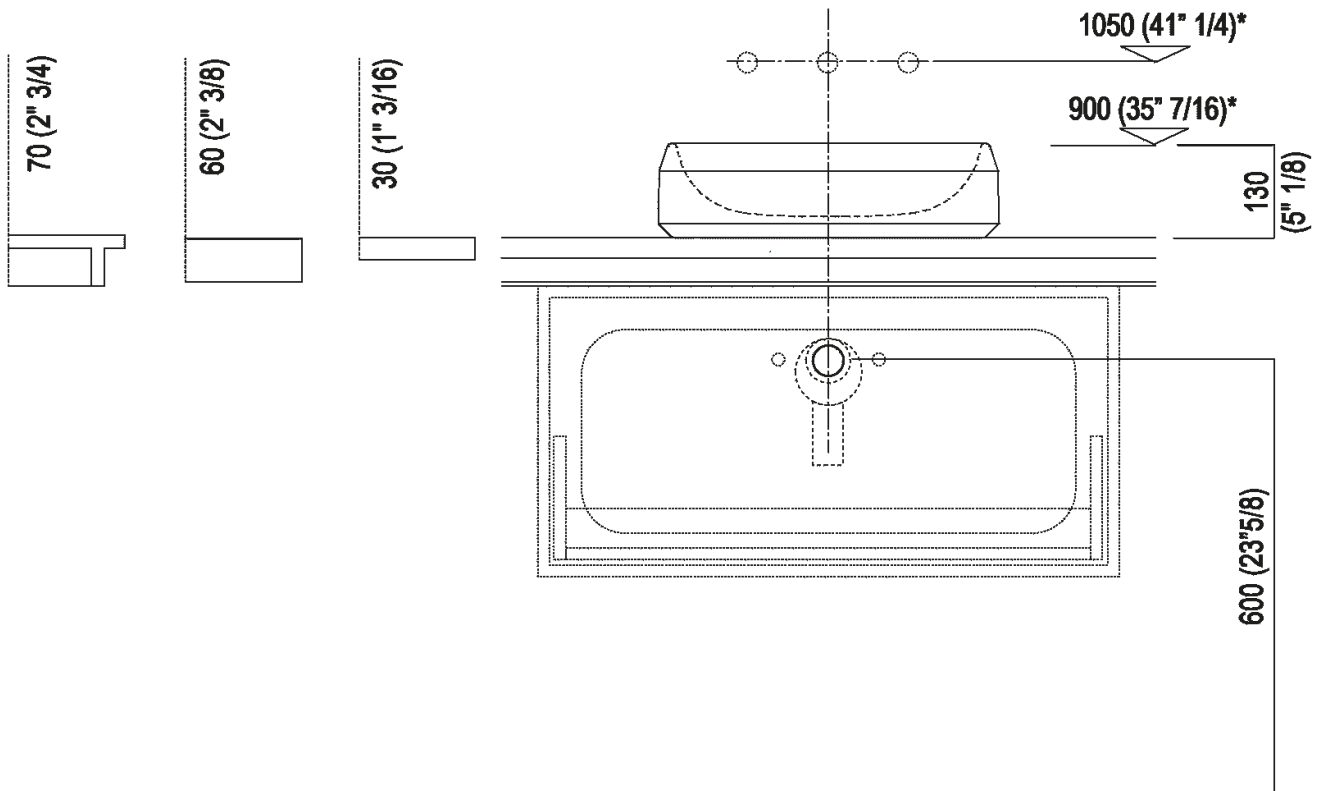


Scarico per sifone a bottiglia
Drain for bottle trap

*h.consigliata / advised h.



Installation notes: on countertop to be rested on cabinets

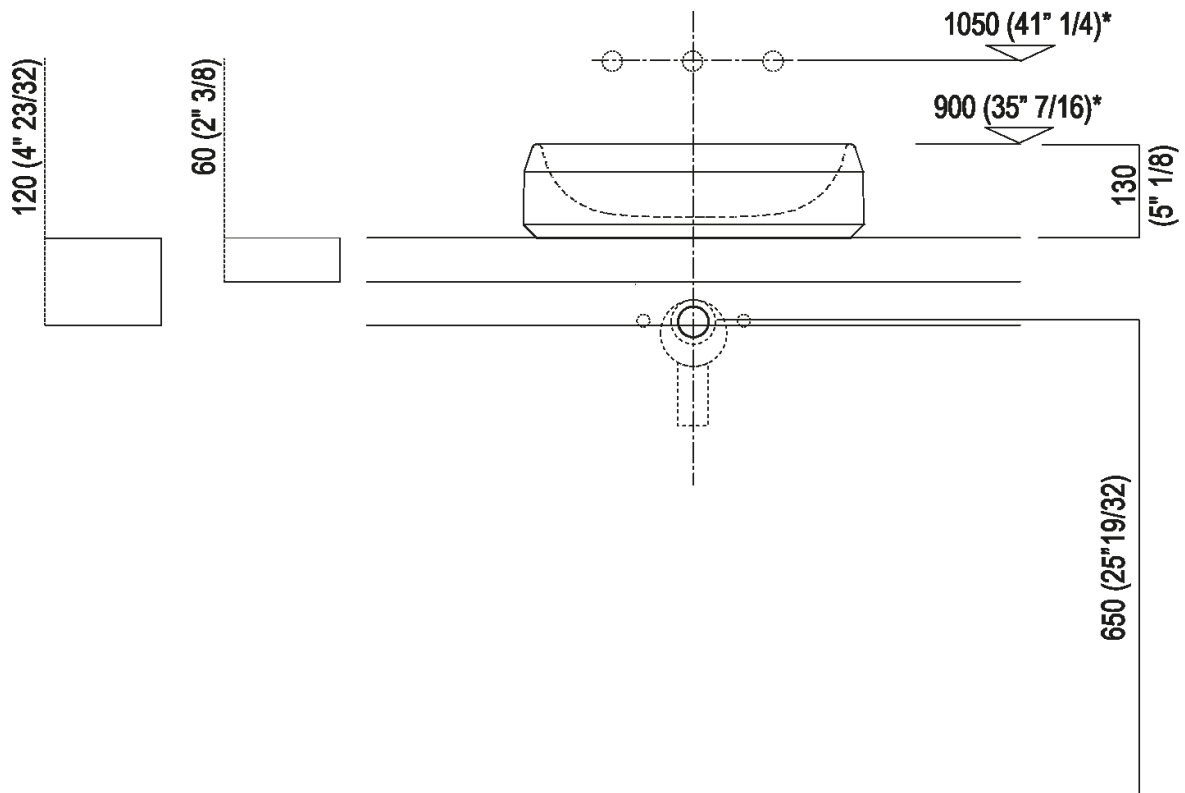


Scarico per sifone a bottiglia e ad incasso
Drain for bottle trap and concealed waste trap

*h.consigliata / advised h.



Installation notes: on self-bearing countertop



Scarico per sifone ad incasso
 Drain for concealed waste trap

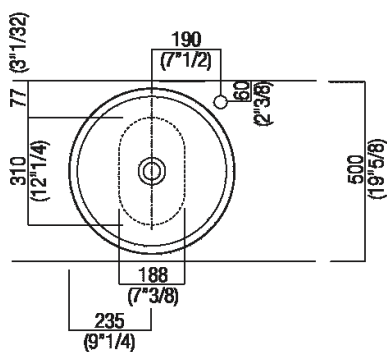
*h.consigliata / advised h.



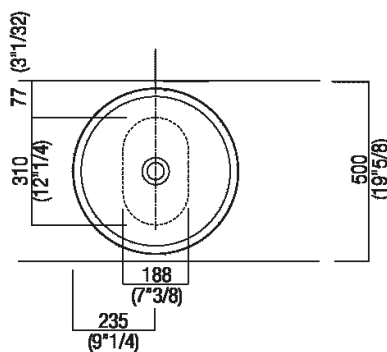
Holes for countertop washbasins and top mounted taps for top

PIANO cm 50 / COUNTERTOP cm 50

Posizione standard per rubinetto su piano
Standard position for top mounted tap



Posizione standard per rubinetto a parete
Standard position for wall mounted tap



Posizione speciale per rubinetto Sen a parete e Square con bocca curva
Special position for wall mounted tap Sen and Square white curved spout

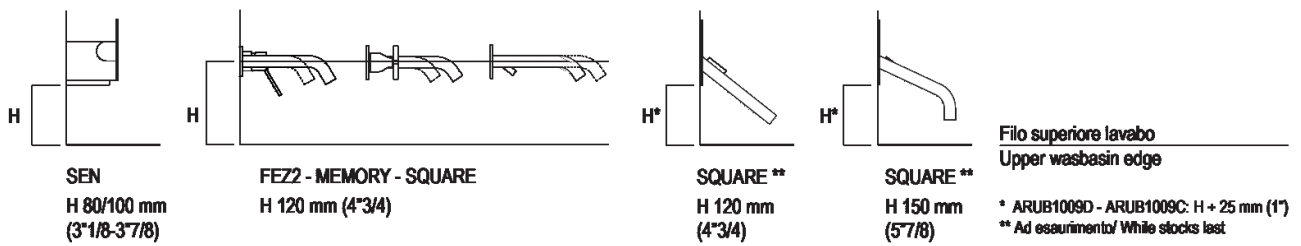
NON NECESSARIA
NOT NECESSARY



Tap position, recommended height

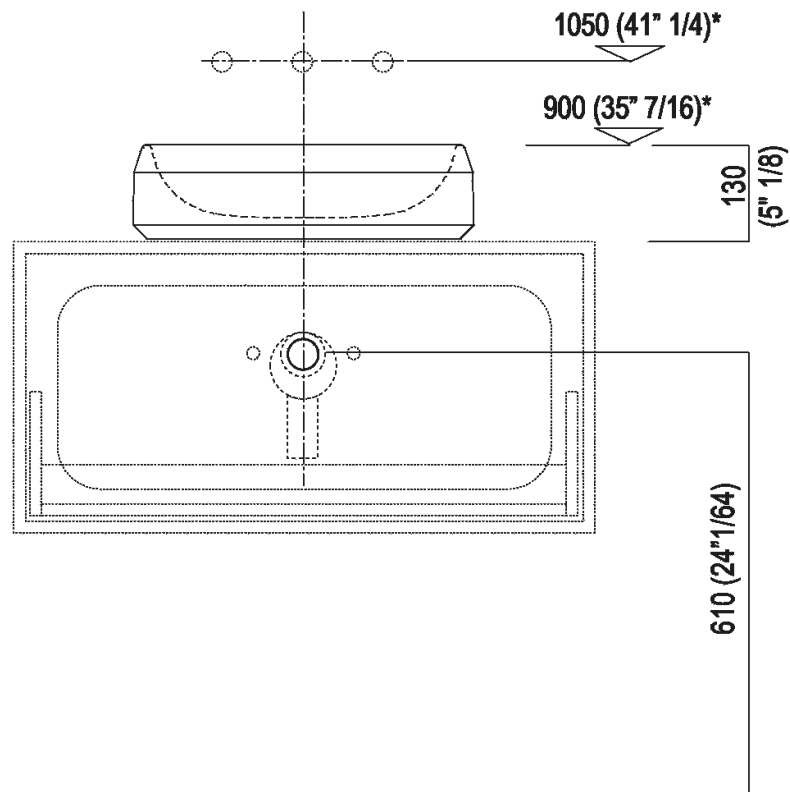
POSIZIONE RUBINETTERIA / TAP POSITION

Altezza consigliata / Recommended height





Installation notes: on casing H 40 cm Lato

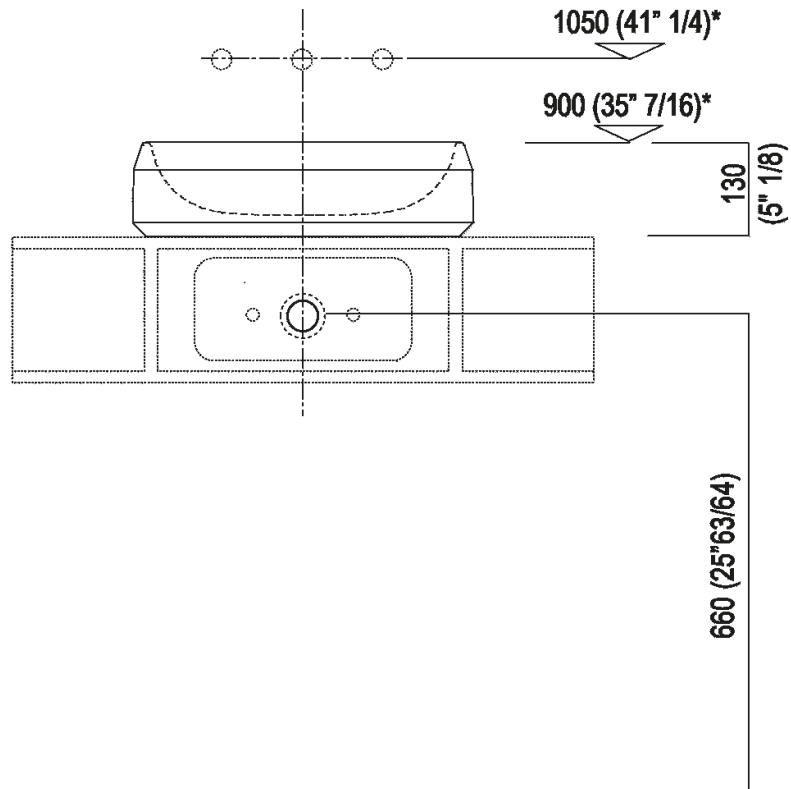


Scarico per sifone a bottiglia o ad incasso
Drain for bottle trap or concealed waste trap

***h.consigliata / advised h.**



Installation notes: on casing H 20 cm Lato



Scarico per sifone a bottiglia
Drain for bottle trap

***h.consigliata / advised h.**



Main dimensions

