



Walk-in closet made of blockboard and solid wood, it offers a functional and modular organization of the different elements, based on the customer's needs and requested sizes. It can be customized with the addition of cloth-hangers, shelves, chests of drawers in solid wood with traditional dovetail joints and other accessories. Perfect with internal fitting in scented cedar, a natural anti-moth agent. LED lighting available upon request.

INTERNAL FITTING EXCLUDED (REFER TO THE PAGES OF THE WARDROBE COMPONENTS)
BACK COMPULSORY

STANDARD VERSION: INTERNAL FITTINGS IN SCENTED CEDARWOOD; FOR OTHER FINISHES PLEASE CHECK FEASIBILITY AND PRICE WITH THE SALES DEPARTMENT

AVANT OPEN H. 220								
CODE	SIZE	NUMBER OF DOORS / MODULES	A1	A2	A3	A4	A5	A7
AVANT OPEN 2-220	W.159,5/208 x D.50 x H.220	2 MODULES	■	■	■	■	■	■
AVANT OPEN 1-220	W.57,5/106 x D.50 x H.220	1 MODULE	■	■	■	■	■	■

AVAILABLE FINISHES:

A1: walnut without knots, walnut with knots, elm

A2: oak without knots, oak with knots, cherry, maple

A3: oak without knots finish: whitened, mystic black, neutro

oak with knots finish: whitened, mystic black, neutro

A4: oak without knots pigmented: ash grey, white milk, total black

oak with knots pigmented: ash grey, white milk, total black

N.B.: pigmented surfaces only outside, inside cedar

A5: oak: with knots tabacco

A7: cedar

AVANT OPEN H. 240								
CODE	SIZE	NUMBER OF DOORS / MODULES	A1	A2	A3	A4	A5	A7
AVANT OPEN 2-240	W.159,5/208 x D.50 x H.240	2 MODULES	■	■	■	■	■	■
AVANT OPEN 1-240	W.57,5/106 x D.50 x H.240	1 MODULE	■	■	■	■	■	■

AVAILABLE FINISHES:

A1: walnut without knots, walnut with knots, elm

A2: oak without knots, oak with knots, cherry, maple

A3: oak without knots finish: whitened, mystic black, neutro

oak with knots finish: whitened, mystic black, neutro

A4: oak without knots pigmented: ash grey, white milk, total black

oak with knots pigmented: ash grey, white milk, total black

N.B.: pigmented surfaces only outside, inside cedar

A5: oak: with knots tabacco

A7: cedar

AVANT OPEN

AVANT OPEN H. 260

CODE	SIZE	NUMBER OF DOORS / MODULES	A1	A2	A3	A4	A5	A7
AVANT OPEN 2-260	W.159,5/208 x D.50 x H.260	2 MODULES	■	■	■	■	■	■
AVANT OPEN 1-260	W.57,5/106 x D.50 x H.260	1 MODULE	■	■	■	■	■	■

AVAILABLE FINISHES:

A1: walnut without knots, walnut with knots, elm

A2: oak without knots, oak with knots, cherry, maple

A3: oak without knots finish: whitened, mystic black, neutro

oak with knots finish: whitened, mystic black, neutro

A4: oak without knots pigmented: ash grey, white milk, total black

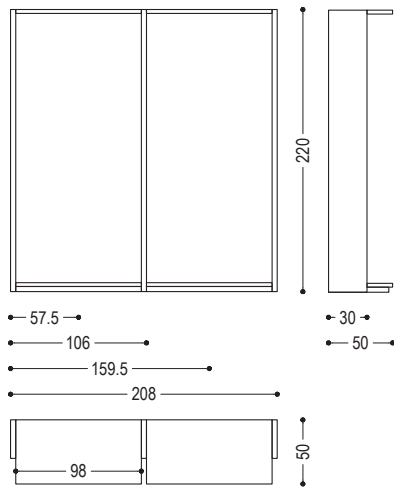
oak with knots pigmented: ash grey, white milk, total black

N.B.: pigmented surfaces only outside, inside cedar

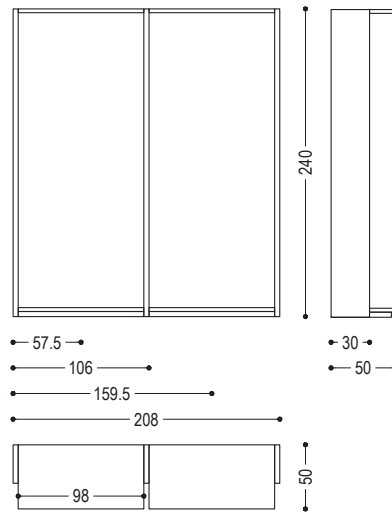
A5: oak: with knots tabacco

A7: cedar

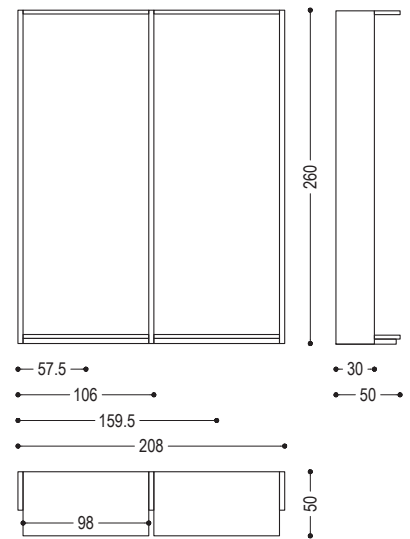
AVANT OPEN 1/2-220



AVANT OPEN 1/2-240



AVANT OPEN 1/2-260



AVANT OPEN | AVAILABLE FINISHES

WOOD

A1



walnut without knots



walnut with knots



elm

A2



oak without knots



oak with knots



cherry



maple

A3



oak without knots finish:
whitened



oak without knots finish:
mystic black



oak without knots finish:
neutro



oak with knots finish:
whitened



oak with knots finish:
mystic black



oak with knots finish:
neutro

A4



oak without knots pigmented:
ash grey



oak without knots pigmented:
white milk



oak without knots pigmented:
total black



oak with knots pigmented:
ash grey



oak with knots pigmented:
white milk



oak with knots pigmented:
total black

A5



oak:
with knots tabacco

AVANT OPEN | AVAILABLE FINISHES

A7



cedarwood

WARDROBES COMPONENTS

PUSH-PULL CHEST OF DRAWERS

STANDARD VERSION: DRAWERS WITH PUSH-PULL SYSTEM, ON METAL RUNNERS

CODE	SIZE	NUMBER OF DRAWERS	A1	A2	A3	A4	A5	A7
YCL 02001.008	FOR SINGLE MODULE H 59	3 DRAWERS	■	■	■	■	■	■
YCL 02001.0010	FOR SINGLE MODULE H 95	5 DRAWERS	■	■	■	■	■	■
YCL 02001.007	FOR DOUBLE MODULE H 59	3 DRAWERS	■	■	■	■	■	■
YCL 02001.009	FOR DOUBLE MODULE H 95	5 DRAWERS	■	■	■	■	■	■

AVAILABLE FINISHES:

A1: walnut without knots, walnut with knots, elm

A2: oak without knots, oak with knots, cherry, maple

A3: oak without knots finish: whitened, mystic black, neutro

oak with knots finish: whitened, mystic black, neutro

A4: oak without knots pigmented: ash grey, white milk, total black

oak with knots pigmented: ash grey, white milk, total black

N.B.: pigmented surfaces only outside, inside cedar

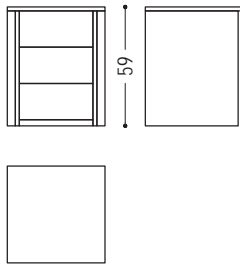
A5: oak: with knots tabacco

A7: cedar

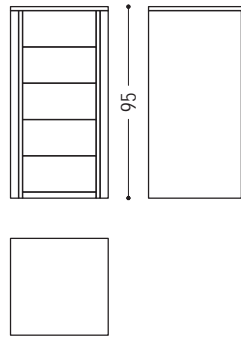
SURCHARGE FOR UPHOLSTERED DRAWER BOTTOM (ATTENTION: PRICE PER DRAWER)

LEATHER OLIMPIA	■
-----------------	---

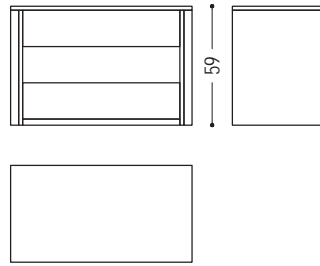
YCL 02001.008



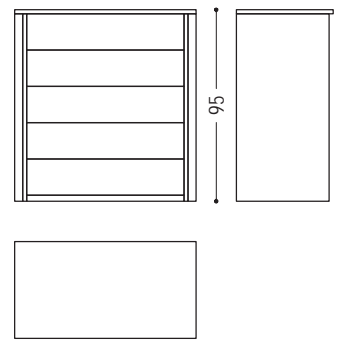
YCL 02001.0010



YCL 02001.007



YCL 02001.009



CHEST OF DRAWERS WITH HANDLES

STANDARD VERSION: DRAWERS ON METAL RUNNERS WITH HANDLES FR178 L.9 CM

CODE	SIZE	NUMBER OF DRAWERS	A1	A2	A3	A4	A5	A7
YCL 02001.004	FOR SINGLE MODULE H 59	3 DRAWERS	■	■	■	■	■	■
YCL 02001.002	FOR SINGLE MODULE H 95	5 DRAWERS	■	■	■	■	■	■
YCL 02001.003	FOR DOUBLE MODULE H 59	3 DRAWERS	■	■	■	■	■	■
YCL 02001.001	FOR DOUBLE MODULE H 95	5 DRAWERS	■	■	■	■	■	■

AVAILABLE FINISHES:

A1: walnut without knots, walnut with knots, elm

A2: oak without knots, oak with knots, cherry, maple

A3: oak without knots finish: whitened, mystic black, neutro

oak with knots finish: whitened, mystic black, neutro

A4: oak without knots pigmented: ash grey, white milk, total black

oak with knots pigmented: ash grey, white milk, total black

N.B.: pigmented surfaces only outside, inside cedar

A5: oak: with knots tabacco

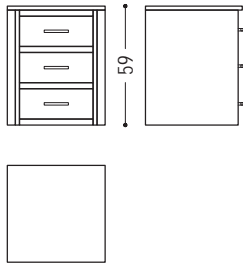
A7: cedar

WARDROBES COMPONENTS

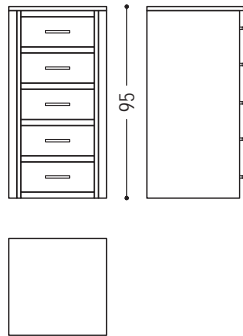
SURCHARGE FOR UPHOLSTERED DRAWER BOTTOM (ATTENTION: PRICE PER DRAWER)

LEATHER OLIMPIA	■
-----------------	---

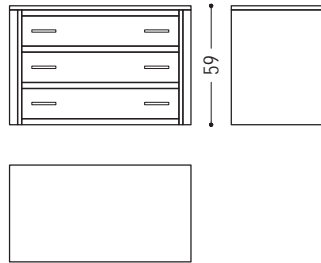
YCL 02001.004



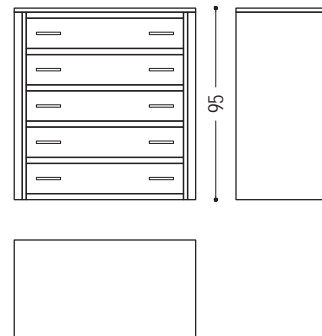
YCL 02001.002



YCL 02001.003



YCL 02001.001



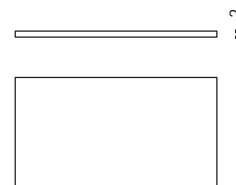
SHELVES

CODE	SIZE	A1	A2	A3	A4	A5	A7
YCL 02002.004	L 50 x H 3 SUITABLE FOR DOUBLE MODULE	■	■	■	■	■	■
YCL 02002.003	L 100 x H 3 SUITABLE FOR DOUBLE MODULE	■	■	■	■	■	■

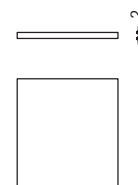
AVAILABLE FINISHES:

- A1:** walnut without knots, walnut with knots, elm
- A2:** oak without knots, oak with knots, cherry, maple
- A3:** oak without knots finish: whitened, mystic black, neutro
oak with knots finish: whitened, mystic black, neutro
- A4:** oak without knots pigmented: ash grey, white milk, total black
oak with knots pigmented: ash grey, white milk, total black
- A5:** oak: with knots tabacco
- A7:** cedar

YCL 02002.003



YCL 02002.004

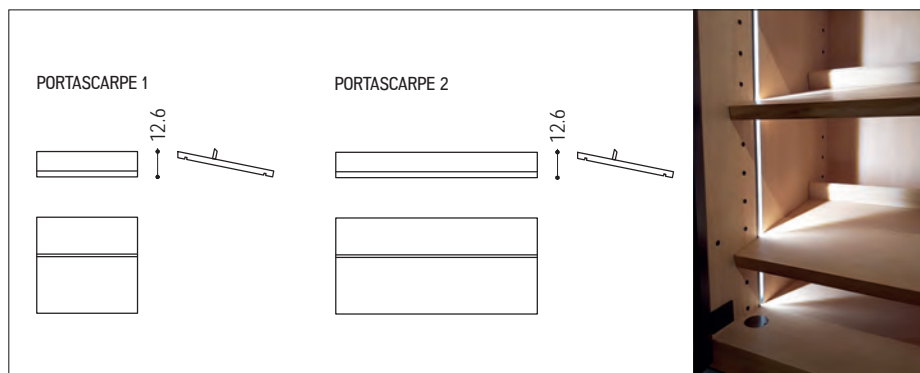


SHOE SHELVES

CODE	SIZE	A1	A2	A3	A4	A5	A7
PORTASCARPE 1	L 50 x H 3 SUITABLE FOR DOUBLE MODULE	■	■	■	■	■	■
PORTASCARPE 2	L 100 x H 3 SUITABLE FOR DOUBLE MODULE	■	■	■	■	■	■

AVAILABLE FINISHES:

- A1:** walnut without knots, walnut with knots, elm
- A2:** oak without knots, oak with knots, cherry, maple
- A3:** oak without knots finish: whitened, mystic black, neutro
oak with knots finish: whitened, mystic black, neutro
- A4:** oak without knots pigmented: ash grey, white milk, total black
oak with knots pigmented: ash grey, white milk, total black
- A5:** oak: with knots tabacco
- A7:** cedar



WARDROBES COMPONENTS

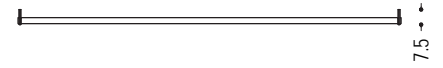
CLOSET ROD

CODE	SIZE	WOOD
YCL 02003.002-W	L 50 x H 3 SUITABLE FOR DOUBLE MODULE	■
YCL 02003.001-W	L 100 x H 3 SUITABLE FOR DOUBLE MODULE	■

YCL 02003.002-W



YCL 02003.001-W



MODULE WITH PULL-OUT TRAYS ON WOODEN RAILS

CODE	SIZE	NUMBER OF TRAYS	A1	A2	A3	A4	A5	A7
RIP. ESTR. 1 L	FOR SINGLE MODULE H 60	4 TRAYS	■	■	■	■	■	■
RIP. ESTR. 2 L	FOR SINGLE MODULE H 87	6 TRAYS	■	■	■	■	■	■
RIP. ESTR. 3 L.	FOR DOUBLE MODULE H 60	4 TRAYS	■	■	■	■	■	■
RIP. ESTR. 4 L	FOR DOUBLE MODULE H 87	6 TRAYS	■	■	■	■	■	■

AVAILABLE FINISHES:

A1: walnut without knots, walnut with knots, elm

A2: oak without knots, oak with knots, cherry, maple

A3: oak without knots finish: whitened, mystic black, neutro

oak with knots finish: whitened, mystic black, neutro

A4: oak without knots pigmented: ash grey, white milk, total black

oak with knots pigmented: ash grey, white milk, total black

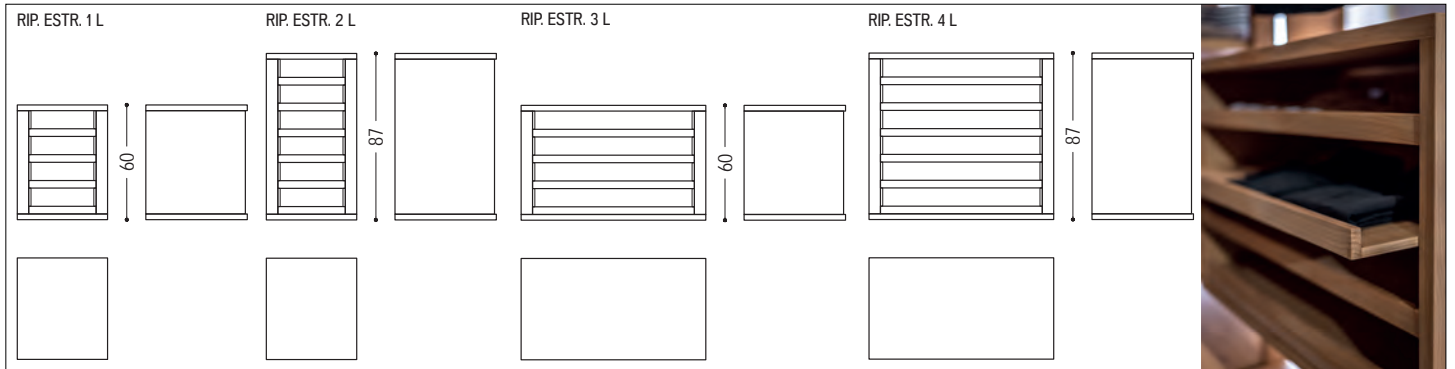
N.B.: pigmented surfaces only outside, inside cedar

A5: oak: with knots tabacco

A7: cedar

SURCHARGE FOR UPHOLSTERED SHELF BOTTOM (ATTENTION: PRICE PER SHELF)

LEATHER OLIMPIA	■
-----------------	---



MODULE WITH PULL-OUT TRAYS ON METAL RUNNERS

CODE	SIZE	NUMBER OF TRAYS	A1	A2	A3	A4	A5	A7
RIP. ESTR. 1 M	FOR SINGLE MODULE H 60	2 TRAYS	■	■	■	■	■	■
RIP. ESTR. 2 M	FOR SINGLE MODULE H 87	3 TRAYS	■	■	■	■	■	■
RIP. ESTR. 3 M	FOR DOUBLE MODULE H 60	2 TRAYS	■	■	■	■	■	■
RIP. ESTR. 4 M	FOR DOUBLE MODULE H 87	3 TRAYS	■	■	■	■	■	■

AVAILABLE FINISHES:

A1: walnut without knots, walnut with knots, elm

A2: oak without knots, oak with knots, cherry, maple

A3: oak without knots finish: whitened, mystic black, neutro

oak with knots finish: whitened, mystic black, neutro

A4: oak without knots pigmented: ash grey, white milk, total black

oak with knots pigmented: ash grey, white milk, total black

N.B.: pigmented surfaces only outside, inside cedar

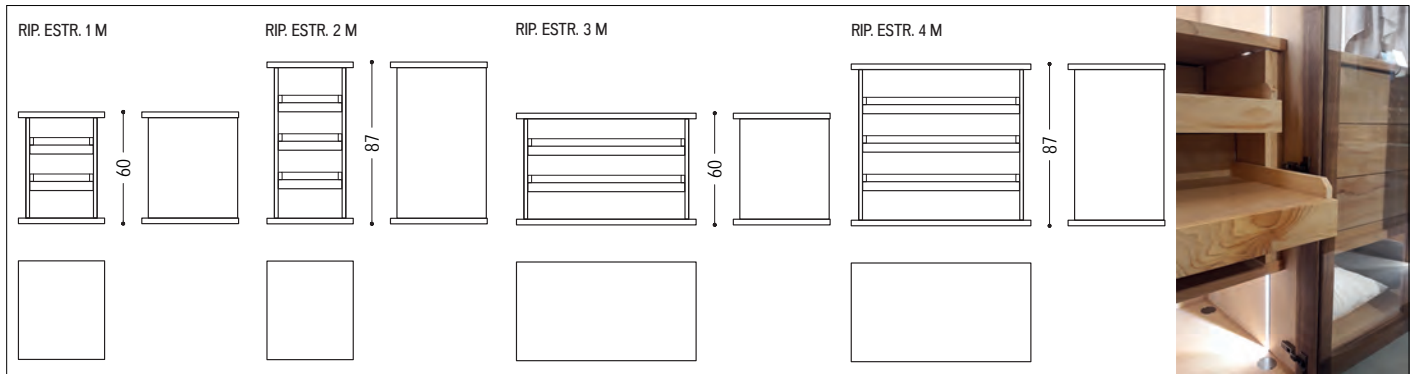
A5: oak: with knots tabacco

A7: cedar

WARDROBES COMPONENTS

SURCHARGE FOR UPHOLSTERED SHELF BOTTOM (ATTENTION: PRICE PER SHELF)

LEATHER OLIMPIA	■
-----------------	---



GRID-TRAY FOR DRAWER

CODE		A1	A2	A5	A7
PORTAOGGETTI CASSETTO 1	INSIDE DRAWERS FOR SINGLE MODULE	■	■	■	■
PORTAOGGETTI CASSETTO 2	INSIDE DRAWERS FOR DOUBLE MODULE	■	■	■	■

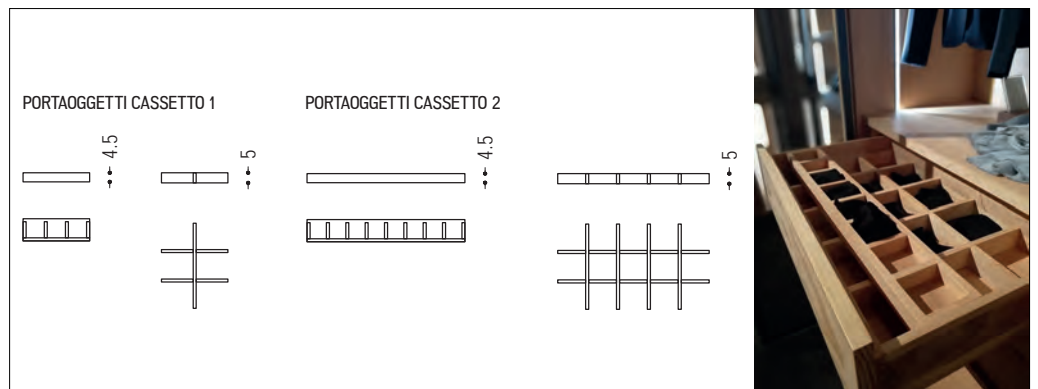
AVAILABLE FINISHES:

A1: walnut without knots, walnut with knots, elm

A2: oak without knots, oak with knots, cherry, maple

A5: oak: with knots tabacco

A7: cedar



WARDROBES COMPONENTS

PUSH-PULL TROUSERS-TRAY

CODE		A1	A2	A3	A4	A5	A7
PORTAPANTALONI 1	INSIDE DRAWERS FOR SINGLE MODULE	■	■	■	■	■	■
PORTAPANTALONI 2	INSIDE DRAWERS FOR DOUBLE MODULE	■	■	■	■	■	■

AVAILABLE FINISHES:

A1: walnut without knots, walnut with knots, elm

A2: oak without knots, oak with knots, cherry, maple

A3: oak without knots finish: whitened, mystic black, neutro

oak with knots finish: whitened, mystic black, neutro

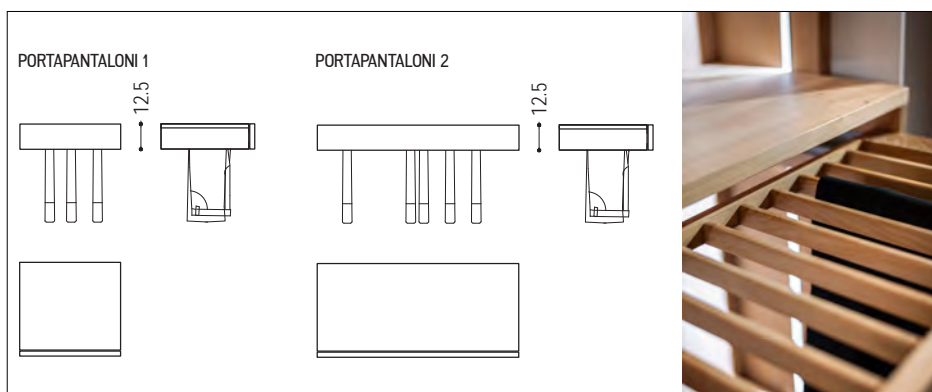
A4: oak without knots pigmented: ash grey, white milk, total black

oak with knots pigmented: ash grey, white milk, total black

N.B.: pigmented surfaces only outside, inside cedar

A5: oak: with knots tabacco

A7: cedar



LED LIGHTING SYSTEM FOR WARDROBE

PRICE FOR ONE MODULE INCLUDING: 2 LED STRIPS 2 PROFILES TO INSERT LED STRIPS 1 POWER SUPPLY (SUITABLE UP TO 30 WATT) 1 DETECTOR AVAILABLE IN 2 VERSIONS (MOTION DETECTOR OR WHEN THE DOOR IS OPENED)	■
--	---