

Michel

SMALL TABLES

2012

Antonio Citterio



Description

Whether rectangular or square, the Michel small tables, available in several sizes, complement the series of sofas of the same name, while also pairing with ease with other upholstered products. Minimalist and elegant, they stand out for their tops available in glass. The frame is in aluminium in various finishes.

Technical information

Top

glass on MDF wood fibre panel

Support frame

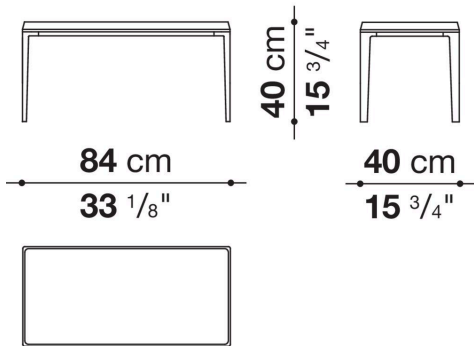
die-cast aluminium and extrusions

Ferrules

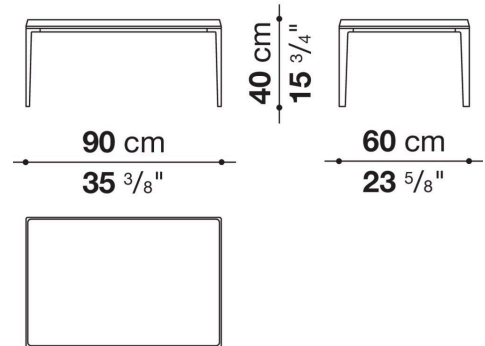
plastic material

Technical drawings

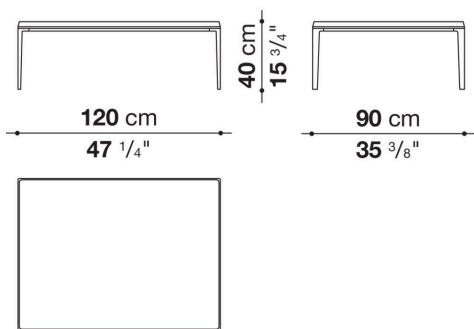
MT84



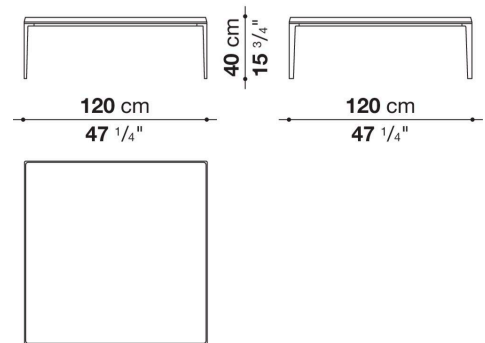
MT90



MT120



MT120Q



MT180

