

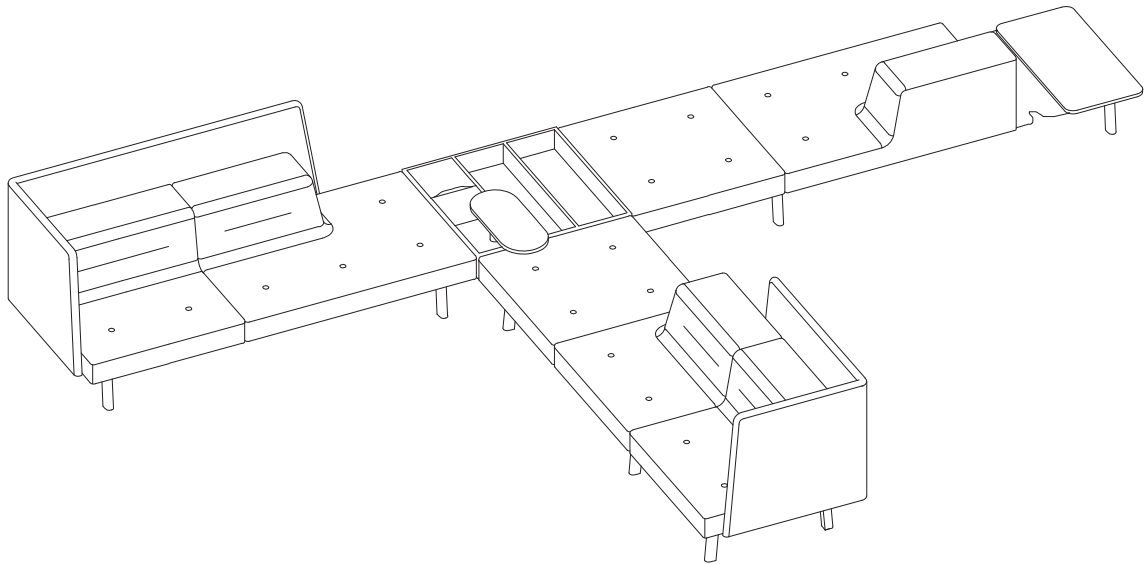
# ophelis docks



**ophelis docks** is a modular furniture system which allows you to create different islands within a room. With docks, ophelis offers a solution to the wide range of new challenges in the office. Transitional zones – complementing the classic desk workstation – are intended to meet the needs of changing working environments.

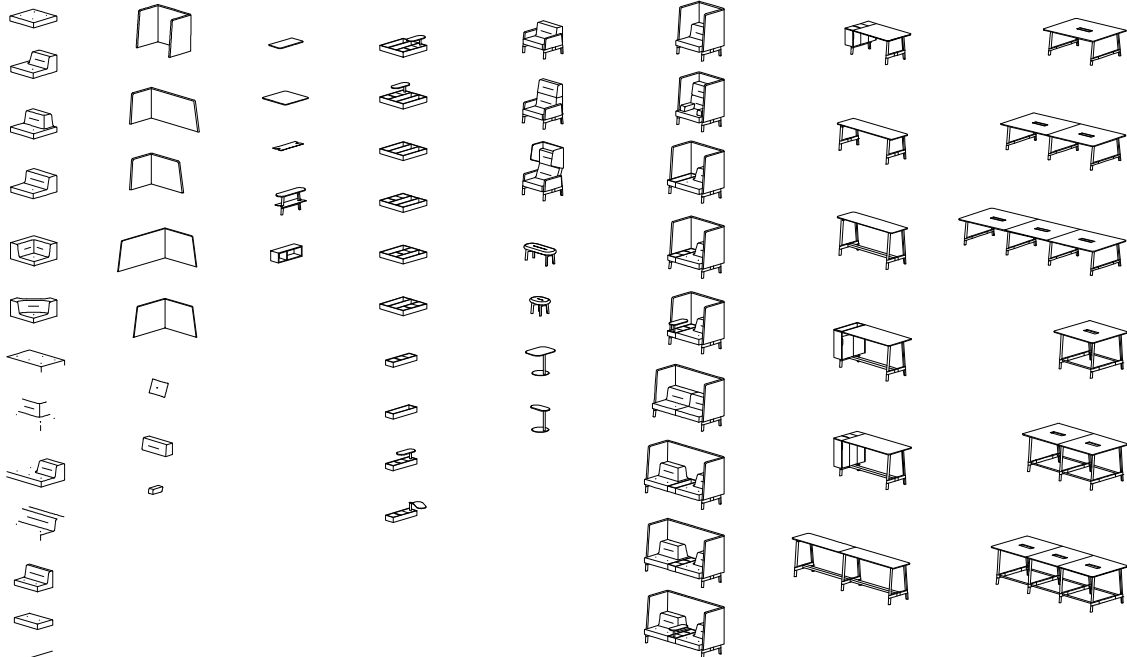
The large number of modules allow individual configurations to be flexibly created, from waiting and lounge areas to acoustically and visually shielded communication areas in open space and temporary sitting and standing workstations. Formally coordinated add-ons such as lights, seating and side tables, which become part of the system via the add-on panel, round off ophelis docks and offer additional options for adaptation to personal requirements. In combination with the intelligent cable management, ophelis docks becomes the optimal workstation.

# Product features



- Modular and freely combinable furniture system
- All retreat, communication and intermediate areas form a coherent system
- Variety: in addition to upholstered elements with backrest, boards, tables, high and standing benches at lounge, sitting and standing height are also available
- Invisible cable routing in the frame allows flexible power supply
- “Bricks” modules offer additional benefits as e-box, planting bowl, container or lap table for conveniently working at lounge level
- Visual and acoustic shielding via partitions
- Additional components: Stools, armchairs, high back chairs, wing chairs, laptable floor, cushions, headrests and arm cushions
- The basic module is a 90×90 cm cube , which provides “infinite” design options based on a 15 cm grid pattern
- Additionally: Pre-configured elements 60 cm in depth for restricted layouts or wall-facing arrangement
- Variety of design options thanks to broad range of textiles

# Modules



# Examples

