

AXOR Starck
Single lever shower mixer for concealed installation with pin handle
Surfaces: **Chrome** Article Number: **10616000**



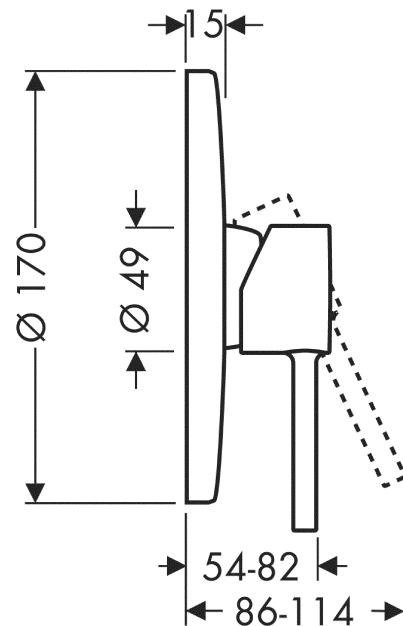
product features

- 1 function
- connection type: basic set
- maximum flow rate at 3 bar: 29 l/min
- ceramic cartridge
- min. operating pressure: 1 bar
- max. operating pressure: 10 bar
- temperature limitation adjustable
- with silencer
- suitable for continuous flow water heaters

Product image



Scale drawing



AXOR Starck
Single lever shower mixer for concealed installation with pin handle
Surfaces: **Chrome** Article Number: **10616000**



Flowchart

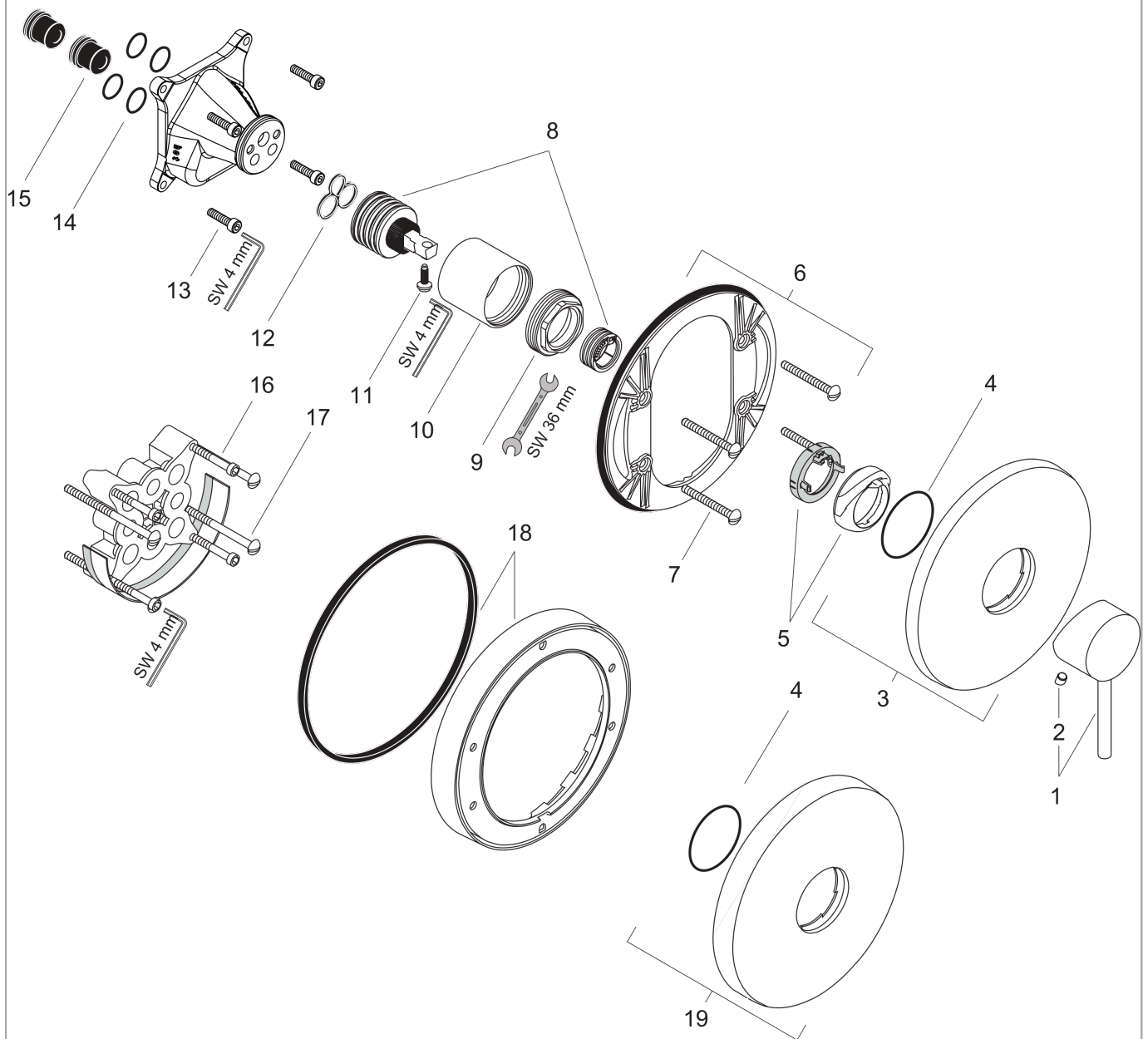


AXOR Starck
Single lever shower mixer for concealed installation with pin handle
 Surfaces: **Chrome** Article Number: **10616000**



Exploded Drawing

Year of production: >05/12



AXOR Starck
Single lever shower mixer for concealed installation with pin handle
 Surfaces: **Chrome** Article Number: **10616000**



Spare part list

Year of production: >05/12

Pos.		Article Number	Price	PU
1	handle	10490000	-	1
2	screw cover	96338000	-	1
3	escutcheon Ø 170 mm	95803000	-	1
4	O-Ring 48x3	95508000	-	1
5	flange (Rotating Protector)	96395000	-	1
6	sub plate	96447000	-	1
7	set of fixing screws	96454000	-	1
8	cartridge, assy	92730000	-	1
9	nut	96461000	-	1
10	sleeve	95980000	-	1
11	locking screw for handle	96059000	-	1
12	seal	95008000	-	1
13	set of screws	96525000	-	1
14	O-ring 16x2	98133000	-	1
15	noise reduction	94073000	-	1
16	extension 25 mm	13595000	-	1
17	set of fixing screws	97747000	-	1
18	extension 22 mm (Ø 170 mm)	13596000	-	1
19	escutcheon height = 33 mm (when wall is not deep enough).	14960000	-	1
a	concealed item	01800180	-	1
b	adapter for exchanged connections	93181000	-	1
c	fixation set	96615000	-	1