
Fat-Sofa Outdoor

SOFAS

2015

Patricia Urquiola



Description

The Fat-Sofa Outdoor collection stands out for its rounded, soft and sinuous shapes, echoing the features of the indoor system of the same name. Its fully padded seat is accompanied by a back with a metal frame that supports the original weave, made of dove grey coloured twisted polyethylene fibres. A technique with a graphic effect and macro dimensions that make the design unique, respecting the designer's idea of lightness and transparency, and putting the furnishings in an open "dialogue" with the surrounding environment. The Fat-Sofa Outdoor collection consists of an in-line sofa in two sizes and a large relaxing seat. The series is complemented by an armchair with backrest in two heights and different sized ottomans.

Technical information

Frame

aluminium with polyester powder painting

Interlacing

polyethylene fibre

Internal frame

tubular steel and steel profiles, polystyrene foam

Internal frame upholstery

Bayfit® flexible cold shaped polyurethane foam, shaped polyurethane of different density, water repellent polyester fibre cover (with heat-sealed ribbon)

Internal frame (FA61P-FA76P)

polystyrene foam, MDF wood fibre panel with Umidax® high humidity resistance

Internal frame upholstery (FA61P-FA76P)

Bayfit® flexible cold shaped polyurethane foam, shaped polyurethane, water repellent polyester fibre cover (with heat-sealed ribbon)

Back cushion

polyester fibre, cover in water repellent polyester fibre

Bottom base

100% polyamide fabric coated PVC, PVC trimming

Feet

thermoplastic material

Waterproof cover cloth

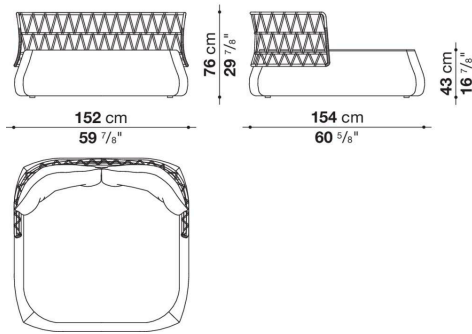
PES fabric coated on one side in PU

Cover

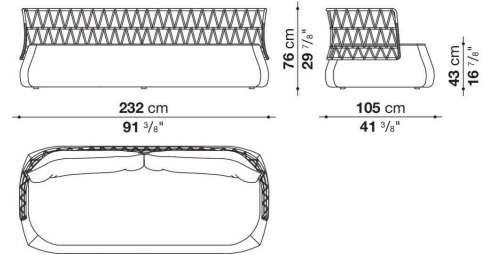
fabric in limited categories

Technical drawings

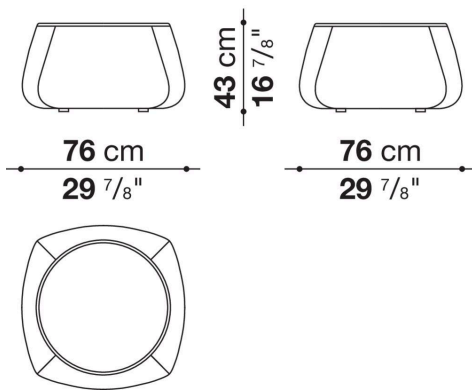
FA150



FA230



FA76P



FA61P

