



Round small table with top in Kauri wood blocks and resin, combined with an iron base. Available in different sizes, with possibility of stacking one over the other.

STANDARD VERSION: IRON BASE LACQUERED IRONDUST COLOUR (B2)

CODE	SIZE	A10
KOHI-KAURI1	Ø 65 x H.22	■
KOHI-KAURI2	Ø 65 x H.32	■
KOHI-KAURI3	Ø 95 x H.22	■
KOHI-KAURI4	Ø 95 x H.32	■

AVAILABLE FINISHES:

A10: kauri

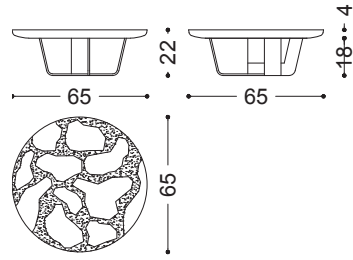
FEASIBILITY LACQUERED IRON BASE	SMALL TABLE H 22 CM	SMALL TABLE H 32 CM
B2	■	■
B3	■	■

AVAILABLE FINISHES:

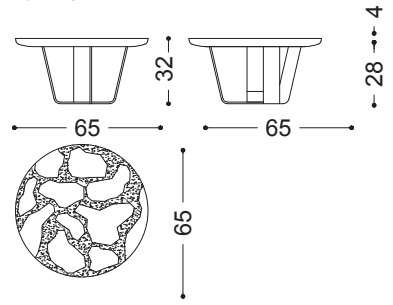
B2: lacquered iron: iron dust, RAL (only selected colours)

B3: lacquered iron matt brushed effect: aged copper, aged bronze, stainless steel, titanium
lacquered iron oxidised effect

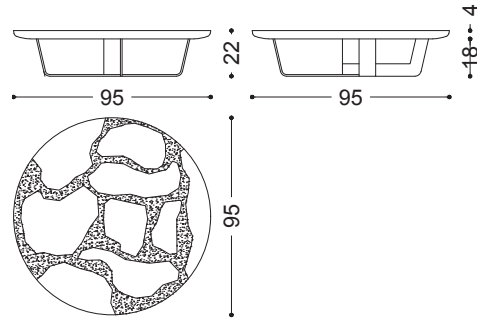
KOHI-KAURI1



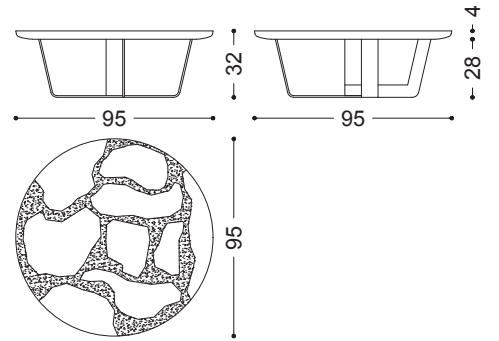
KOHI-KAURI2



KOHI-KAURI3



KOHI-KAURI4



Kauri top drawing for illustrative purposes only

WOOD

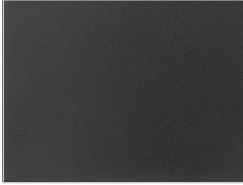
A10



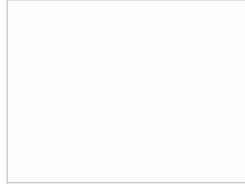
kauri

IRON

B2



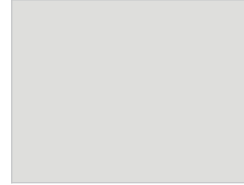
lacquered iron:
iron dust



ferro laccato:
RAL - 1013_OYSTER WHITE



ferro laccato:
RAL - 3020_TRAFFIC RED



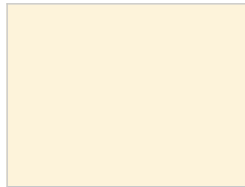
ferro laccato:
RAL - 7035_LIGHT GREY



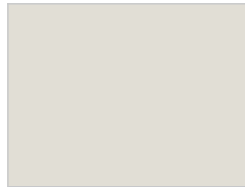
ferro laccato:
RAL - 7037_DUSTY GREY



ferro laccato:
RAL - 8019_GREY BROWN



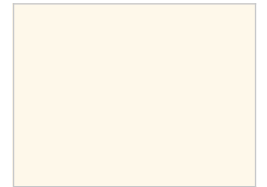
ferro laccato:
RAL - 9001_CREAM WHITE



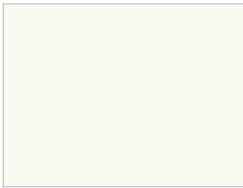
ferro laccato:
RAL - 9002_GREY WHITE



ferro laccato:
RAL - 9005_JET BLACK



ferro laccato:
RAL - 9010_PURE WHITE



ferro laccato:
RAL - 9016_TRAFFIC WHITE

B3



lacquered iron, matt brushed effect:
aged copper



lacquered iron, matt brushed effect:
aged bronze



lacquered iron, matt brushed effect:
stainless steel



lacquered iron, matt brushed effect:
titanium



lacquered iron, oxidised effect