



Chair with back and seat completely in solid wood, glued lists, modelled to create an enveloping shape. Base with rotating leg in satin steel.

STANDARD VERSION: REVOLVING CHAIR - SATIN STEEL BASE

CODE	SIZE	A1	A2	A3	A4
8.21.1	W.58 x D.46 x H.43/76	■	■	■	■

AVAILABLE FINISHES:

A1: walnut without knots, elm

A2: oak without knots, cherry, maple

A3: oak without knots finish: whitened, mystic black, neutro

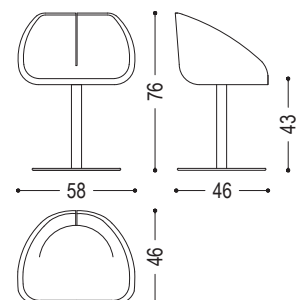
A4: oak without knots pigmented: ash grey, white milk, total black

FEASIBILITY LACQUERED BASE

B3	■
----	---

AVAILABLE FINISHES:

B3: lacquered iron matt brushed effect: aged copper, aged bronze, stainless steel, titanium
lacquered iron oxidised effect



WOOD

A1



walnut without knots



elm

A2



oak without knots



cherry



maple

A3



oak without knots finish:
whitened



oak without knots finish:
mystic black



oak without knots finish:
neutro

A4



oak without knots pigmented:
ash grey



oak without knots pigmented:
white milk



oak without knots pigmented:
total black

IRON

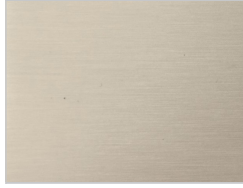
B3



lacquered iron, matt brushed effect:
aged copper



lacquered iron, matt brushed effect:
aged bronze



lacquered iron, matt brushed effect:
stainless steel



lacquered iron, matt brushed effect:
titanium



lacquered iron, oxidised effect