

# CHLORIS

*Arihiro Miyake*

Comprehension and prediction of future technologies are the driving themes behind Chloris, a two-year research project by Arihiro Miyake. A pendant lamp which explores the paradigm of atmospheric design. Framed by a conducting structure, single LED sources are embedded in polycarbonate diffusers, dispersing in the air like floating.



# LED

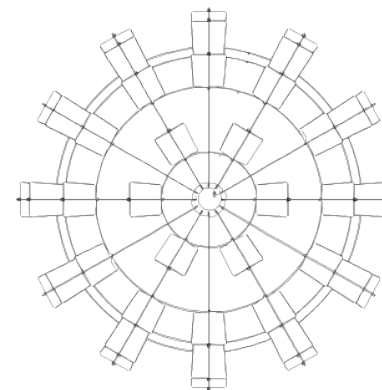
---

## LAMPING

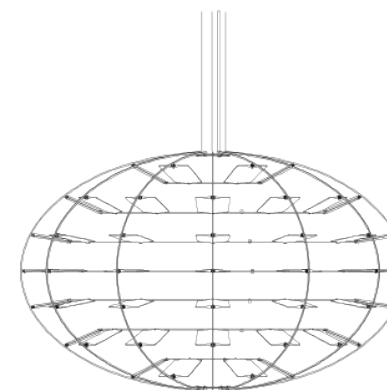
Source	LED board
Total power	90W
Emission	diffused
Tension	110-240V
Color temperature	2500K / 3000K
Typ CRI	90
IP class	20
Dimensions	ø90x56cm
Notes	DTW, cable length 2,5m

<i>Codes</i>	<i>Structure/Diffuser</i>
CHL LGD 51	niche/white

## *Certificazioni*



90



56