

## AXOR Starck

### Single lever shower mixer for exposed installation with pin handle

Surfaces: **Chrome** Article Number: **10611000**



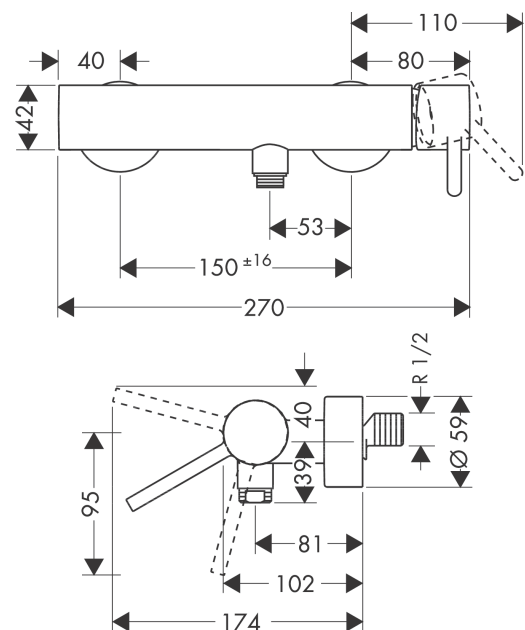
#### product features

- 1 function
- connection type: s-shaped connections
- centre distance:  $150 \pm 16$  mm
- maximum flow rate at 3 bar: 28 l/min
- flow rate of hand shower at 3 bar: 16 l/min
- ceramic cartridge
- min. operating pressure: 1 bar
- max. operating pressure: 10 bar
- temperature limitation adjustable
- non-return valve
- with silencer
- suitable for continuous flow water heaters
- hose connection DN15
- connection dimension: DN15

#### Product image



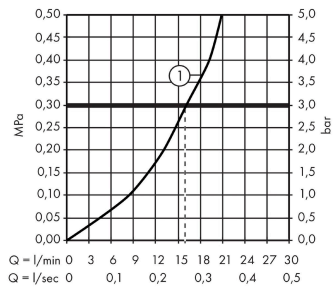
#### Scale drawing



**AXOR Starck**  
**Single lever shower mixer for exposed installation with pin handle**  
Surfaces: **Chrome** Article Number: **10611000**



## Flowchart

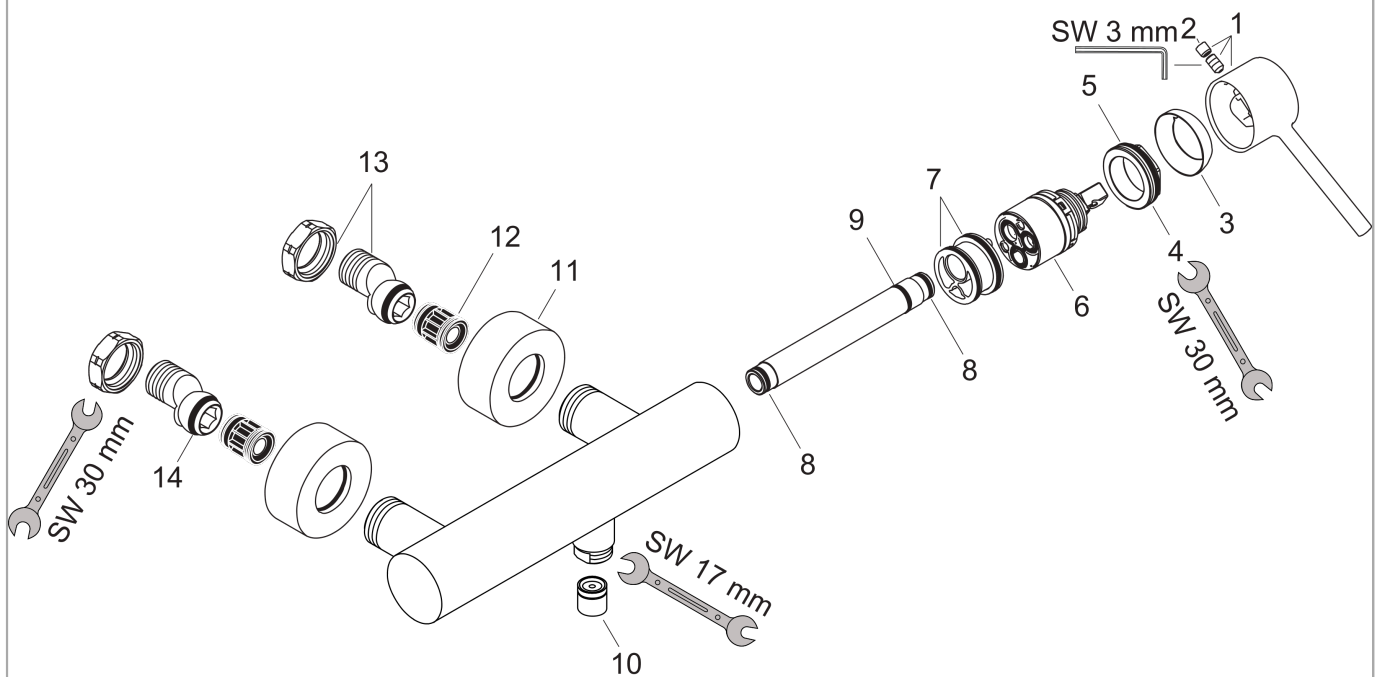


**AXOR Starck**  
**Single lever shower mixer for exposed installation with pin handle**  
Surfaces: **Chrome**    Article Number: **10611000**



## Exploded Drawing

Year of production: >04/04



**AXOR Starck**  
**Single lever shower mixer for exposed installation with pin handle**  
 Surfaces: **Chrome**    Article Number: **10611000**



## Spare part list

Year of production: >04/04

Pos.		Article Number	Price	PU
1	handle	10093000	-	1
2	screw cover	96762000	-	1
3	flange	96763000	-	1
4	nut	97209000	-	1
5	O-ring 33x2	98154000	-	1
6	cartridge, assy	92730000	-	1
7	O-ring 29x2	98391000	-	1
8	O-ring 11x2	98127000	-	1
9	O-ring 12x2	98214000	-	1
10	set of non return valves DW 15	94074000	-	1
11	escutcheon Ø 59 mm	97507000	-	1
12	noise reduction	96429000	-	1
13	set of S-unions with nuts	96742000	-	1
14	O-ring 18x2,5	98139000	-	1