

Lemante

SMALL TABLES

2023

Kensaku Oshiro



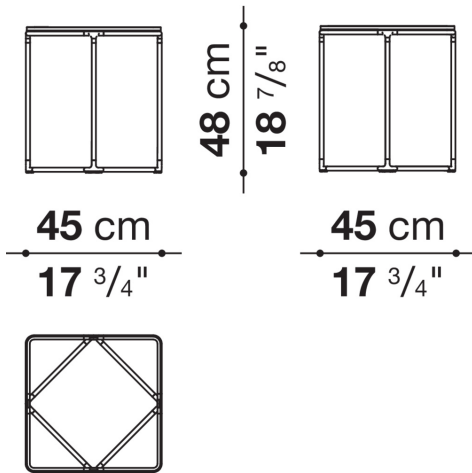
Description

Lemante is a collection of small tables replete with striking stylistic signs and with a strong biographical note for its creator, Japanese designer Kensaku Oshiro. The collection refers to organic forms found in nature juxtaposed with the more essential lines of the frame and is based on a simple geometric idea: two parallel squares rotated and offset by 45°. Prominent among the structural elements are the slender frame in metal rod and the corner joint composed of an aluminum casting. The tops are available in extra light transparent glass or molten glass, a process that creates organic textures and irregularities on the surface for a distinct tactile effect. Two materials are available for the base, black Marquinia marble or glossy lacquered in numerous shades. The collection comprises four interlocking sizes for infinite decorative compositions.

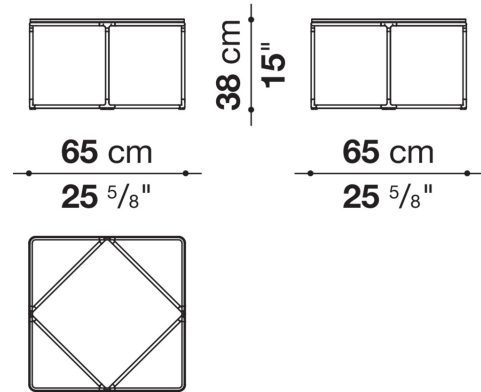
Technical information

Technical drawings

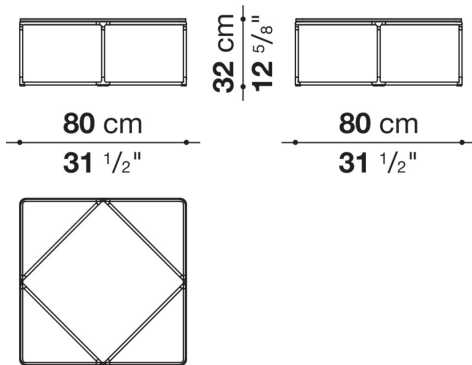
LEM45



LEM65



LEM80



LEM110

