

Talis M52

Single lever kitchen mixer 270, 1jet

Surfaces: **Chrome** Article Number: **14870000**



Description

product features

- ComfortZone 270
- swivel range adjustable in 3 steps 110°, 150° or 360°
- normal spray
- connection dimension: DN15
- maximum flow rate at 3 bar: 10 l/min
- ceramic cartridge
- connection type: G 3/8 connections
- temperature limitation adjustable
- suitable for continuous flow water heaters

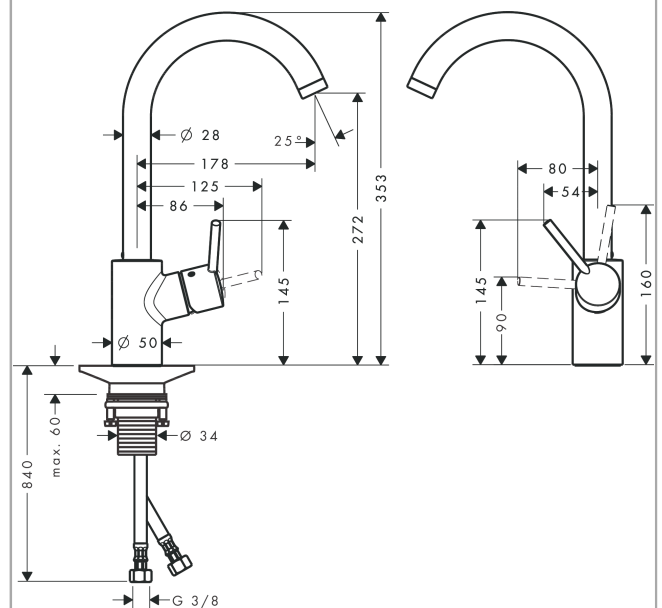
Technology



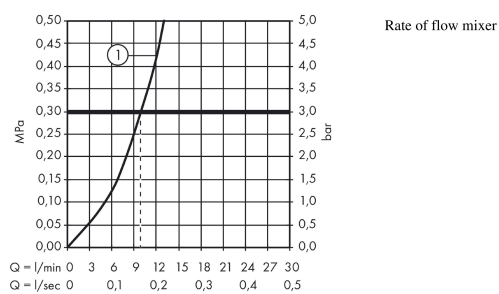
Product image



Scale drawing



Flowchart



Talis M52

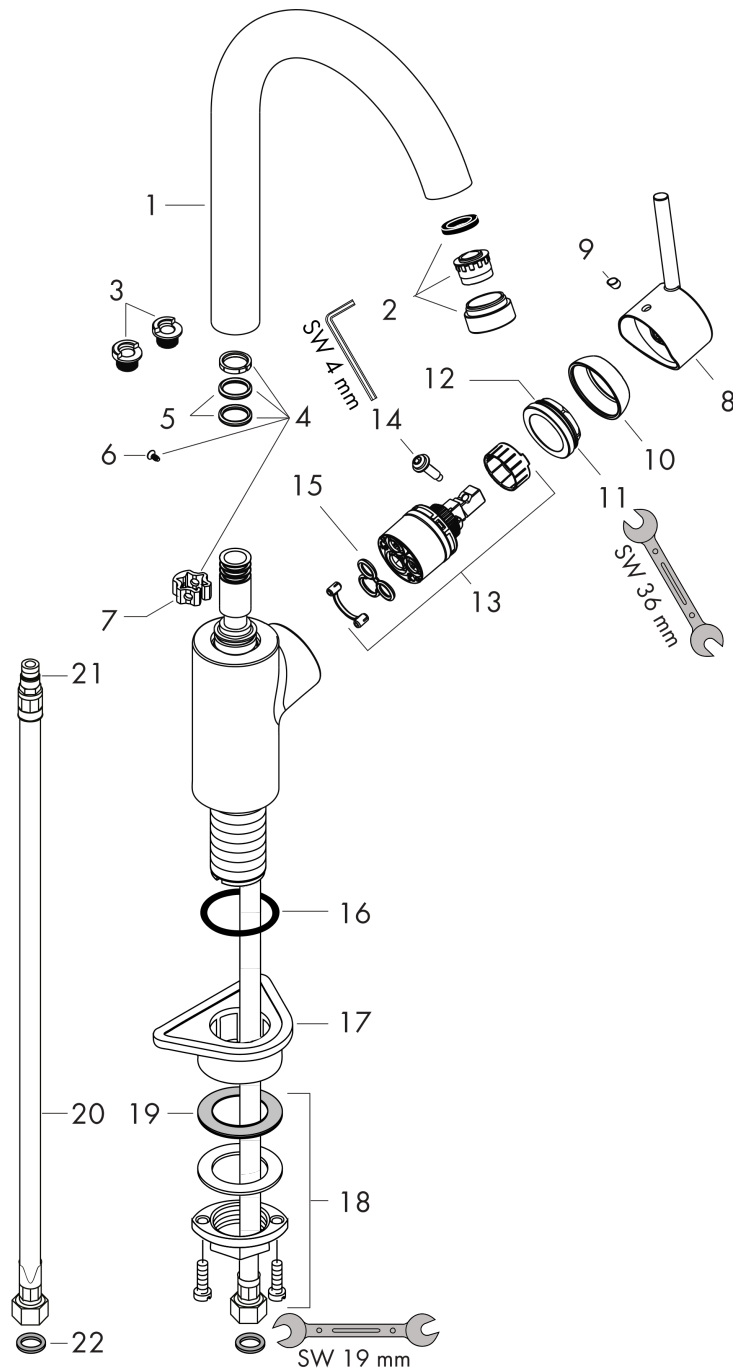
Single lever kitchen mixer 270, 1jet

Surfaces: **Chrome** Article Number: **14870000**



Exploded Drawing

Year of production: >10/10



Talis M52

Single lever kitchen mixer 270, 1jet

Surfaces: **Chrome** Article Number: **14870000**



Spare part list

Year of production: >10/10

Pos.	Description	Article Number	Price	PU
1	spout cpl.	95559000	-	1
2	aerator M24x1 (15 l/min)	97691000	-	1
3	set of locating rings (110° / 150°)	98486000	-	1
4	sealing set	92646000	-	1
5	O-Ring 14x2,5	98189000	-	1
6	screw	97662000	-	1
7	axialring	97558000	-	1
8	handle	95560000	-	1
9	screw cover	96338000	-	1
10	flange	95498000	-	1
11	nut	97209000	-	1
12	O-ring 37x2	92115000	-	1
13	cartridge, assy	92730000	-	1
14	locking screw for handle	95140000	-	1
15	seal	95008000	-	1
16	O-ring 37x3	98476000	-	1
17	support	97523000	-	1
18	fixing set (Ø 34)	95049000	-	1
19	lever collar	97548000	-	1
20	connection hose 900 mm M8x0,75 G3/8	96316000	-	1
21	O-ring 7x1,5	98422000	-	1
a	set of locating rings (60° / 80°)	92259000	-	1