

Mirto Outdoor

SMALL TABLES

2015

Antonio Citterio



Description

Square or rectangular and available in different sizes and finishes, the Mirto Outdoor small tables stand out for their purity of shape, timeless elegance and quality details. Their light frames in die-cast aluminium are combined with different types of tops: in painted aluminium, in porcelain stoneware and with enamelled lava stone tiles decorated with reproductions of traditional Sicilian lace. This latest version uses a special material for the decoration, obtained by shattering the glass of monitors and discarded electronic instruments, and applying it to the surface of the tiles through an exclusive manufacturing process.

Technical information

Frame

die-cast aluminium and extrusions with polyurethane painting

Top

aluminium sheet with polyurethane painting, porcelain stoneware or enamelled lava stone on aluminium top

Frame and top (MI54T-MI55_5)

die-cast aluminium with polyurethane painting

Ferrules

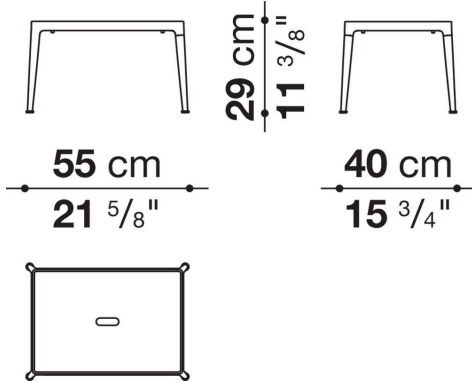
thermoplastic elastomer

Waterproof cover cloth

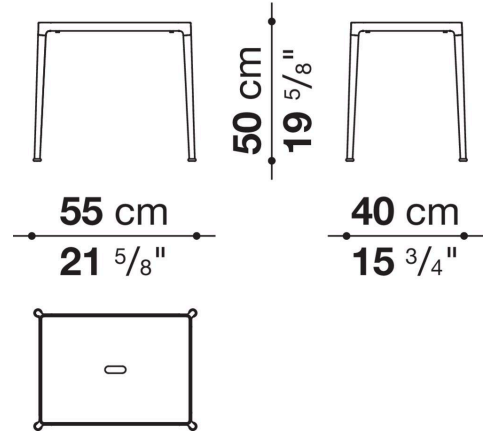
PES fabric coated on one side in PU

Technical drawings

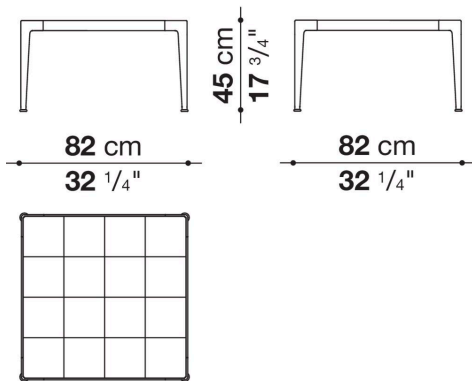
MI54T



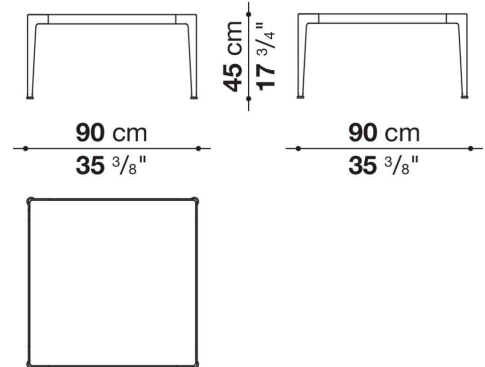
MI55_5



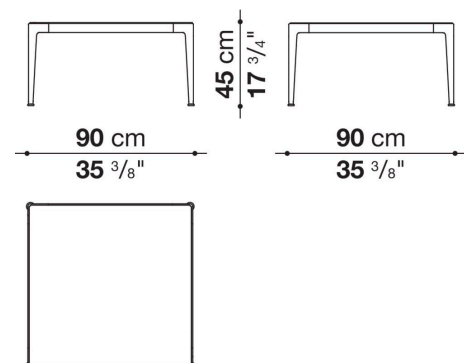
TMO82Q_4



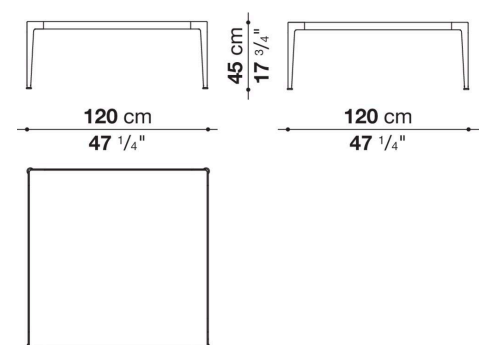
MI90Q_4

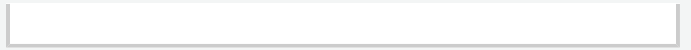
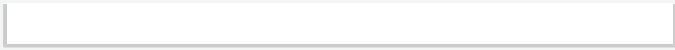


MI90Q_4G

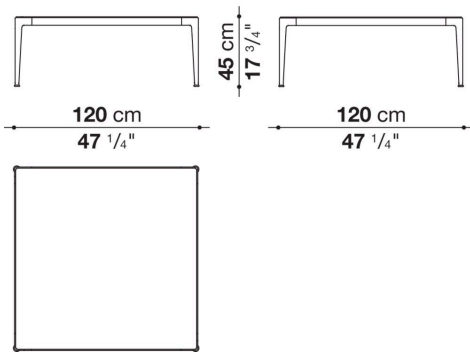


MI120Q_4

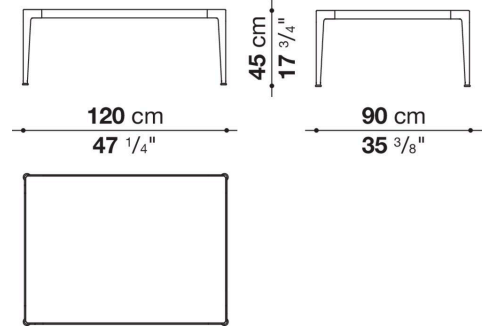




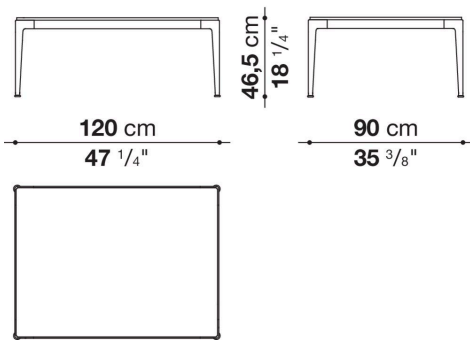
MI120Q_4G



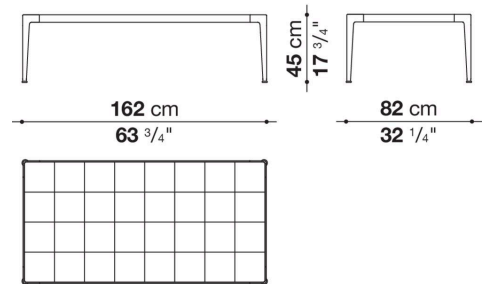
MI120_4



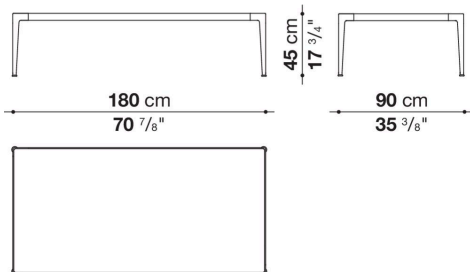
MI120_4G



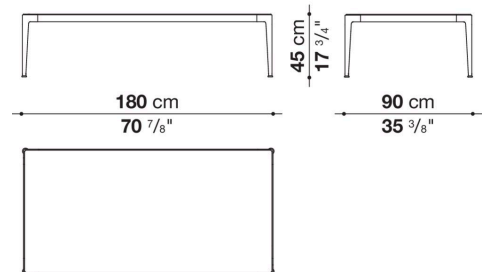
TMO162_4



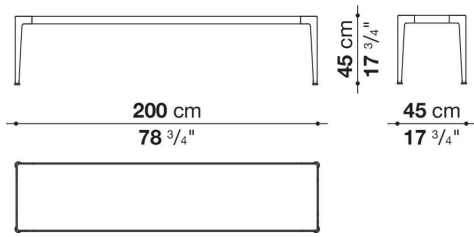
MI180_4



MI180_4G



MI200_4



MI200_4G

