
Fat-Fat Outdoor

SMALL TABLES

2019

Patricia Urquiola



Description

Round with a light steel rod frame, and available in different sizes and heights, the Fat-Fat Outdoor small tables come in two versions: the first has a steel tray top painted to match the frame; the second has a marble-effect porcelain stoneware top in two finishes.

Technical information

Frame

steel profiles

Top

porcelain stoneware or steel sheet

Tray

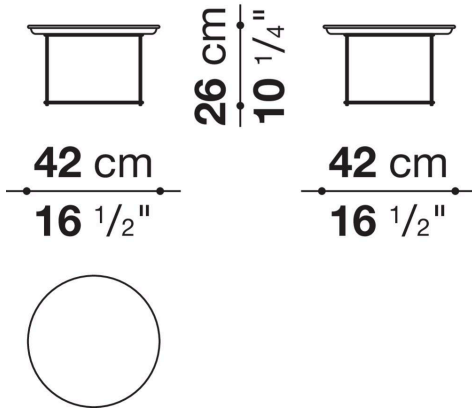
steel sheet

Ferrules

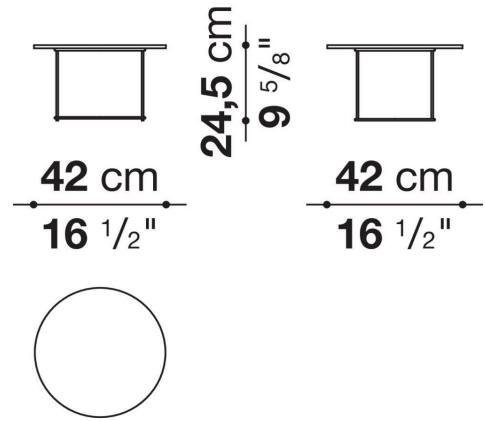
thermoplastic material

Technical drawings

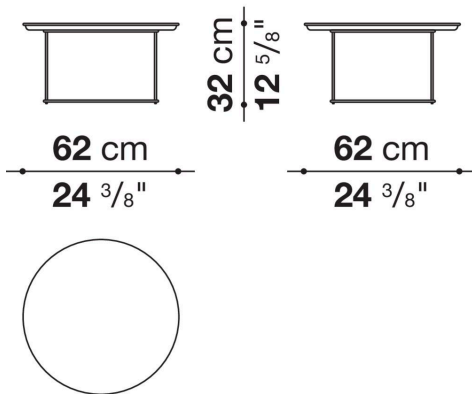
OTF42



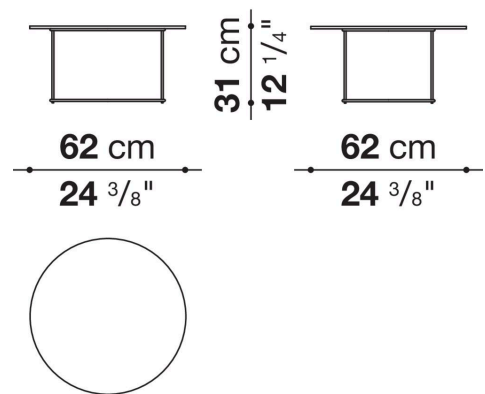
OTF42G



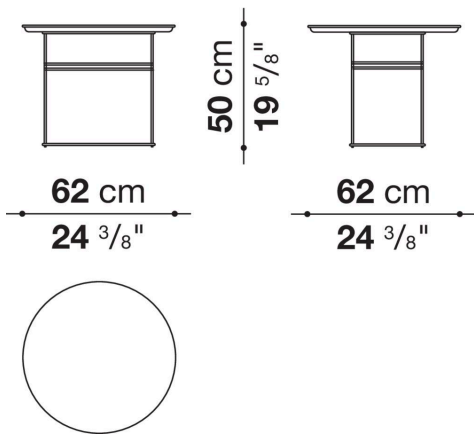
OTF62



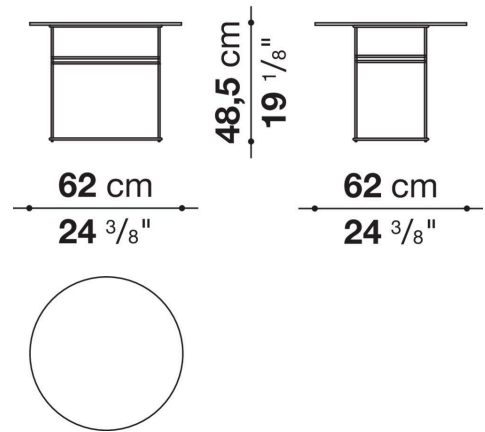
OTF62G



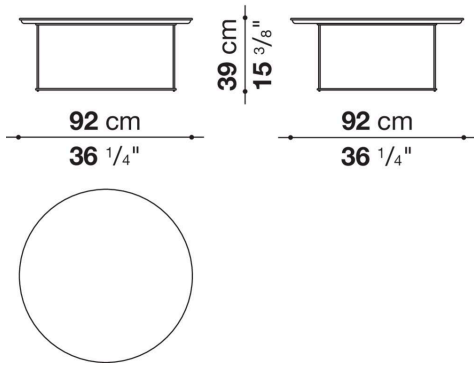
OTF62A



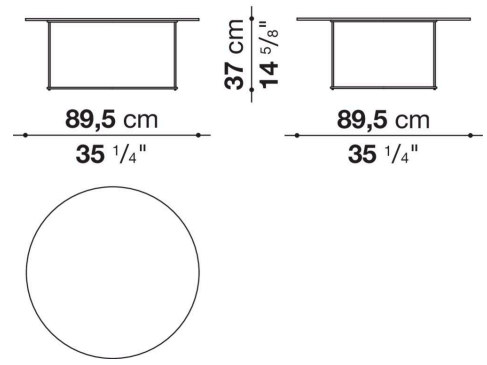
OTF62AG



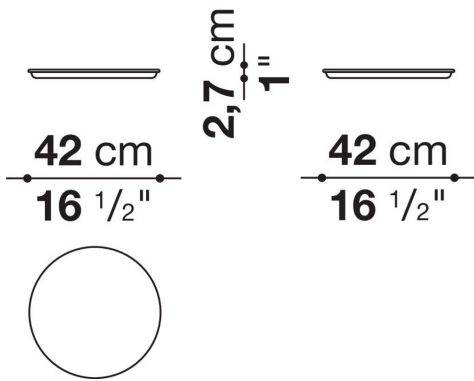
OTF92



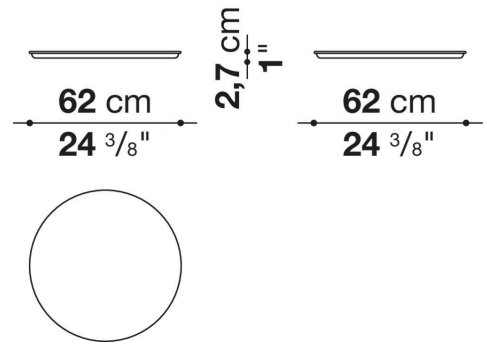
OTF92G



OF42V



OF62V



OF92V

