

# KEPLER PETITE

*Arihiro Miyake*

Small version of the Kepler lamp only with down light. Suspension lamp in extruded aluminum powder coated. Available versions in white, black and the new gold finish. The continuous line is made through a three-dimensional process of extruded aluminum engineered by Nemo and it is designed based on the geometric principle of the Moebius strip.



# DOWNLIGHT 2700K

---

## LAMPING

Source	Linear LED
Total power	60W
Emission	diffused downlight
Switching	dimmable 1-10V
Tension	110/240V
Color temperature	2700K
Luminous flux	1954
Typ CRI	85
Energy class	A+
Materials	aluminium + PC
Notes	adjustable cable length from 2,5m to 0,4m, DALI version on request
Net lamp weight	1,3 kg

## Codes

KESLWW54  
KESLNN54  
KESLOW54

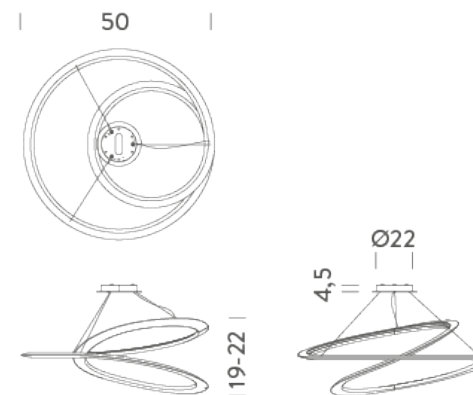
## Structure

white  
black  
gold painted

## PACKAGE

Package 01 Dimension: 50x50x22 cm / Gross weight: 3,1 kg

## Certificazioni



# DOWNLIGHT 3000K

---

## LAMPING

Source	Linear LED
Total power	60W
Emission	diffused downlight
Switching	dimmable 1-10V
Tension	110/240V
Color temperature	3000K
Luminous flux	1954lm
Typ CRI	85
Energy class	A+
Materials	aluminium + PC
Notes	adjustable cable length from 2,5m to 0,4m, DALI version on request
Net lamp weight	1,3 kg

## Codes

KESLWW52  
KESLNN52  
KESLOW52

## Structure

white  
black  
gold painted

## PACKAGE

Package 01 Dimension: 50x50x22 cm / Gross weight: 3,1 kg

## Certificazioni

