

**AXOR Urquiola**  
**Single lever basin mixer 130 with pop-up waste set**  
 Surfaces: **Chrome** Article Number: **11020000**



**product features**

- consists of: single lever basin mixer, waste set
- ComfortZone 130
- projection 139 mm
- spray type: normal spray
- maximum flow rate at 3 bar: 5 l/min
- ceramic cartridge
- temperature limitation adjustable
- suitable for continuous flow water heaters
- connection type: G 3/8 connections
- connection dimension: DN15
- pop-up waste set G 1 1/4

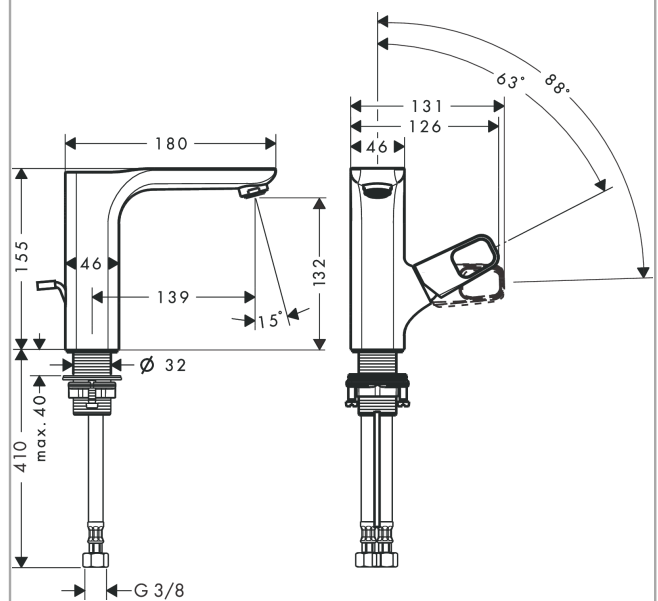
**Technology**



**Product image**



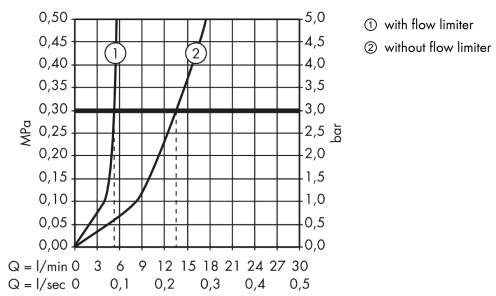
**Scale drawing**



**AXOR Urquiola**  
**Single lever basin mixer 130 with pop-up waste set**  
 Surfaces: **Chrome** Article Number: **11020000**



## Flowchart

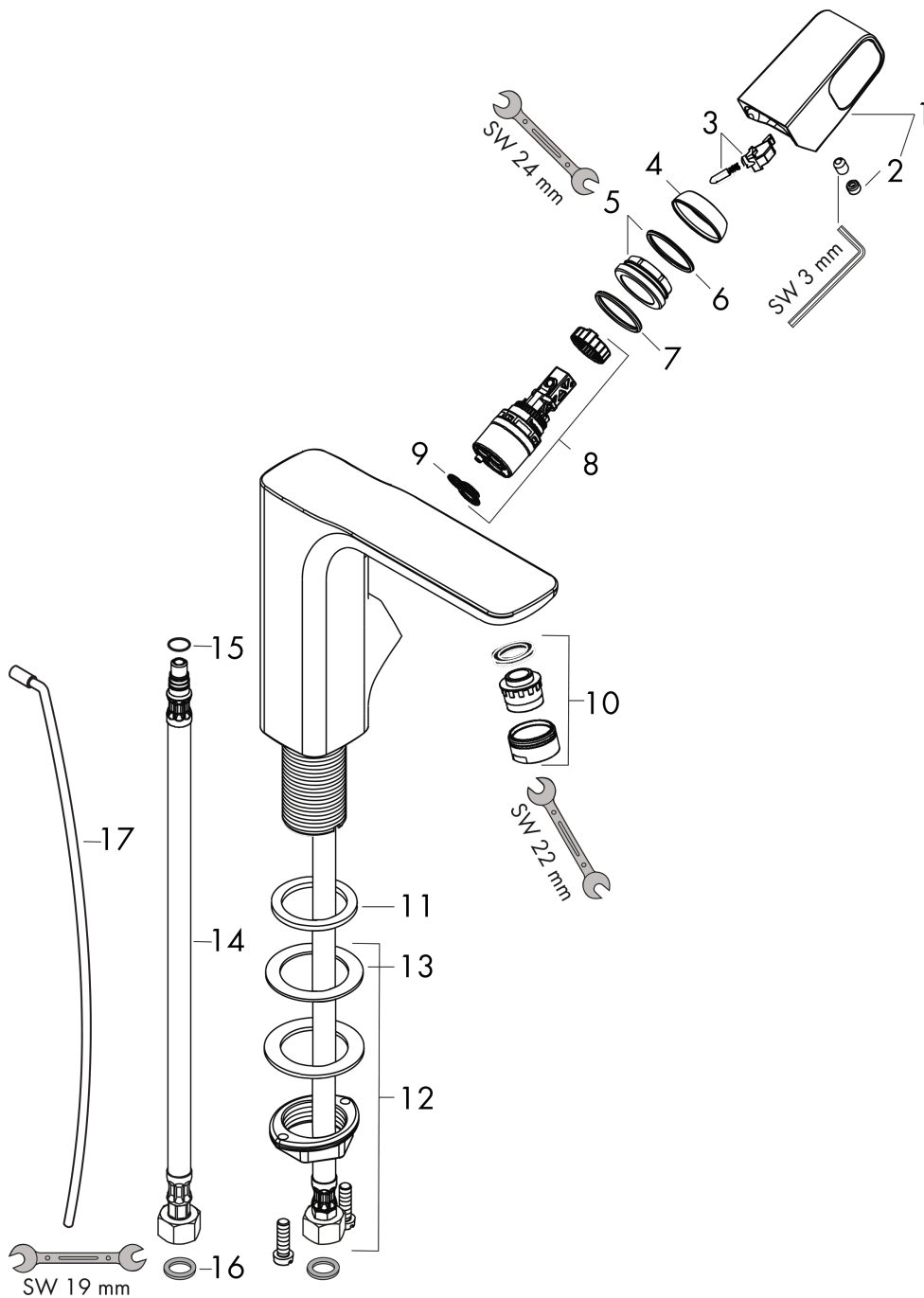


**AXOR Urquiola**  
**Single lever basin mixer 130 with pop-up waste set**  
Surfaces: **Chrome**    Article Number: **11020000**



## Exploded Drawing

Year of production: >10/10



**AXOR Urquiola**  
**Single lever basin mixer 130 with pop-up waste set**  
 Surfaces: **Chrome** Article Number: **11020000**



## Spare part list

Year of production: >10/10

Pos.		Article Number	Price	PU
1	handle	11093000	-	1
2	screw cover	96762000	-	1
3	spring with sleeve	92462000	-	1
4	flange	98863000	-	1
5	nut	95178000	-	1
6	O-Ring 22x2	98185000	-	1
7	O-ring 25x2	98389000	-	1
8	cartridge, assy	97685000	-	1
9	seal	98865000	-	1
10	aerator M24x1 (5 l/min)	13185000	-	1
11	flat seal	98749000	-	1
12	fixing set (Ø 32)	13961000	-	1
13	lever collar	97548000	-	1
14	connection hose 450 mm M8x0,75 G3/8	97206000	-	1
15	O-ring 7x1,5	98422000	-	1
16	sealing set	95581000	-	1
17	pull rod	96923000	-	1
a	fixation extension 35 mm	13898000	-	1
b	aerator M24x1 (3,5 l/min)	92508000	-	1
c	aerator M24x1 (4,5 l/min)	92877000	-	1
d	aerator swivelling M24x1 (5 l/min)	95928000	-	1